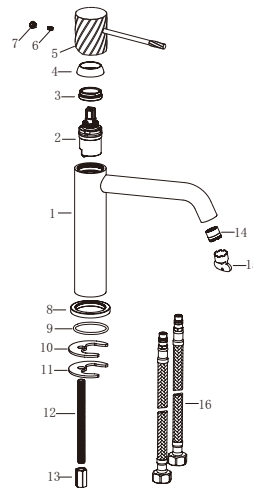


PRODUCT INFORMATION SUMMARY



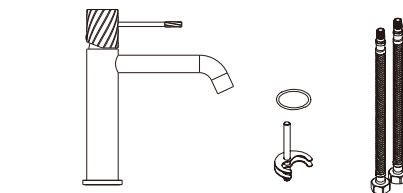
Ref.	EAN	Finish
BDB063-1	8435668060387	Chrome
BDB063-1BGM	8435668060394	Black gun metal
BDB063-1NG	8435668060400	Matte black
BDB063-1ORC	8435668060431	Brushed rose gold
BDB063-1OC	8435668060424	Brushed gold
BDB063-1NQ	8435668060417	Brushed nickel



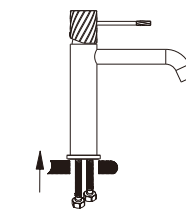
CODE	NAME	MATERIAL	REF
1	Main body	brass	
2	Cartridge	26mmup	CRT007*
3	Cartridge cover	brass	
4	Decorative cover	ABS	
5	handle	brass	
6	screw	SUS 304/5x5mm	
7	Button	ABS	
8	base	brass	
9	O-ring	NBR	
10	Rubber washer	NBR	
11	Metal washer	SS 304	
12	M8-Screw	SS 304	
13	M8-Nut	brass	
14	Aerator	ABS/M16.5x1mm	SAT-AIR060*
15	Aerator spanner	plastic	SAT-KEY*
16	Connecting Pipe	TAQ-PEX-DN6-ACB H3/8-M10X1 L12-500-R&B	SAT-HOSES7*

* CONSULTAR PARA ACABADOS DE COLOR

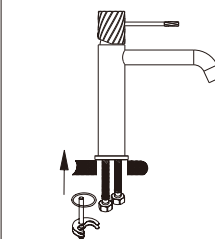
Installing instruction



Step 1. Check all spare parts ready

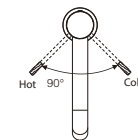
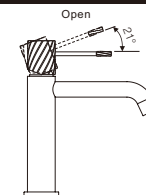


Step 2. Install inlet pipe to faucet body



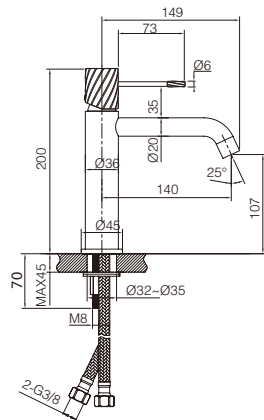
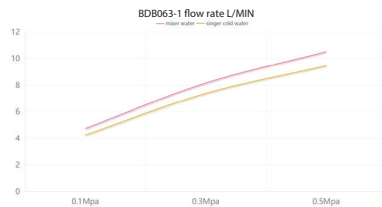
Step 3. Install screw stick to faucet body

Usage function instruction



FLOW RATE

Detalles	
FLOW RATE REF	BDB063-1
mixer water 0.1Mpa(L/MIN)	4.74
mixer water 0.3Mpa(L/MIN)	8.16
mixer water 0.5Mpa(L/MIN)	10.52
singer cold water 0.1Mpa(L/MIN)	4.25
singer cold water 0.3Mpa(L/MIN)	7.38
singer cold water 0.5Mpa(L/MIN)	9.47



Product sizes (cm)	30*21*5.9
Weight (kg)	0.935
Guarantee	5 years
Max Preassure (bar)	5
Min Preassure (bar)	0.5
Optimum preassure (bar)	1-4 (Recommended 3)
Max. temperature	85°C
Min temperature	65°C

CERTIFIES

That all our products, provided that they are used in normal conditions or installed in accordance with current standards, are guaranteed against any manufacturing defect for a period of five years, except for products purchased before January 1, 2020, which will have the mandatory coverage of 2 years from the date of invoice.

Requirements and exclusions

Failure to comply with the instructions for assembly, use and maintenance of our products on the packaging and in our catalogue and published on our website: www.imexproducts.es, releases IMEX PRODUCTS, S.L. from any liability.

In any case, the acceptance of the defect by our technical department is necessary. In addition, transport costs will be charged only in the event that on IMEX PRODUCTS, S.L. technician determines the proper functioning of our products.

IMEX PRODUCTS, S.L. will decide to repair the product or replace it. It will be necessary to present the purchase invoice.

Assembly, maintenance or repairs carried out by non-specialists are excluded from the warranty.

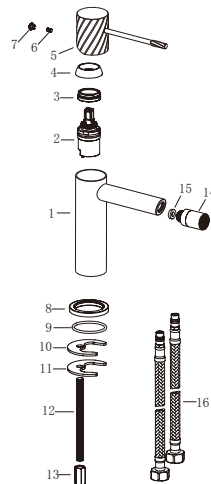
Wearing parts such as hoses, handles, seals, filters, aerators, etc. are not covered by the warranty.



**PRODUCT
INFORMATION
SUMMARY**



Ref.	EAN	Finish
BDB063-2	8435668060448	Chrome
BDB063-2BGM	8435668060455	Black gun metal
BDB063-2NG	8435668060462	Matte black
BDB063-2ORC	8435668060493	Brushed rose gold
BDB063-2OC	8435668060486	Brushed gold
BDB063-2NQ	8435668060479	Brushed nickel

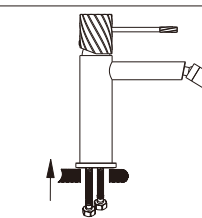
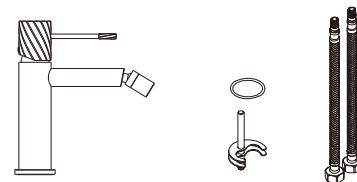


CODE	NAME	MATERIAL	REF
1	Main body	brass	
2	Cartridge	26mm up	CRT007*
3	Cartridge cover	brass	
4	Decorative cover	ABS	
5	handle	brass	
6	screw	SUS 304/5x5mm	
7	Button	ABS	
8	base	brass	
9	O-ring	NBR	
10	Rubber washer	NBR	
11	Metal washer	SS 304	
12	M8-Screw	SS 304	
13	M8-Nut	brass	
14	Aerator	ABS/16mm	SAT-AIR*
15	Washer	NBR	SAT-KEY*
16	Connecting Pipe	TAQ-PEX-DN6-ACB H3/8-M10X1 L12-500-R&B	SAT-HOSES7*

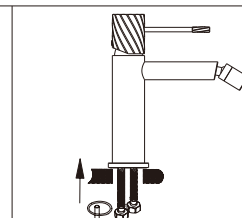
* CONSULTAR PARA ACABADOS DE COLOR

Installing instruction

Step 1. Check all spare parts ready

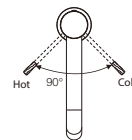
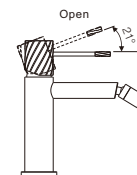


Step 2. Install inlet pipe to faucet body



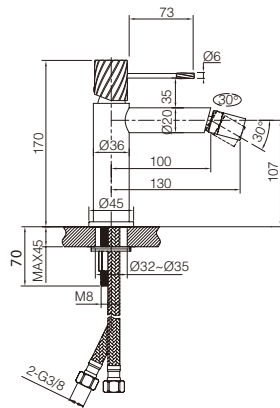
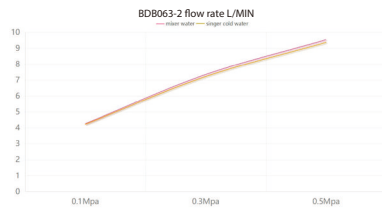
Step 3. Install screw stick to faucet body

Usage function instruction



FLOW RATE

Detalles	
FLOW RATE REF	BDB063-2
mixer water 0.1Mpa(L/MIN)	4.26
mixer water 0.3Mpa(L/MIN)	7.35
mixer water 0.5Mpa(L/MIN)	9.54
singer cold water 0.1Mpa(L/MIN)	4.22
singer cold water 0.3Mpa(L/MIN)	7.22
singer cold water 0.5Mpa(L/MIN)	9.37



Product sizes (cm)	26.7*18.1*5.9
Weight (kg)	0.885
Guarantee	5 years
Max Preasure (bar)	5
Min Preasure (bar)	0.5
Optimum preasure (bar)	1-4 (Recommended 3)
Max. temperature	85°C
Min temperature	65°C

CERTIFIES

That all our products, provided that they are used in normal conditions or installed in accordance with current standards, are guaranteed against any manufacturing defect for a period of five years, except for products purchased before January 1, 2020, which will have the mandatory coverage of 2 years from the date of invoice.

Requirements and exclusions

Failure to comply with the instructions for assembly, use and maintenance of our products on the packaging and in our catalogue and published on our website: www.imexproducts.es, releases IMEX PRODUCTS, S.L. from any liability.

In any case, the acceptance of the defect by our technical department is necessary. In addition, transport costs will be charged only in the event that on IMEX PRODUCTS, S.L. technician determines the proper functioning of our products.

IMEX PRODUCTS, S.L. will decide to repair the product or replace it. It will be necessary to present the purchase invoice.

Assembly, maintenance or repairs carried out by non-specialists are excluded from the warranty.

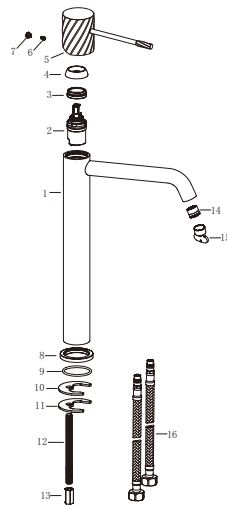
Wearing parts such as hoses, handles, seals, filters, aerators, etc. are not covered by the warranty.



**PRODUCT
INFORMATION
SUMMARY**



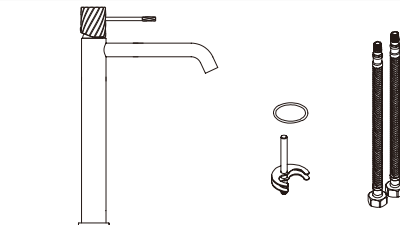
Ref.	EAN	Finish
BDB063-3	8435668060509	Chrome
BDB063-3BGM	8435668060516	Black gun metal
BDB063-3NG	8435668060523	Matte black
BDB063-3ORC	8435668060554	Brushed rose gold
BDB063-3OC	8435668060547	Brushed gold
BDB063-3NQ	8435668060530	Brushed nickel



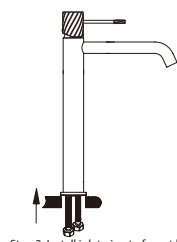
CODE	NAME	MATERIAL	REF
1	Main body	brass	
2	Cartridge	26mm up	CRT1007*
3	Cartridge cover	brass	
4	Decorative cover	ABS	
5	Handle	Brass	
6	screw	SUS 304/5x5mm	
7	Button	ABS	
8	base	brass	
9	O-ring	NBR	
10	Rubber washer	NBR	
11	Metal washer	SS 304	
12	M8-Screw	SS 304	
13	M8-Nut	brass	
14	Aerator	ABS/M16.5x1mm	SAT-AIR060*
15	Aerator spanner	ABS/16.5mm	SAT-KEY*
16	Connecting Pipe	TAQ-PEX-DN6-ACB H3/8-M10X1 L12-500-R&B	SAT-HOSES7*

* CONSULTAR PARA ACABADOS DE COLOR

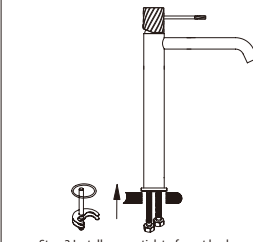
Installing instruction



Step 1. Check all spare parts ready

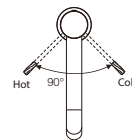
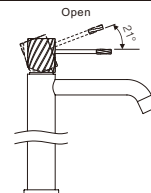


Step 2. Install inlet pipe to faucet body



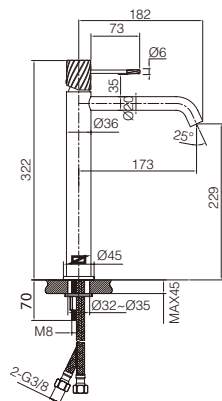
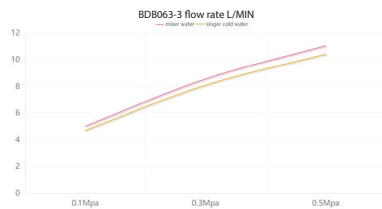
Step 3. Install screw stick to faucet body

Usage function instruction



FLOW RATE

Detalles	
FLOW RATE REF	BDB063-3
mixer water 0.1Mpa(L/MIN)	5
mixer water 0.3Mpa(L/MIN)	8.55
mixer water 0.5Mpa(L/MIN)	11.04
singer cold water 0.1Mpa(L/MIN)	4.69
singer cold water 0.3Mpa(L/MIN)	8.08
singer cold water 0.5Mpa(L/MIN)	10.41



Product sizes (cm)	39*21*5.9
Weight (kg)	1.153
Guarantee	5 years
Max Preasure (bar)	5
Min Preasure (bar)	0.5
Optimum preasure (bar)	1-4 (Recommended 3)
Max. temperature	85°C
Min temperature	65°C

CERTIFIES

That all our products, provided that they are used in normal conditions or installed in accordance with current standards, are guaranteed against any manufacturing defect for a period of five years, except for products purchased before January 1, 2020, which will have the mandatory coverage of 2 years from the date of invoice.

Requirements and exclusions

Failure to comply with the instructions for assembly, use and maintenance of our products on the packaging and in our catalogue and published on our website: www.imexproducts.es, releases IMEX PRODUCTS, S.L. from any liability.

In any case, the acceptance of the defect by our technical department is necessary. In addition, transport costs will be charged only in the event that on IMEX PRODUCTS, S.L. technician determines the proper functioning of our products.

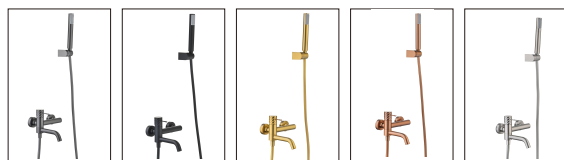
IMEX PRODUCTS, S.L. will decide to repair the product or replace it. It will be necessary to present the purchase invoice.

Assembly, maintenance or repairs carried out by non-specoalists re excluded from the warranty.

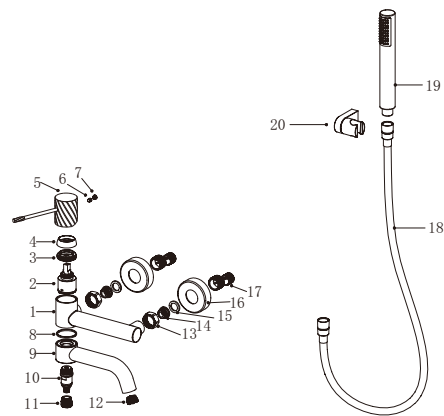
Wearing parts such as hoses, handles, seals, filters, aerators, etc. are not covered by the warranty.



**PRODUCT
INFORMATION
SUMMARY**



Ref.	EAN	Finish
BDB063-4	8435668060561	Chrome
BDB063-4BGM	8435668060578	Black gun metal
BDB063-4NG	8435668060585	Matte black
BDB063-4ORC	8435668060615	Brushed rose gold
BDB063-4OC	8435668060608	Brushed gold
BDB063-4NQ	8435668060592	Brushed nickel



CODE	NAME	MATERIAL	REF
1	Body	Brass	
2	Cartridge	35mm	CRT006*
3	Nut	Brass	
4	Cover	ABS	
5	Handle	Brass	
6	Screw	SUS 304	
7	Cover	ABS	
8	Washer	POM	
9	Outlet pipe	Brass	
10	Cartridge	Brass/24mm	
11	Connector	Brass	
12	Aerator	ABS/M18.5x1mm	SAT-AIR018*
13	Nut	Brass	
14	Valve	SUS 304	
15	Rubber washer	NBR	
16	Cover	SUS 304	
17	Cabrio leg	SUS 304	
18	Hose	PVC	FLX010*
19	Shower hand	ABS	MDR015*
20	Shower base	ABS	SMD007*

* CONSULTAR PARA ACABADOS DE COLOR

Installing instruction

Step 1. Connect curved leg with the inlet pipe inside the wall

Step 2. Connect decorative cover to curved leg

Step 3. Install shower faucet properly, and connect to curved leg on the wall

Step 4. Test function of shower set, clean the set

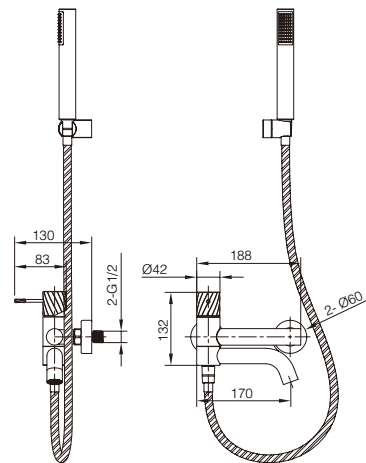
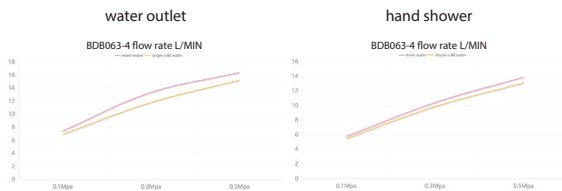
Usage function instruction

hot
cold
OPEN
CLOSE
90°

OPEN
CLOSE

FLOW RATE

Detailles	
FLOW RATE REF	BDB063-4
water outlet mixer water 0.1Mpa(L/MIN)	7.41
water outlet mixer water 0.3Mpa(L/MIN)	13.33
water outlet mixer water 0.5Mpa(L/MIN)	16.38
water outlet singer cold water 0.1Mpa(L/MIN)	6.89
water outlet singer cold water 0.3Mpa(L/MIN)	11.79
water outlet singer cold water 0.5Mpa(L/MIN)	15.2
hand shower mixer water 0.1Mpa(L/MIN)	5.76
hand shower mixer water 0.3Mpa(L/MIN)	10.38
hand shower mixer water 0.5Mpa(L/MIN)	13.86
hand shower singer cold water 0.1Mpa(L/MIN)	5.46
hand shower singer cold water 0.3Mpa(L/MIN)	9.83
hand shower singer cold water 0.5Mpa(L/MIN)	13.07



Product sizes (cm)	28*16*12.2
Weight (kg)	1.85
Guarantee	5 years
Max Preassure (bar)	5
Min Preassure (bar)	0.5
Optimum preassure (bar)	1-4 (Recommended 3)
Max. temperature	85°C
Min temperature	65°C

CERTIFIES

That all our products, provided that they are used in normal conditions or installed in accordance with current standards, are guaranteed against any manufacturing defect for a period of five years, except for products purchased before January 1, 2020, which will have the mandatory coverage of 2 years from the date of invoice.

Requirements and exclusions

Failure to comply with the instructions for assembly, use and maintenance of our products on the packaging and in our catalogue and published on our website: www.imexproducts.es, releases IMEX PRODUCTS, S.L. from any liability.

In any case, the acceptance of the defect by our technical department is necessary. In addition, transport costs will be charged only in the event that on IMEX PRODUCTS, S.L. technician determines the proper functioning of our products.

IMEX PRODUCTS, S.L. will decide to repair the product or replace it. It will be necessary to present the purchase invoice.

Assembly, maintenance or repairs carried out by non-specialists are excluded from the warranty.

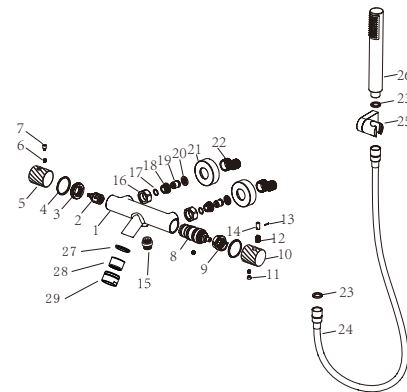
Wearing parts such as hoses, handles, seals, filters, aerators, etc. are not covered by the warranty.



PRODUCT INFORMATION SUMMARY



Ref.	EAN	Finish
BTB063-4	8435668059664	Chrome
BTB063-4BGM	8435668059671	Black gun metal
BTB063-4NG	8435668059688	Matte black
BTB063-4ORC	8435668059718	Brushed rose gold
BTB063-4OC	8435668059701	Brushed gold
BTB063-4NQ	8435668059695	Brushed nickel



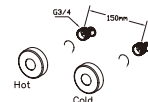
CODE	NAME	MATERIAL	REF	CODE	NAME	MATERIAL	REF
1	Body	Brass	20	20	Rubber washer	NBR	
2	Cartridge	25mm up	21	21	Cover	SUS 304	
3	Nut	Brass	22	22	Cabrio leg	SUS 304	
4	Washer	POM	23	23	Rubber washer	NBR	
5	Handle	Brass	24	24	Hose	PVC	FLX010*
6	Screw	SUS 304	25	25	Shower seat	ABS	SMD007*
7	Handle lever	Brass	26	26	Shower hand	ABS	MDR015*
8	Cartridge	32mm	27	27	Rubber washer	NBR	
9	Washer	POM	28	28	Aerator	24mm	
10	Handle	Brass	29	29	percolator	SUS 304	
11	Cover	ABS					
12	Spring	SUS 304					
13	Pin	SUS 304					
14	Handle lever	Brass					
15	Connect	Brass					
16	Nut	Brass					
17	O-ring	NBR					
18	Screw	SUS 304					
19	Valve	ABS					

* CONSULTAR PARA ACABADOS DE COLOR

Installing instruction



Step 1. Connect curved leg with the inlet pipe inside the wall



Step 2. Connect decorative cover to curved leg

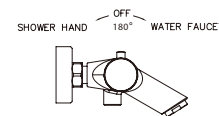
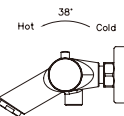


Step 3. Install shower faucet properly, and connect to curved leg on the wall



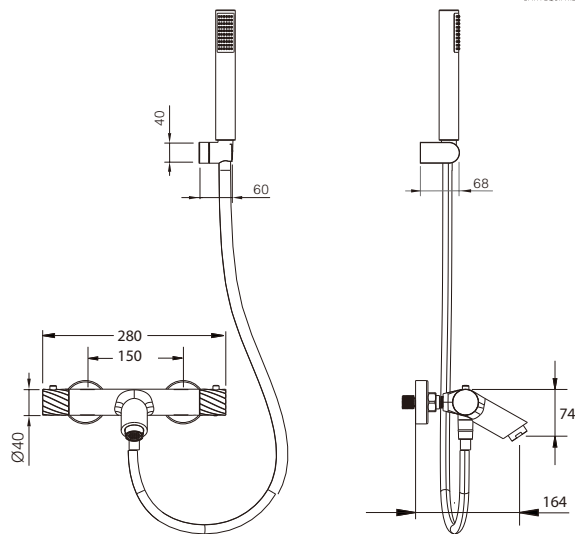
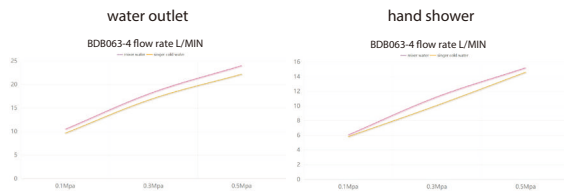
Step 4. Test function of shower set, clean the set

Usage function instruction



FLOW RATE

Detalles	
FLOW RATE REF	BTB063-4
water outlet mixer water 0.1Mpa(L/MIN)	10.48
water outlet mixer water 0.3Mpa(L/MIN)	18.37
water outlet mixer water 0.5Mpa(L/MIN)	24.02
water outlet singer cold water 0.1Mpa(L/MIN)	9.65
water outlet singer cold water 0.3Mpa(L/MIN)	17.04
water outlet singer cold water 0.5Mpa(L/MIN)	22.2
hand shower mixer water 0.1Mpa(L/MIN)	6.05
hand shower mixer water 0.3Mpa(L/MIN)	11.24
hand shower mixer water 0.5Mpa(L/MIN)	15.2
hand shower singer cold water 0.1Mpa(L/MIN)	5.82
hand shower singer cold water 0.3Mpa(L/MIN)	10.8
hand shower singer cold water 0.5Mpa(L/MIN)	14.6



Product sizes (cm)	33*19.5*10.5
Weight (kg)	2.6
Guarantee	5 years
Max Preassure (bar)	5
Min Preassure (bar)	0.5
Optimum preassure (bar)	1-4 (Recommended 3)
Max. temperature	85°C
Min temperature	65°C

CERTIFIES

That all our products, provided that they are used in normal conditions or installed in accordance with current standards, are guaranteed against any manufacturing defect for a period of five years, except for products purchased before January 1, 2020, which will have the mand atory coverage of 2 years from the date of invoice.

Requirements and exclusions

Failure to comply with the instructions for assembly, use and maintenance of our products on the packaging and in our catalogue and published on our website: www.imexproducts.es, releases IMEX PRODUCTS, S.L. from any liability.

In any case, the acceptance of the defect by our technical department is necessary. In addition, transport costs will be charged only in the event that on IMEX PRODUCTS, S.L. technician determines the proper functioning of our products.

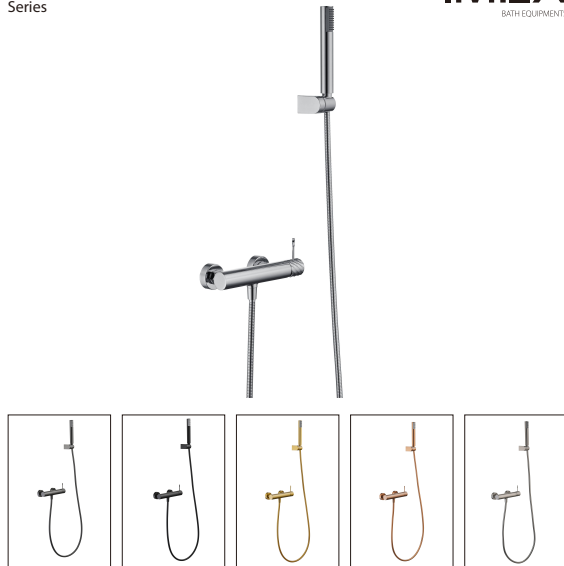
IMEX PRODUCTS, S.L. will decide to repair the product or replace it. It will be necessary to present the purchase invoice.

Assembly, maintenance or repairs carried out by non-specoalists re excluded from the warranty.

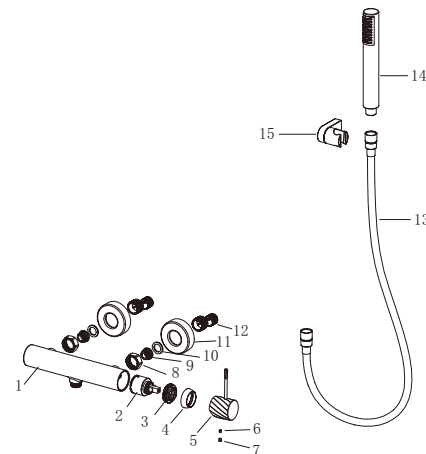
Wearing parts such as hoses, handles, seals, filters, aerators, etc. are not covered by the warranty.



**PRODUCT
INFORMATION
SUMMARY**

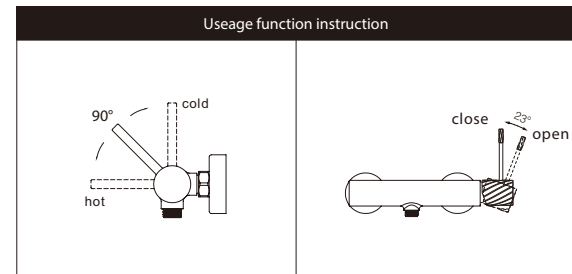
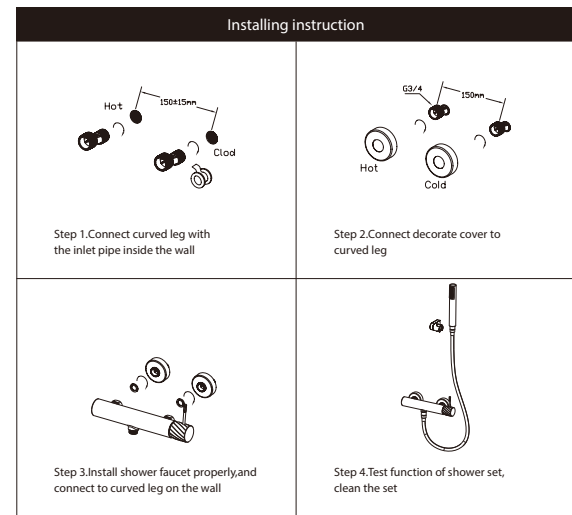


Ref.	EAN	Finish
BDB063-5	8435668060622	Chrome
BDB063-5BGM	8435668060639	Black gun metal
BDB063-5NG	8435668060646	Matte black
BDB063-5ORC	8435668060677	Brushed rose gold
BDB063-5OC	8435668060660	Brushed gold
BDB063-5NQ	8435668060653	Brushed nickel



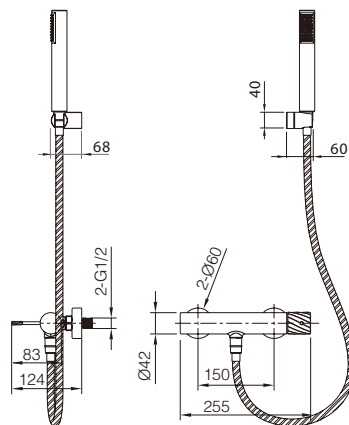
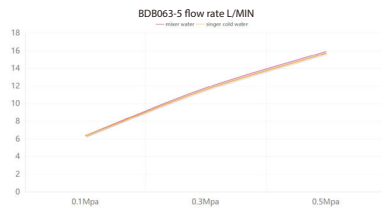
CODE	NAME	MATERIAL	REF
1	Body	Brass	
2	Cartridge	35mm	CRT006*
3	Nut	Brass	
4	Cover	ABS	
5	Handle	Brass	
6	Screw	SUS 304	
7	Cover	ABS	
8	Nut	Brass	
9	Valve	SUS 304	
10	Rubber washer	NBR	
11	Connector	SUS 304	
12	Cabrio leg	SUS 304	
13	Hose	PVC	FLX010*
14	Shower hand	ABS	MDR015*
15	Shower base	ABS	SMD007*

* CONSULTAR PARA ACABADOS DE COLOR



FLOW RATE

Detalles	
FLOW RATE REF	BDB063-5
mixer water 0.1Mpa(L/MIN)	6.37
mixer water 0.3Mpa(L/MIN)	11.76
mixer water 0.5Mpa(L/MIN)	15.9
singer cold water 0.1Mpa(L/MIN)	6.36
singer cold water 0.3Mpa(L/MIN)	11.58
singer cold water 0.5Mpa(L/MIN)	15.7



Product sizes (cm)	28*16*12.2
Weight (kg)	1.95
Guarantee	5 years
Max Preasure (bar)	5
Min Preasure (bar)	0.5
Optimum preasure (bar)	1-4 (Recommended 3)
Max. temperature	85°C
Min temperature	65°C

CERTIFIES

That all our products, provided that they are used in normal conditions or installed in accordance with current standards, are guaranteed against any manufacturing defect for a period of five years, except for products purchased before January 1, 2020, which will have the mand atory coverage of 2 years from the date of invoice.

Requirements and exclusions

Failure to comply with the instructions for assembly, use and maintenance of our products on the packaging and in our catalogue and published on our website: www.imexproducts.es, releases IMEX PRODUCTS, S.L. from any liability.

In any case, the acceptance of the defect by our technical department is necessary. In addition, transport costs will be charged only in the event that on IMEX PRODUCTS, S.L. technician determines the proper functioning of our products.

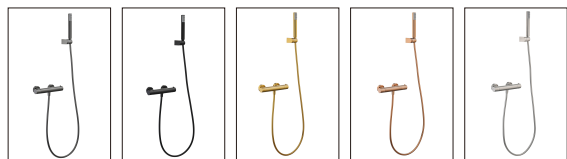
IMEX PRODUCTS, S.L. will decide to repair the product or replace it. It will be necessary to present the purchase invoice.

Assembly, maintenance or repairs carried out by non-specoalists re excluded from the warranty.

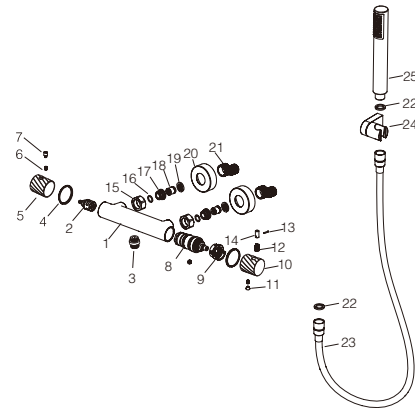
Wearing parts such as hoses, handles, seals, filters, aerators, etc. are not covered by the warranty.



**PRODUCT
INFORMATION
SUMMARY**



Ref.	EAN	Finish
BTB063-5	8435668059725	Chrome
BTB063-5BGM	8435668059732	Black gun metal
BTB063-5NG	8435668059749	Matte black
BTB063-5ORC	8435668059770	Brushed rose gold
BTB063-5OC	8435668059763	Brushed gold
BTB063-5NQ	8435668059756	Brushed nickel



CODE	NAME	MATERIAL	REF	CODE	NAME	MATERIAL	REF
1	Body	Brass	20	20	Cover	SUS 304	
2	Cartridge	21mm	21	21	Cabrio leg	SUS 304	
3	Connect	Brass	???	22	Rubber washer	NBR	
4	Washer	POM		23	Hose	PVC	FLX010*
5	Handle	Brass		24	Shower seat	ABS	SMD007*
6	Screw	SUS 304		25	Shower hand	ABS	MDR015*
7	Handle lever	Brass					
8	Cartridge	32mm	CRT012*				
9	Washer	POM					
10	Handle	Brass					
11	Cover	ABS					
12	Spring	SUS 304					
13	Pin	SUS 304					
14	Handle lever	Brass					
15	Nut	Brass					
16	O-ring	NBR					
17	Screw	SUS 304					
18	Valve	ABS					
19	Rubber washer	NBR					

* CONSULTAR PARA ACABADOS DE COLOR

Installing instruction

Step 1. Connect curved leg with the inlet pipe inside the wall

Step 2. Connect decorate cover to curved leg

Step 3. Install shower faucet properly, and connect to curved leg on the wall

Step 4. Test function of shower set, clean the set

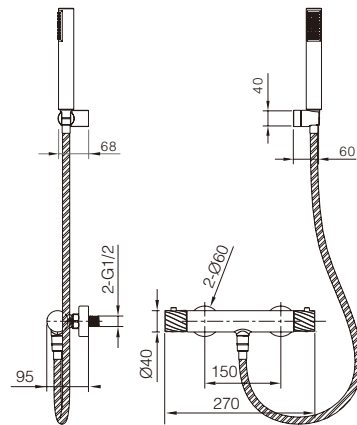
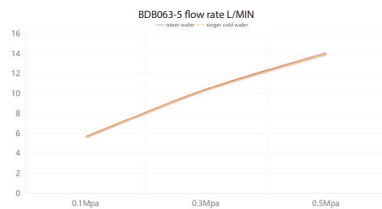
Usage function instruction

Hot 38° Cold

SHOWER HAND 90° OFF

FLOW RATE

Detalles	
FLOW RATE REF	BTB063-5
mixer water 0.1Mpa(L/MIN)	5.71
mixer water 0.3Mpa(L/MIN)	10.44
mixer water 0.5Mpa(L/MIN)	14.1
singer cold water 0.1Mpa(L/MIN)	5.68
singer cold water 0.3Mpa(L/MIN)	10.39
singer cold water 0.5Mpa(L/MIN)	13.96



Product sizes (cm)	33*19.5*10.5
Weight (kg)	2.2
Guarantee	5 years
Max Preassure (bar)	5
Min Preassure (bar)	0.5
Optimum preassure (bar)	1-4 (Recommended 3)
Max. temperature	85°C
Min temperature	65°C

CERTIFIES

That all our products, provided that they are used in normal conditions or installed in accordance with current standards, are guaranteed against any manufacturing defect for a period of five years, except for products purchased before January 1, 2020, which will have the mandatory coverage of 2 years from the date of invoice.

Requirements and exclusions

Failure to comply with the instructions for assembly, use and maintenance of our products on the packaging and in our catalogue and published on our website: www.imexproducts.es, releases IMEX PRODUCTS, S.L. from any liability.

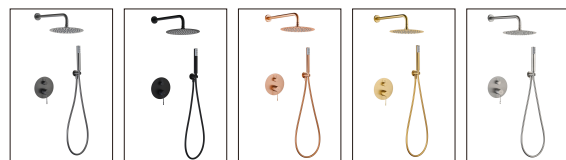
In any case, the acceptance of the defect by our technical department is necessary. In addition, transport costs will be charged only in the event that on IMEX PRODUCTS, S.L. technician determines the proper functioning of our products.

IMEX PRODUCTS, S.L. will decide to repair the product or replace it. It will be necessary to present the purchase invoice.

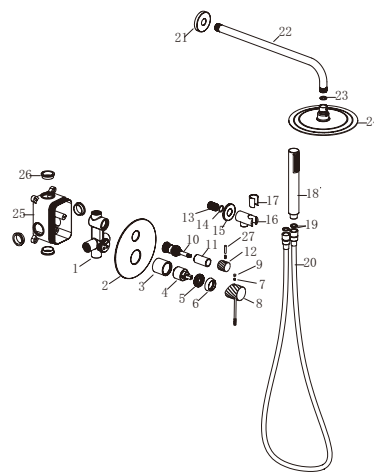
Assembly, maintenance or repairs carried out by non-specialists are excluded from the warranty.

Wearing parts such as hoses, handles, seals, filters, aerators, etc. are not covered by the warranty.





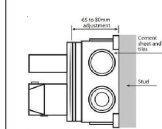
Ref.	EAN	Finish
GPB063	8435668059961	Chrome
GPB063-BGM	8435668059978	Black gun metal
GPB063-NG	8435668059985	Matte black
GPB063-ORC	8435668060011	Brushed rose gold
GPB063-OC	8435668060004	Brushed gold
GPB063-NQ	8435668059992	Brushed nickel



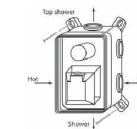
CODE	NAME	MATERIAL	REF	CODE	NAME	MATERIAL	REF
1	Body	Brass		20	Hose	PVC	FLX002*
2	Decorative plate	SUS 304		21	Cover	SUS 304	
3	Cartridge cover	Brass		22	Hose	SUS 304	BPR001*
4	Cartridge	35mm	CRT006*	23	Rubber ring	NBR	
5	Nut	Brass		24	Shower head	SUS 304	RDN002*
6	Decorative cup	ABS		25	BOX	ABS	
7	Screw	SUS 304		26	Rubber ring	NBR	
8	Handle	Brass		27	Handle lever	Brass	
9	Button	ABS					
10	Cartridge	Brass/27mm	CRT060*				
11	Cover	Brass					
12	Handle	Brass					
13	Connect	Brass					
14	O-ring	NBR					
15	Cover	Brass					
16	Body	Brass					
17	Plastic washer	Plastic					
18	Shower	Plastic	MDR015*				
19	Rubber ring	NBR					

* CONSULTAR PARA ACABADOS DE COLOR

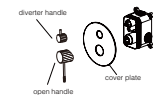
Installing instruction



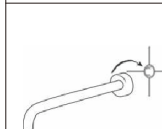
Step 1. Connect curved leg with the inlet pipe inside the wall



Step 2. Connect decorative cover to curved leg



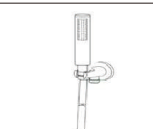
Step 3. Install shower faucet properly, and connect to curved leg on the wall



Step 4. Install shower pipe according to the distance of fix part

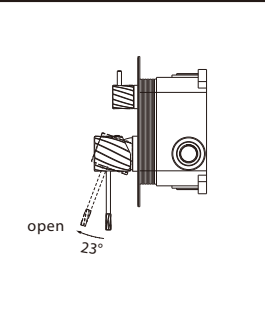
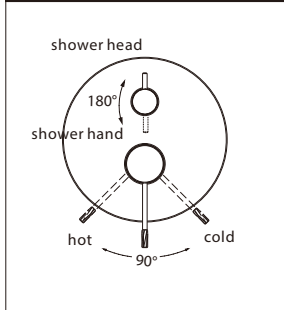


Step 5. Install shower hand and shower head to the set



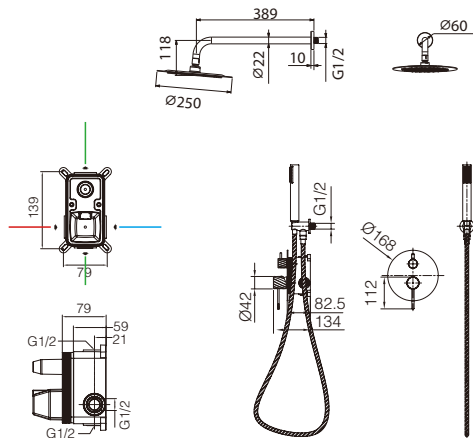
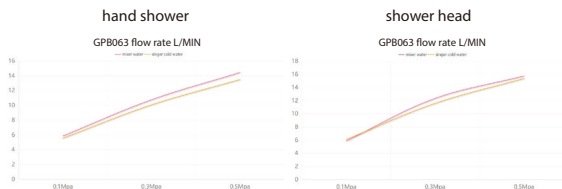
Step 6. Test function of shower set, clean the set

Usage function instruction



FLOW RATE

Detalles	
FLOW RATE REF	GPB063
hand shower mixer water 0.1Mpa(L/MIN)	5.85
hand shower mixer water 0.3Mpa(L/MIN)	10.74
hand shower mixer water 0.5Mpa(L/MIN)	14.43
hand shower singer cold water 0.1Mpa(L/MIN)	5.55
hand shower singer cold water 0.3Mpa(L/MIN)	10.05
hand shower singer cold water 0.5Mpa(L/MIN)	13.48
shower head mixer water 0.1Mpa(L/MIN)	5.87
shower head mixer water 0.3Mpa(L/MIN)	12.34
shower head mixer water 0.5Mpa(L/MIN)	15.75
shower head singer cold water 0.1Mpa(L/MIN)	6.1
shower head singer cold water 0.3Mpa(L/MIN)	11.58
shower head singer cold water 0.5Mpa(L/MIN)	15.37



Product sizes (cm)	43*30*14
Weight (kg)	4.3
Guarantee	5 years
Max Preassure (bar)	5
Min Preassure (bar)	0.5
Optimum preassure (bar)	1-4 (Recommended 3)
Max. temperature	85°C
Min temperature	65°C

CERTIFIES

That all our products, provided that they are used in normal conditions or installed in accordance with current standards, are guaranteed against any manufacturing defect for a period of five years, except for products purchased before January 1, 2020, which will have the mandatory coverage of 2 years from the date of invoice.

Requirements and exclusions

Failure to comply with the instructions for assembly, use and maintenance of our products on the packaging and in our catalogue and published on our website: www.imexproducts.es, releases IMEX PRODUCTS, S.L. from any liability.

In any case, the acceptance of the defect by our technical department is necessary. In addition, transport costs will be charged only in the event that on IMEX PRODUCTS, S.L. technician determines the proper functioning of our products.

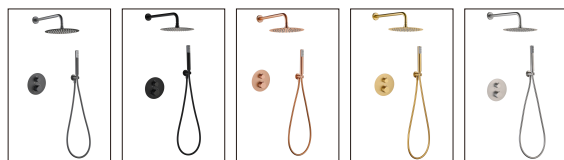
IMEX PRODUCTS, S.L. will decide to repair the product or replace it. It will be necessary to present the purchase invoice.

Assembly, maintenance or repairs carried out by non-specoalists re excluded from the warranty.

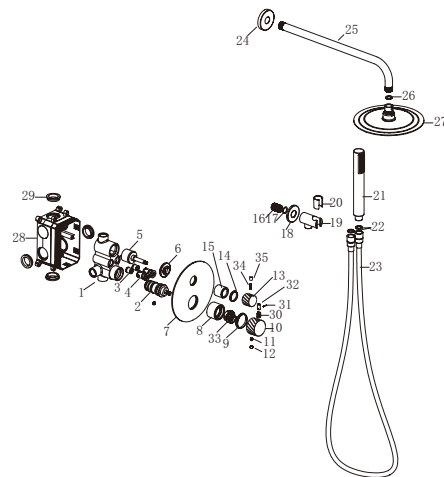
Wearing parts such as hoses, handles, seals, filters, aerators, etc. are not covered by the warranty.



PRODUCT INFORMATION SUMMARY



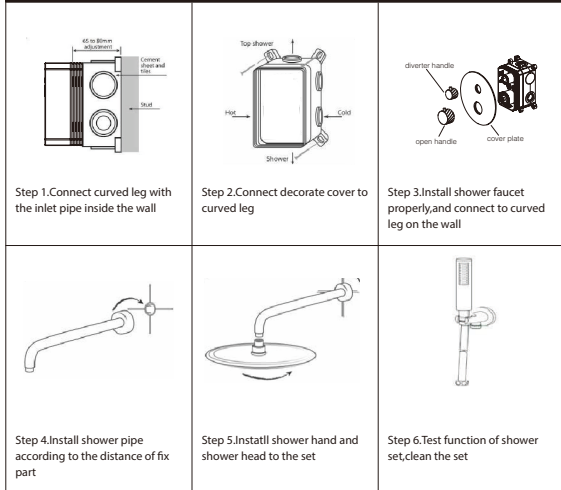
Ref.	EAN	Finish
GTB063	8435668060028	Chrome
GTB063-BGM	8435668060035	Black gun metal
GTB063-NG	8435668060042	Matte black
GTB063-ORC	8435668060073	Brushed rose gold
GTB063-OC	8435668060066	Brushed gold
GTB063-NQ	8435668060059	Brushed nickel



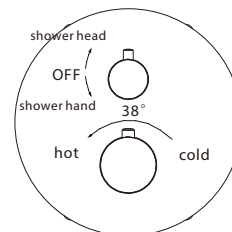
CODE	NAME	MATERIAL	REF	CODE	NAME	MATERIAL	REF
1	Body	Brass		20	Plastic washer	Plastic	
2	Cartridge	32mm	CRT012*	21	Shower	Plastic	MDR015*
3	Check valve	ASSY		22	Rubber ring	NBR	
4	Control valve	ASSY		23	Hose	PVC	FLX002*
5	cartridge	33mm up	???	24	Caver	SUS 304	
6	Nut	Brass		25	Hose	SUS 304	BPR001*
7	Decorative plate	SUS 304		26	Rubber ring	NBR	
8	Cartridge cover	Brass		27	Shower head	SUS 304	RDN002*
9	Plastic washer	Plastic		28	BOX	ABS	
10	Handle	Brass		29	Rubber ring	NBR	
11	Screw	SUS 304		30	Spring	SUS 304	
12	Button	ABS		31	Pin	SUS 304	
13	Handle	Brass		32	Handle lever	Brass	
14	Plastic washer	Plastic		33	Washer	POM	
15	Cover	Brass		34	Screw	SUS 304	
16	Connect	Brass		35	Handle lever	Brass	
17	Oring	NBR					
18	Cover	Brass					
19	Body	Brass					

* CONSULTAR PARA ACABADOS DE COLOR

Installing instruction

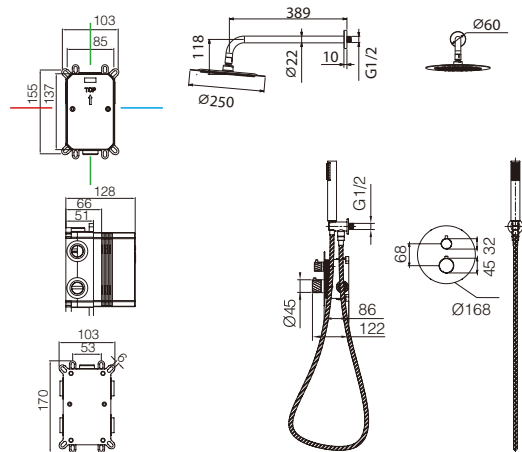
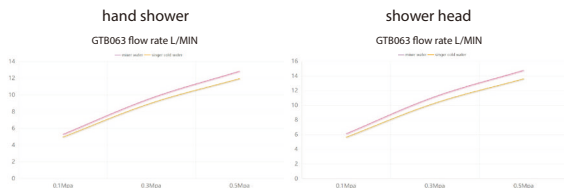


Usage function instruction



FLOW RATE

Detalles	
FLOW RATE REF	GTB063
hand shower mixer water 0.1Mpa(L/MIN)	5.27
hand shower mixer water 0.3Mpa(L/MIN)	9.62
hand shower mixer water 0.5Mpa(L/MIN)	12.84
hand shower singer cold water 0.1Mpa(L/MIN)	4.95
hand shower singer cold water 0.3Mpa(L/MIN)	9.02
hand shower singer cold water 0.5Mpa(L/MIN)	11.95
shower head mixer water 0.1Mpa(L/MIN)	6.1
shower head mixer water 0.3Mpa(L/MIN)	11.16
shower head mixer water 0.5Mpa(L/MIN)	14.76
shower head singer cold water 0.1Mpa(L/MIN)	5.63
shower head singer cold water 0.3Mpa(L/MIN)	10.28
shower head singer cold water 0.5Mpa(L/MIN)	13.6



Product sizes (cm)	43*30*14
Weight (kg)	4.8
Guarantee	5 years
Max Preassure (bar)	5
Min Preassure (bar)	0.5
Optimum preassure (bar)	1-4 (Recommended 3)
Max. temperature	85°C
Min temperature	65°C

CERTIFIES

That all our products, provided that they are used in normal conditions or installed in accordance with current standards, are guaranteed against any manufacturing defect for a period of five years, except for products purchased before January 1, 2020, which will have the mandatory coverage of 2 years from the date of invoice.

Requirements and exclusions

Failure to comply with the instructions for assembly, use and maintenance of our products on the packaging and in our catalogue and published on our website: www.imexproducts.es, releases IMEX PRODUCTS, S.L. from any liability.

In any case, the acceptance of the defect by our technical department is necessary. In addition, transport costs will be charged only in the event that on IMEX PRODUCTS, S.L. technician determines the proper functioning of our products.

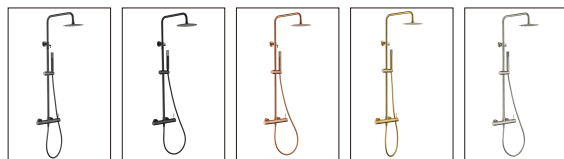
IMEX PRODUCTS, S.L. will decide to repair the product or replace it. It will be necessary to present the purchase invoice.

Assembly, maintenance or repairs carried out by non-specialists are excluded from the warranty.

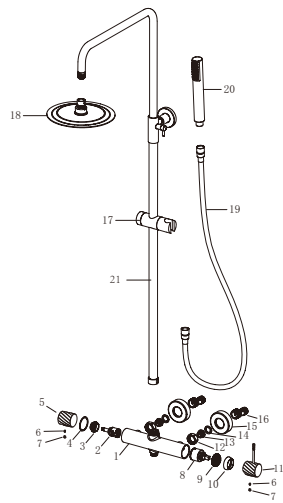
Wearing parts such as hoses, handles, seals, filters, aerators, etc. are not covered by the warranty.



**PRODUCT
INFORMATION
SUMMARY**



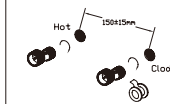
Ref.	EAN	Finish
BDB063	8435668060325	Chrome
BDB063-BGM	8435668060332	Black gun metal
BDB063-NG	8435668060349	Matte black
BDB063-ORC	8435668060370	Brushed rose gold
BDB063-OC	8435668060363	Brushed gold
BDB063-NQ	8435668060356	Brushed nickel



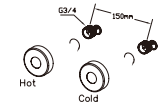
CODE	NAME	MATERIAL	REF	CODE	NAME	MATERIAL	REF
1	Body	Brass		16	Cabrio leg	SUS 304	
2	Cartridge	25mm up	CRT068*	17	Slider	SUS 304	AR00014*
3	Nut	Brass		18	Shower head	SUS 304	RDN0001*
4	Washer	POM		19	Hose	SUS 304 / PVC	FLX0001*
5	Handle	Brass		20	Shower hand	ABS	MDR015*
6	Screw	SUS 304		21	Pipe	SUS 304	
7	Cover	ABS					
8	Cartridge	35mm	CRT006*				
9	Nut	Brass					
10	Cover	ABS					
11	Handle	Brass					
12	Nut	Brass					
13	Valve	SUS 304					
14	Rubber ring	NBR					
15	Cover	SUS 304					

* CONSULTAR PARA ACABADOS DE COLOR

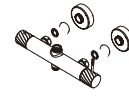
Installing instruction



Step 1. Connect curved leg with the inlet pipe inside the wall



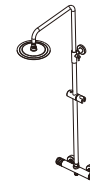
Step 2. Connect decorate cover to curved leg



Step 3. Install shower faucet properly, and connect to curved leg on the wall



Step 4. Install shower pipe according to the distance of fix part

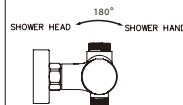
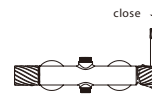
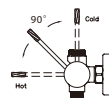


Step 5. Install shower hand and shower head to the set



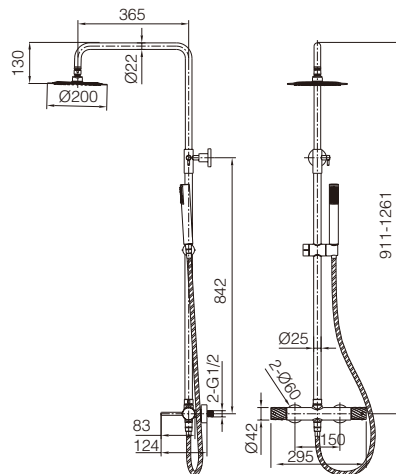
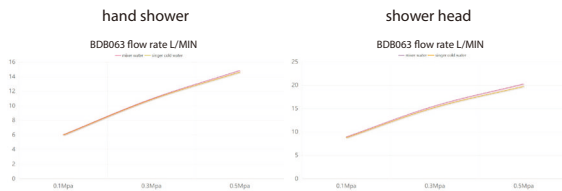
Step 6. Test function of shower set, clean the set

Usage function instruction



FLOW RATE

Detalles	
FLOW RATE REF	BDB063
hand shower mixer water 0.1Mpa(L/MIN)	6.03
hand shower mixer water 0.3Mpa(L/MIN)	10.95
hand shower mixer water 0.5Mpa(L/MIN)	14.84
hand shower singer cold water 0.1Mpa(L/MIN)	5.98
hand shower singer cold water 0.3Mpa(L/MIN)	10.86
hand shower singer cold water 0.5Mpa(L/MIN)	14.61
shower head mixer water 0.1Mpa(L/MIN)	8.92
shower head mixer water 0.3Mpa(L/MIN)	15.58
shower head mixer water 0.5Mpa(L/MIN)	20.27
shower head singer cold water 0.1Mpa(L/MIN)	8.76
shower head singer cold water 0.3Mpa(L/MIN)	15.24
shower head singer cold water 0.5Mpa(L/MIN)	19.75



Product sizes (cm)	42.5*13.3*90
Weight (kg)	5.6
Guarantee	5 years
Max Preassure (bar)	5
Min Preassure (bar)	0.5
Optimum preassure (bar)	1-4 (Recommended 3)
Max. temperature	85°C
Min temperature	65°C

CERTIFIES

That all our products, provided that they are used in normal conditions or installed in accordance with current standards, are guaranteed against any manufacturing defect for a period of five years, except for products purchased before January 1, 2020, which will have the mandatory coverage of 2 years from the date of invoice.

Requirements and exclusions

Failure to comply with the instructions for assembly, use and maintenance of our products on the packaging and in our catalogue and published on our website: www.imexproducts.es, releases IMEX PRODUCTS, S.L. from any liability.

In any case, the acceptance of the defect by our technical department is necessary. In addition, transport costs will be charged only in the event that on IMEX PRODUCTS, S.L. technician determines the proper functioning of our products.

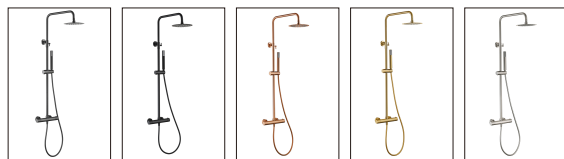
IMEX PRODUCTS, S.L. will decide to repair the product or replace it. It will be necessary to present the purchase invoice.

Assembly, maintenance or repairs carried out by non-specoalists re excluded from the warranty.

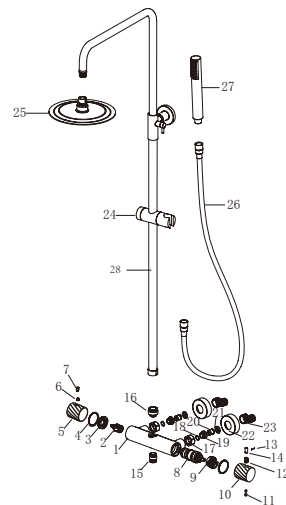
Wearing parts such as hoses, handles, seals, filters, aerators, etc. are not covered by the warranty.



**PRODUCT
INFORMATION
SUMMARY**



Ref.	EAN	Finish
BTB063	8435668059602	Chrome
BTB063-BGM	8435668059619	Black gun metal
BTB063-NG	8435668059626	Matte black
BTB063-ORC	8435668059657	Brushed rose gold
BTB063-OC	8435668059640	Brushed gold
BTB063-NQ	8435668059633	Brushed nickel



CODE	NAME	MATERIAL	REF	CODE	NAME	MATERIAL	REF
1	Body	Brass	16	Connect	Brass		
2	Cartridge	25mm up	???	17	Nut	Brass	
3	Nut	Brass	18	O-ring	NBR		
4	Washer	POM	19	Screw	SUS 304		
5	Handle	Brass	20	Valve	ABS		
6	Screw	SUS 304	21	Rubber washer	NBR		
7	Handle lever	Brass	22	Cover	SUS 304		
8	Cartridge	32mm	CRT012*	23	Cabrio leg	SUS 304	
9	Washer	POM	24	Slider	SUS 304	RR0014*	
10	Handle	Brass	25	Shower head	SUS 304	RDN001*	
11	Cover	ABS	26	Hose	SUS 304 / PVC	FLX001*	
12	Spring	SUS 304	27	Shower hand	ABS	MDR015*	
13	Pin	SUS 304	28	Pipe	SUS 304		
14	Handle lever	Brass					
15	Connect	Brass					

* CONSULTAR PARA ACABADOS DE COLOR

Installing instruction

Step 1. Connect curved leg with the inlet pipe inside the wall

Step 2. Connect decorative cover to curved leg

Step 3. Install shower faucet properly, and connect to curved leg on the wall

Step 4. Install shower pipe according to the distance of fix part

Step 5. Install shower hand and shower head to the set

Step 6. Test function of shower set, clean the set

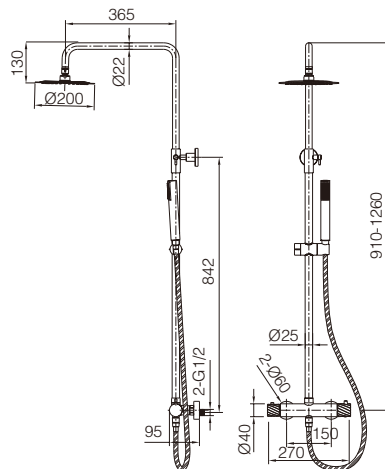
Usage function instruction

Hot 38° Cold

SHOWER HEAD OFF 180° SHOWER HAND

FLOW RATE

Detailles	
FLOW RATE REF	BTB063
hand shower mixer water 0.1Mpa(L/MIN)	5.77
hand shower mixer water 0.3Mpa(L/MIN)	10.57
hand shower mixer water 0.5Mpa(L/MIN)	14.24
hand shower singer cold water 0.1Mpa(L/MIN)	5.58
hand shower singer cold water 0.3Mpa(L/MIN)	10.12
hand shower singer cold water 0.5Mpa(L/MIN)	13.57
shower head mixer water 0.1Mpa(L/MIN)	8.43
shower head mixer water 0.3Mpa(L/MIN)	14.97
shower head mixer water 0.5Mpa(L/MIN)	19.57
shower head singer cold water 0.1Mpa(L/MIN)	7.77
shower head singer cold water 0.3Mpa(L/MIN)	13.7
shower head singer cold water 0.5Mpa(L/MIN)	17.8



Product sizes (cm)	42.5*13.3*90
Weight (kg)	5.5
Guarantee	5 years
Max Preassure (bar)	5
Min Preassure (bar)	0.5
Optimum preassure (bar)	1-4 (Recommended 3)
Max. temperature	85°C
Min temperature	65°C

CERTIFIES

That all our products, provided that they are used in normal conditions or installed in accordance with current standards, are guaranteed against any manufacturing defect for a period of five years, except for products purchased before January 1, 2020, which will have the mand atory coverage of 2 years from the date of invoice.

Requirements and exclusions

Failure to comply with the instructions for assembly, use and maintenance of our products on the packaging and in our catalogue and published on our website: www.imexproducts.es, releases IMEX PRODUCTS, S.L. from any liability.

In any case, the acceptance of the defect by our technical department is necessary. In addition, transport costs will be charged only in the event that on IMEX PRODUCTS, S.L. technician determines the proper functioning of our products.

IMEX PRODUCTS, S.L. will decide to repair the product or replace it. It will be necessary to present the purchase invoice.

Assembly, maintenance or repairs carried out by non-specoalists re excluded from the warranty.

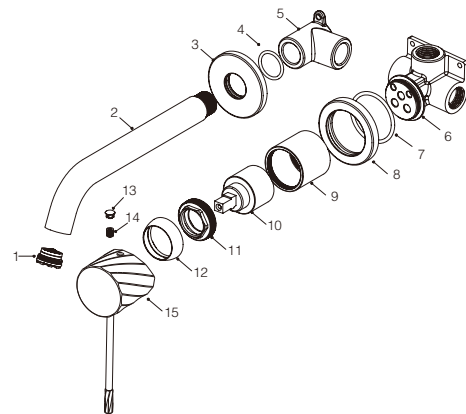
Wearing parts such as hoses, handles, seals, filters, aerators, etc. are not covered by the warranty.



**PRODUCT
INFORMATION
SUMMARY**



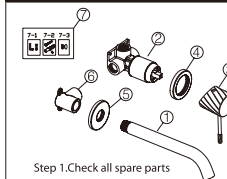
Ref.	EAN	Finish
GLB063	8435668059909	Chrome
GLB063-BGM	8435668059916	Black gun metal
GLB063-NG	8435668059923	Matte black
GLB063-ORC	8435668059954	Brushed rose gold
GLB063-OC	8435668059947	Brushed gold
GLB063-NQ	8435668059930	Brushed nickel



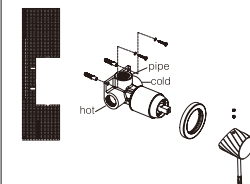
CODE	NAME	MATERIAL	REF
1	Aerator	16.5x1mm	SAT-AIR060*
2	Outlet pipe	Brass	
3	Cover	Brass	
4	O-ring	NBR	
5	Connector	Brass	
6	Body	Brass	
7	O-ring	NBR	
8	Cover	Brass	
9	Cartridge cover	Brass	
10	Cartridge	25mm	CRT018*
11	Nut	Brass	
12	Cover	ABS	
13	Screw	SUS 304	
14	Cover	ABS	
15	Handle	Brass	

* CONSULTAR PARA ACABADOS DE COLOR

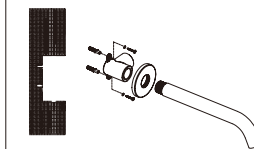
Installing instruction



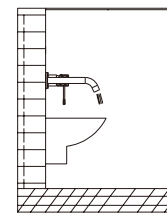
- Step 1. Check all spare parts
- 1-pipe
 - 2-body to handle
 - 3-handle
 - 4-cover plate of handle
 - 5-cover plate of pipe
 - 6-body to pipe
 - 7-spare part bag



- Step 2. Dig hole for body to handle
- 2.1-Hole size 50*50mm, depth from 45 to 75mm
 - 2.2-Dig two 6mm holes with 54mm distance
 - 2.3- Assemble spare parts as picture shows

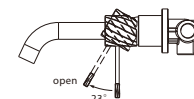
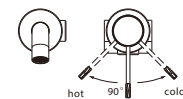


- Step 3. Dig hole for body to pipe
- 3.1-Hole size 45*45mm, depth 40mm
 - 3.2-Dig two 6mm holes with 35mm distance
 - 3.3- Assemble spare parts as picture shows



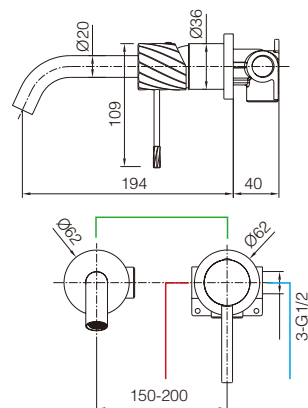
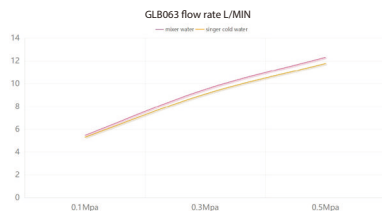
- Step 4. Connect inside pipe and test for leak checking

Usage function instruction



FLOW RATE

Detalles	
FLOW RATE REF	GLB063
mixer water 0.1Mpa(L/MIN)	5.46
mixer water 0.3Mpa(L/MIN)	9.49
mixer water 0.5Mpa(L/MIN)	12.31
singer cold water 0.1Mpa(L/MIN)	5.3
singer cold water 0.3Mpa(L/MIN)	9.08
singer cold water 0.5Mpa(L/MIN)	11.77



Product sizes (cm)	29*17.5*6.7
Weight (kg)	1.1
Guarantee	5 years
Max Preasure (bar)	5
Min Preasure (bar)	0.5
Optimum preasure (bar)	1-4 (Recommended 3)
Max. temperature	85°C
Min temperature	65°C

CERTIFIES

That all our products, provided that they are used in normal conditions or installed in accordance with current standards, are guaranteed against any manufacturing defect for a period of five years, except for products purchased before January 1, 2020, which will have the mandatory coverage of 2 years from the date of invoice.

Requirements and exclusions

Failure to comply with the instructions for assembly, use and maintenance of our products on the packaging and in our catalogue and published on our website: www.imexproducts.es, releases IMEX PRODUCTS, S.L. from any liability.

In any case, the acceptance of the defect by our technical department is necessary. In addition, transport costs will be charged only in the event that on IMEX PRODUCTS, S.L. technician determines the proper functioning of our products.

IMEX PRODUCTS, S.L. will decide to repair the product or replace it. It will be necessary to present the purchase invoice.

Assembly, maintenance or repairs carried out by non-specoalists re excluded from the warranty.

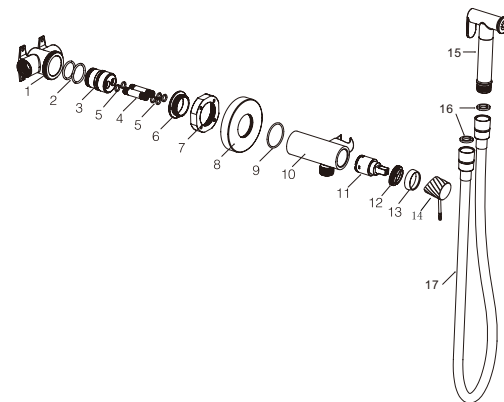
Wearing parts such as hoses, handles, seals, filters, aerators, etc. are not covered by the warranty.



**PRODUCT
INFORMATION
SUMMARY**



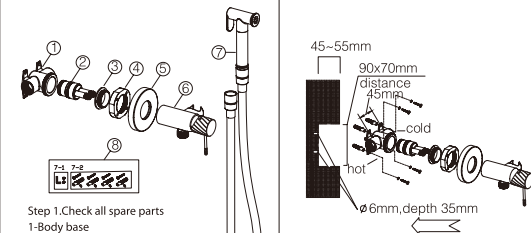
Ref.	EAN	Finish
RDB063	8435668060080	Chrome
RDB063/BGM	8435668060097	Black gun metal
RDB063/NG	8435668060103	Matte black
RDB063/ORC	8435668060134	Brushed rose gold
RDB063/OC	8435668060127	Brushed gold
RDB063/NQ	8435668060110	Brushed nickel



CODE	NAME	MATERIAL	REF
1	Body	Brass	
2	O-ring	NBR	
3	Connect	Brass	
4	Hose	Brass	
5	O-ring	NBR	
6	Connect	Brass	
7	Nut	Brass	
8	Cover	Brass	
9	O-ring	NBR	
10	Body	Brass	
11	Cartridge	25mm	CRT018*
12	Nut	Brass	
13	Decorative cup	ABS	
14	Handle	Brass	
15	Spray gun	SUS 304	SMD005*
16	Rubber	NBR	
17	Hose	SUS 304/PVC	FLX008*

* CONSULTAR PARA ACABADOS DE COLOR

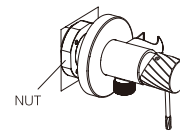
Installing instruction



Step 1. Check all spare parts

- 1-Body base
- 2-Valve core
- 3-Connoter
- 4-Nut
- 5-Cover
- 6-Body
- 7-Pipe
- 8-Spare part bag

- Step 2. Dig hole for body to handle
- 2.1- Hole size 90*70mm, depth from 45 to 55mm
- 2.2- Dig two 6mm holes with 45mm distance
- 2.3- Assemble spare parts as picture shows

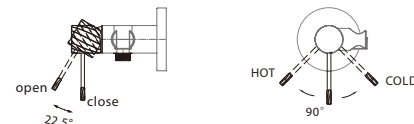


Step 3. Lock the nuts on the body base.



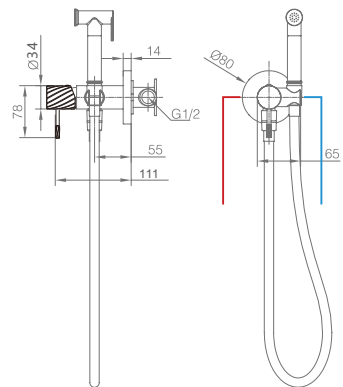
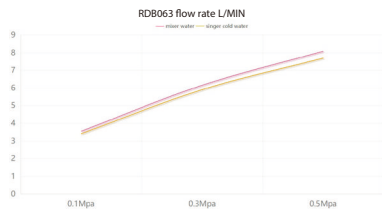
Step 4. Connect inside pipe and test for leak checking

Usage function instruction



FLOW RATE

Detalles	
FLOW RATE REF	RDB063
mixer water 0.1Mpa(L/MIN)	3.54
mixer water 0.3Mpa(L/MIN)	6.15
mixer water 0.5Mpa(L/MIN)	8.08
singer cold water 0.1Mpa(L/MIN)	3.4
singer cold water 0.3Mpa(L/MIN)	5.9
singer cold water 0.5Mpa(L/MIN)	7.69



Product sizes (cm)	19.5*13*15
Weight (kg)	1.7
Guarantee	5 years
Max Preasure (bar)	5
Min Preasure (bar)	0.5
Optimum preasure (bar)	1-4 (Recommended 3)
Max. temperature	85°C
Min temperature	65°C

CERTIFIES

That all our products, provided that they are used in normal conditions or installed in accordance with current standards, are guaranteed against any manufacturing defect for a period of five years, except for products purchased before January 1, 2020, which will have the mandatory coverage of 2 years from the date of invoice.

Requirements and exclusions

Failure to comply with the instructions for assembly, use and maintenance of our products on the packaging and in our catalogue and published on our website: www.imexproducts.es, releases IMEX PRODUCTS, S.L. from any liability.

In any case, the acceptance of the defect by our technical department is necessary. In addition, transport costs will be charged only in the event that on IMEX PRODUCTS, S.L. technician determines the proper functioning of our products.

IMEX PRODUCTS, S.L. will decide to repair the product or replace it. It will be necessary to present the purchase invoice.

Assembly, maintenance or repairs carried out by non-specoalists re excluded from the warranty.

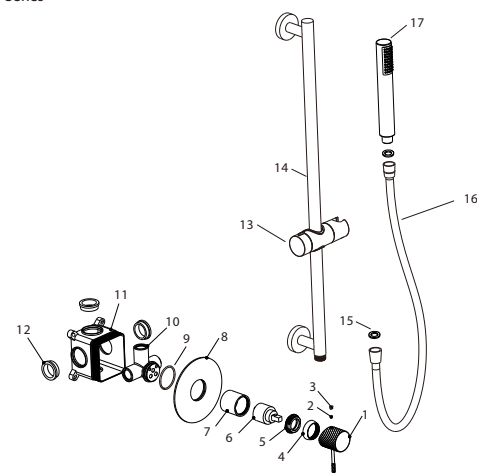
Wearing parts such as hoses, handles, seals, filters, aerators, etc. are not covered by the warranty.



PRODUCT INFORMATION SUMMARY

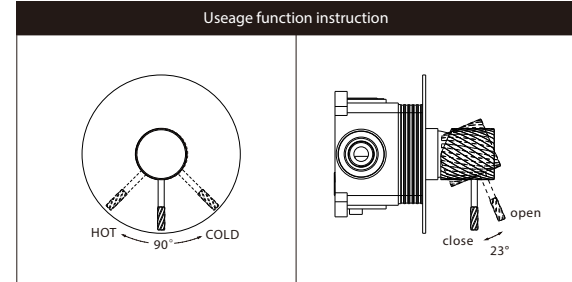
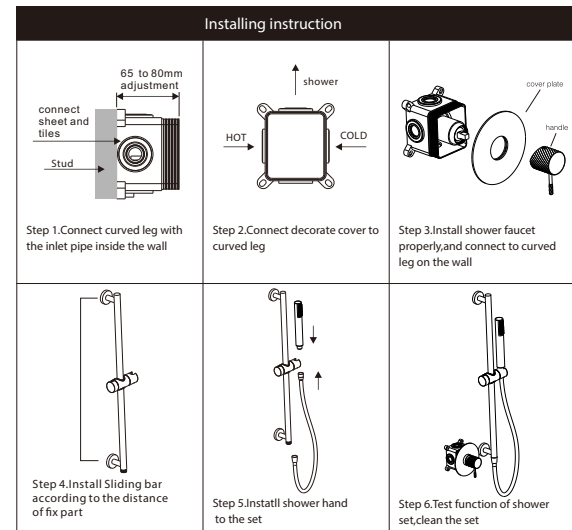


Ref.	EAN	Finish
SMB063	8435668069458	Chrome
SMB063/BGM	8435668069472	Black gun metal
SMB063/NG	8435668069465	Matte black
SMB063/ORC	8435668069496	Brushed rose gold
SMB063/OC	8435668069489	Brushed gold
SMB063/NQ	8435668069502	Brushed nickel



CODE	NAME	MATERIAL	REF
1	Handle	Brass	
2	Screw	SUS304 / 4*4mm	
3	Button	ABS	
4	Cover	Brass	
5	Nut	Brass	
6	Cartridge	35mm	
7	Cartridge cover	Brass	
8	Decorative plate	SUS 304	
9	O-ring	NBR	
10	Body	Brass	
11	BOX	ABS	
12	Rubber ring	NBR	
13	Slider	ABS	
14	Sliding bar	SUS 304	
15	Rubber washer	NBR	
16	Hose	PVC	FLX010*
17	Shower hand	ABS	MDR015*

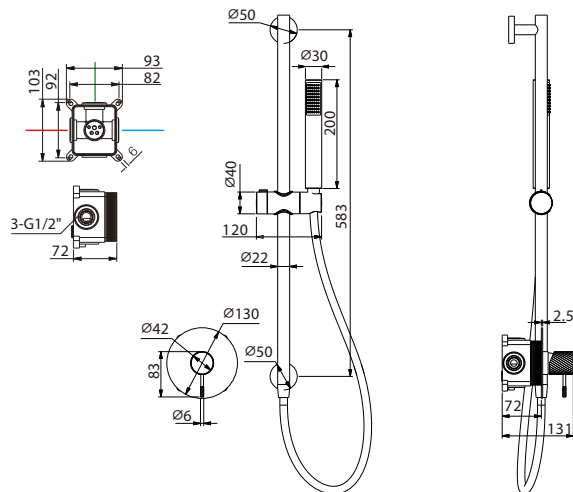
* CONSULTAR PARA ACABADOS DE COLOR



FLOW RATE

Detalles

FLOW RATE REF	SMB063
mixer water 0.1Mpa(L/MIN)	6
mixer water 0.3Mpa(L/MIN)	10.6
mixer water 0.5Mpa(L/MIN)	13.6
singer cold water 0.1Mpa(L/MIN)	5.6
singer cold water 0.3Mpa(L/MIN)	9.7
singer cold water 0.5Mpa(L/MIN)	12.7



Product sizes (cm)	67.5*21*13.5
Weight (kg)	2.65
Guarantee	5 years
Max Preasure (bar)	5
Min Preasure (bar)	0.5
Optimum preasure (bar)	1-4 (Recommended 3)
Max. temperature	85°C
Min temperature	65°C

CERTIFIES

That all our products, provided that they are used in normal conditions or installed in accordance with current standards, are guaranteed against any manufacturing defect for a period of five years, except for products purchased before January 1, 2020, which will have the mandatory coverage of 2 years from the date of invoice.

Requirements and exclusions

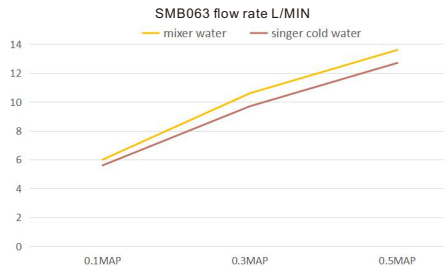
Failure to comply with the instructions for assembly, use and maintenance of our products on the packaging and in our catalogue and published on our website: www.imexproducts.es, releases IMEX PRODUCTS, S.L. from any liability.

In any case, the acceptance of the defect by our technical department is necessary. In addition, transport costs will be charged only in the event that an IMEX PRODUCTS, S.L. technician determines the proper functioning of our products.

IMEX PRODUCTS, S.L. will decide to repair the product or replace it. It will be necessary to present the purchase invoice.

Assembly, maintenance or repairs carried out by non-specialists are excluded from the warranty.

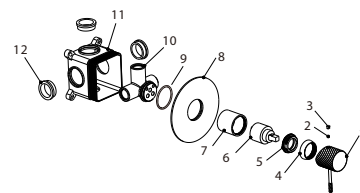
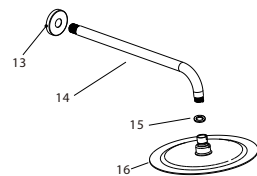
Wearing parts such as hoses, handles, seals, filters, aerators, etc. are not covered by the warranty.



**PRODUCT
INFORMATION
SUMMARY**



Ref.	EAN	Finish
SRB063	8435668069397	Chrome
SRB063/BGM	8435668069410	Black gun metal
SRB063/NG	8435668069403	Matte black
SRB063/ORC	8435668069434	Brushed rose gold
SRB063/OC	8435668069427	Brushed gold
SRB063/NQ	8435668069441	Brushed nickel



CODE	NAME	MATERIAL	REF
1	Handle	Brass	
2	Screw	SUS304 / 4*4mm	
3	Button	ABS	
4	Cover	Brass	
5	Nut	Brass	
6	Cartridge	35mm	
7	Cartridge cover	Brass	
8	Decorative plate	SUS 304	
9	O-ring	NBR	
10	Body	Brass	
11	BOX	ABS	
12	Rubber ring	NBR	
13	Cover	SUS 304	
14	Hose	SUS 304	BPR001*
15	Rubber washer	NBR	
16	Shower head	SUS 304	RDN002*

* CONSULTAR PARA ACABADOS DE COLOR

Installing instruction

Step 1. Connect curved leg with the inlet pipe inside the wall

Step 2. Connect decorative cover to curved leg

Step 3. Install shower faucet properly, and connect to curved leg on the wall

Step 4. Install shower pipe according to the distance of fix part

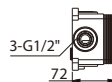
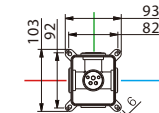
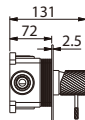
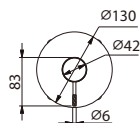
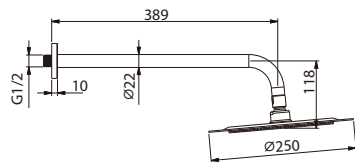
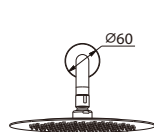
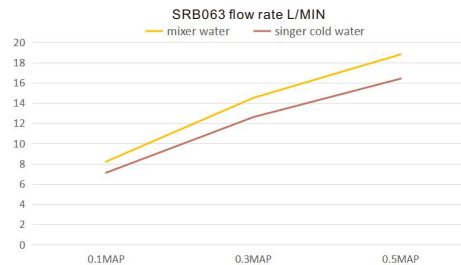
Step 5. Install shower head to the set

Step 6. Test function of shower set, clean the set

Usage function instruction

FLOW RATE

Detalles	
FLOW RATE REF	SRB063
mixer water 0.1Mpa(L/MIN)	8.2
mixer water 0.3Mpa(L/MIN)	14.5
mixer water 0.5Mpa(L/MIN)	18.8
singer cold water 0.1Mpa(L/MIN)	7.1
singer cold water 0.3Mpa(L/MIN)	12.6
singer cold water 0.5Mpa(L/MIN)	16.4



Product sizes (cm)	43*30*14
Weight (kg)	2.85
Guarantee	5 years
Max Preasure (bar)	5
Min Preasure (bar)	0.5
Optimum preasure (bar)	1-4 (Recommended 3)
Max. temperature	85°C
Min temperature	65°C

CERTIFIES

That all our products, provided that they are used in normal conditions or installed in accordance with current standards, are guaranteed against any manufacturing defect for a period of five years, except for products purchased before January 1, 2020, which will have the mandatory coverage of 2 years from the date of invoice.

Requirements and exclusions

Failure to comply with the instructions for assembly, use and maintenance of our products on the packaging and in our catalogue and published on our website: www.imexproducts.es, releases IMEX PRODUCTS, S.L. from any liability.

In any case, the acceptance of the defect by our technical department is necessary. In addition, transport costs will be charged only in the event that on IMEX PRODUCTS, S.L. technician determines the proper functioning of our products.

IMEX PRODUCTS, S.L. will decide to repair the product or replace it. It will be necessary to present the purchase invoice.

Assembly, maintenance or repairs carried out by non-specialists are excluded from the warranty.

Wearing parts such as hoses, handles, seals, filters, aerators, etc. are not covered by the warranty.

