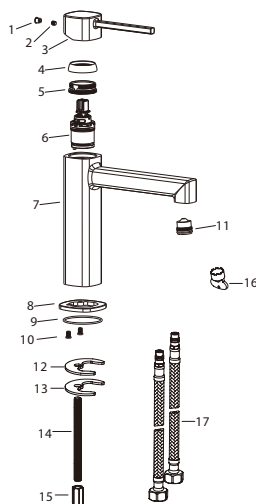


**PRODUCT
INFORMATION
SUMMARY**



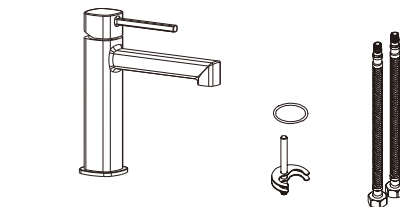
Ref.	EAN	Finish
BDT064-1	8435668065047	Chrome
BDT064-1BGM	8435668065061	Black gun metal
BDT064-1NG	8435668065054	Matte black
BDT064-1ORC	8435668065085	Brushed rose gold
BDT064-1OC	8435668065078	Brushed gold
BDT064-1NQ	8435668065092	Brushed nickel



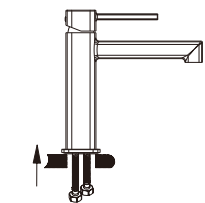
CODE	NAME	MATERIAL	REF
1	Button	ABS	
2	screw	SUS304/4x4mm	
3	handle	Zinc	
4	Decorative cup	Brass	
5	Nut	Brass	
6	Cartridge	26mmup	CRT007*
7	Main body	Brass	
8	base	Zinc	
9	O-ring	NBR	
10	screw	SUS304/4x6mm	
11	Aerator	ABS/M16.5x1mm	SAT-AIR060*
12	Rubber washer	NBR	
13	Metal washer	SUS304	
14	M8-Screw	SUS304	
15	M8-Nut	Brass	
16	Aerator spanner	plastic	SAT-KEY*
17	Connecting Pipe	TAQ-PEX-DN6-ACB H3/8-M10X1 L12-500-R&B	SAT-HOSES7*

* CONSULTAR PARA ACABADOS DE COLOR

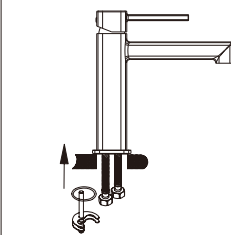
Installing instruction



Step 1. Check all spare parts ready

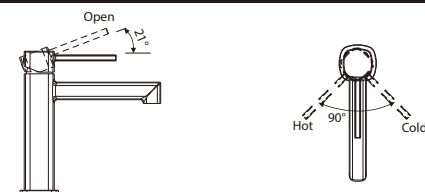


Step 2. Install inlet pipe to faucet body



Step 3. Install screw stick to faucet body

Usage function instruction



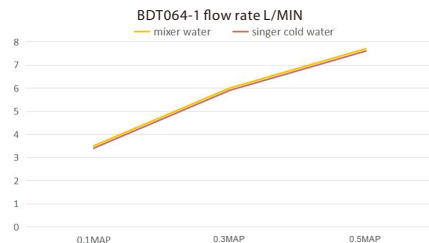
TOSCANA

Series

IMEX
BATH EQUIPMENTS

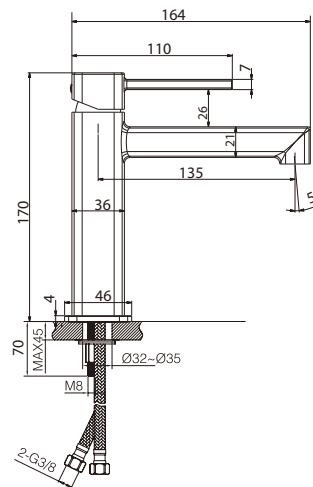
FLOW RATE

Detalles	
FLOW RATE REF	BDT064-1
mixer water 0.1Mpa(L/MIN)	3.5
mixer water 0.3Mpa(L/MIN)	6
mixer water 0.5Mpa(L/MIN)	7.7
singer cold water 0.1Mpa(L/MIN)	3.4
singer cold water 0.3Mpa(L/MIN)	5.9
singer cold water 0.5Mpa(L/MIN)	7.6



TOSCANA

Series

IMEX
BATH EQUIPMENTS

Product sizes (cm)	30*21*5.9
Weight (kg)	0.95
Guarantee	5 years
Max Preasure (bar)	5
Min Preasure (bar)	0.5
Optimum preasure (bar)	1-4 (Recommended 3)
Max. temperature	85°C
Min temperature	65°C

TOSCANA

Series

IMEX
BATH EQUIPMENTS

CERTIFIES

That all our products, provided that they are used in normal conditions or installed in accordance with current standards, are guaranteed against any manufacturing defect for a period of five years, except for products purchased before January 1, 2020, which will have the mand atory coverage of 2 years from the date of invoice.

Requirements and exclusions

Failure to comply with the instructions for assembly, use and maintenance of our products on the packaging and in our catalogue and published on our website: www.imexproducts.es, releases IMEX PRODUCTS, S.L. from any liability.

In any case, the acceptance of the defect by our technical department is necessary. In addition, transport costs will be charged only in the event that on IMEX PRODUCTS, S.L. technician determines the proper functioning of our products.

IMEX PRODUCTS, S.L. will decide to repair the product or replace it. It will be necessary to present the purchase invoice.

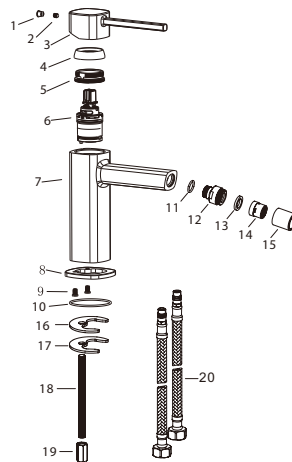
Assembly, maintenance or repairs carried out by non-specoalists re excluded from the warranty.

Wearing parts such as hoses, handles, seals, filters, aerators, etc. are not covered by the warranty.





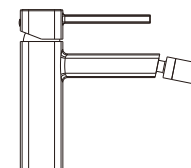
Ref.	EAN	Finish
BDT064-2	8435668065108	Chrome
BDT064-2BGM	8435668065122	Black gun metal
BDT064-2NG	8435668065115	Matte black
BDT064-2ORC	8435668065146	Brushed rose gold
BDT064-2OC	8435668065139	Brushed gold
BDT064-2NQ	8435668065153	Brushed nickel



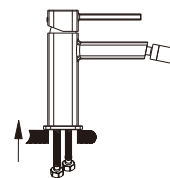
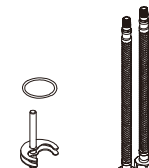
CODE	NAME	MATERIAL	REF
1	Cover	ABS	
2	Screw	SUS304/4x4mm	
3	handle	Zinc	
4	Decorative cup	Brass	
5	Nut	Brass	
6	Cartridge	26mm up	CRT007*
7	Boby	Brass	
8	Base	Zinc	
9	Screw	SUS304/4x6mm	
10	O-ring	NBR	
11	Spout gasket	NBR	
12	Spout	Brass	
13	Gasket	NBR	
14	Aerator	16 mm	SAT-AIR032*
15	Reticulated shell	Brass	
16	Rubber washer	NBR	
17	Metal washer	SUS304	
18	M8-Screw	SUS304	
19	M8-Nut	Brass	
20	Connecting Pipe	TAQ-PEX-DN6-ACB H3/8-M10X1 L12-500-R8B	SAT-HOSES7*

* CONSULTAR PARA ACABADOS DE COLOR

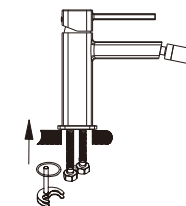
Installing instruction



Step 1. Check all spare parts ready

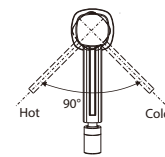
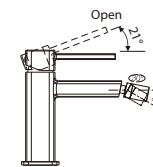


Step 2. Install inlet pipe to faucet body



Step 3. Install screw stick to faucet body

Usage function instruction



**PRODUCT
INFORMATION
SUMMARY**

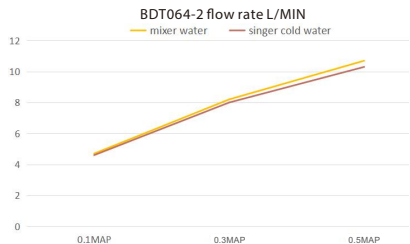
TOSCANA

Series

IMEX
BATH EQUIPMENTS

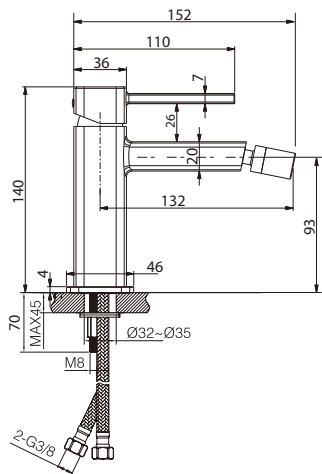
FLOW RATE

Detalles	
FLOW RATE REF	BDT064-2
mixer water 0.1Mpa(L/MIN)	4.7
mixer water 0.3Mpa(L/MIN)	8.2
mixer water 0.5Mpa(L/MIN)	10.7
singer cold water 0.1Mpa(L/MIN)	4.6
singer cold water 0.3Mpa(L/MIN)	8
singer cold water 0.5Mpa(L/MIN)	10.3



TOSCANA

Series

IMEX
BATH EQUIPMENTS

Product sizes (cm)	26.7*18.1*5.9
Weight (kg)	0.89
Guarantee	5 years
Max Preassure (bar)	5
Min Preassure (bar)	0.5
Optimum preassure (bar)	1-4 (Recommended 3)
Max. temperature	85°C
Min temperature	65°C

TOSCANA

Series

IMEX
BATH EQUIPMENTS

CERTIFIES

That all our products, provided that they are used in normal conditions or installed in accordance with current standards, are guaranteed against any manufacturing defect for a period of five years, except for products purchased before January 1, 2020, which will have the mand atory coverage of 2 years from the date of invoice.

Requirements and exclusions

Failure to comply with the instructions for assembly, use and maintenance of our products on the packaging and in our catalogue and published on our website: www.imexproducts.es, releases IMEX PRODUCTS, S.L. from any liability.

In any case, the acceptance of the defect by our technical department is necessary. In addition, transport costs will be charged only in the event that on IMEX PRODUCTS, S.L. technician determines the proper functioning of our products.

IMEX PRODUCTS, S.L. will decide to repair the product or replace it. It will be necessary to present the purchase invoice.

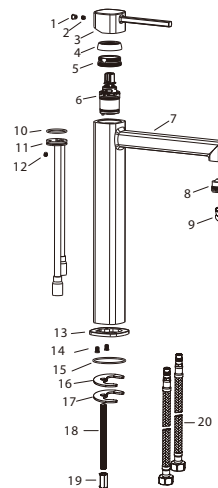
Assembly, maintenance or repairs carried out by non-specoalists re excluded from the warranty.

Wearing parts such as hoses, handles, seals, filters, aerators, etc. are not covered by the warranty.





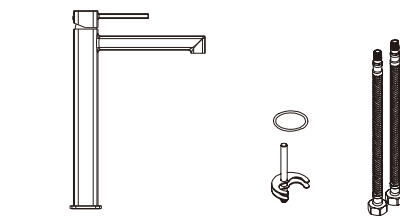
Ref.	EAN	Finish
BDT064-3	8435668065160	Chrome
BDT064-3BGM	8435668065184	Black gun metal
BDT064-3NG	8435668065177	Matte black
BDT064-3ORC	8435668065207	Brushed rose gold
BDT064-3OC	8435668065191	Brushed gold
BDT064-3NQ	8435668065214	Brushed nickel



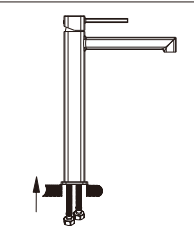
CODE	NAME	MATERIAL	REF
1	Button	ABS	
2	screw	SUS304/4x4mm	
3	handle	Zinc	
4	Decorative cup	Brass	
5	Nut	Brass	
6	Cartridge	26mmup	CRT007*
7	Main body	Brass	
8	Aerator	16 mm	SAT-AIR032*
9	Aerator spanner	plastic	SAT-KEY*
10	O-ring	NBR	
11	Cartridge base	Brass	
12	screw	SUS304	
13	base	Zinc	
14	screw	SUS304/4x6mm	
15	O-ring	NBR	
16	Rubber washer	NBR	
17	Metal washer	SUS304	
18	M8-Screw	SUS304	
19	M8-Nut	Brass	
20	Connecting Pipe	TAQ-PEX-DN6-ACB H3/8-M10X1 L12-500-R&B	SAT-HOSES7*

* CONSULTAR PARA ACABADOS DE COLOR

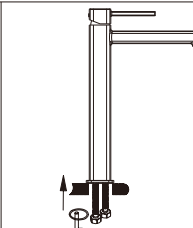
Installing instruction



Step 1. Check all spare parts ready

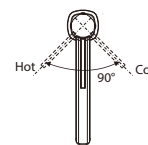
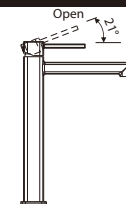


Step 2. Install inlet pipe to faucet body



Step 3. Install screw stick to faucet body

Usage function instruction



**PRODUCT
INFORMATION
SUMMARY**

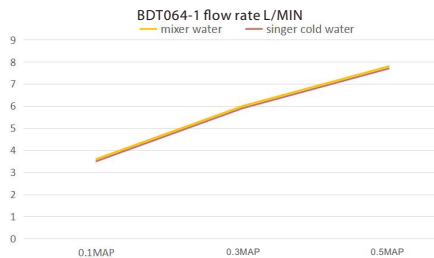
TOSCANA

Series

IMEX
BATH EQUIPMENTS

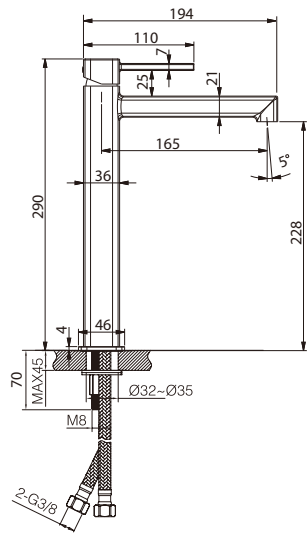
FLOW RATE

Detalles	
FLOW RATE REF	BDT064-3
mixer water 0.1Mpa(L/MIN)	3.6
mixer water 0.3Mpa(L/MIN)	6
mixer water 0.5Mpa(L/MIN)	7.8
singer cold water 0.1Mpa(L/MIN)	3.5
singer cold water 0.3Mpa(L/MIN)	5.9
singer cold water 0.5Mpa(L/MIN)	7.7



TOSCANA

Series

IMEX
BATH EQUIPMENTS

Product sizes (cm)	39*21*5.9
Weight (kg)	1.35
Guarantee	5 years
Max Preasure (bar)	5
Min Preasure (bar)	0.5
Optimum preasure (bar)	1-4 (Recommended 3)
Max. temperature	85°C
Min temperature	65°C

TOSCANA

Series

IMEX
BATH EQUIPMENTS

CERTIFIES

That all our products, provided that they are used in normal conditions or installed in accordance with current standards, are guaranteed against any manufacturing defect for a period of five years, except for products purchased before January 1, 2020, which will have the mandatory coverage of 2 years from the date of invoice.

Requirements and exclusions

Failure to comply with the instructions for assembly, use and maintenance of our products on the packaging and in our catalogue and published on our website: www.imexproducts.es, releases IMEX PRODUCTS, S.L. from any liability.

In any case, the acceptance of the defect by our technical department is necessary. In addition, transport costs will be charged only in the event that on IMEX PRODUCTS, S.L. technician determines the proper functioning of our products.

IMEX PRODUCTS, S.L. will decide to repair the product or replace it. It will be necessary to present the purchase invoice.

Assembly, maintenance or repairs carried out by non-specialists are excluded from the warranty.

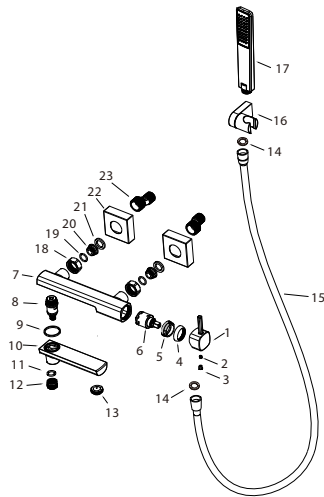
Wearing parts such as hoses, handles, seals, filters, aerators, etc. are not covered by the warranty.



**PRODUCT
INFORMATION
SUMMARY**

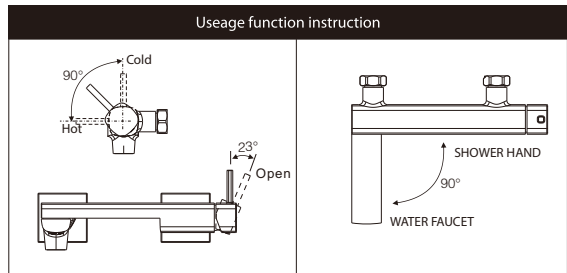
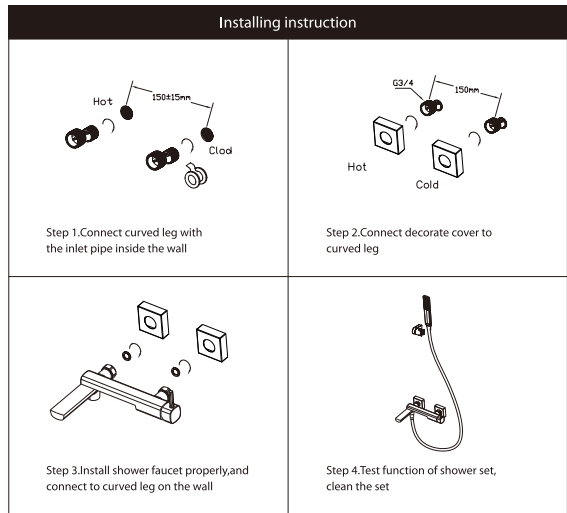


Ref.	EAN	Finish
BDT064-4	8435668065221	Chrome
BDT064-4BGM	8435668065245	Black gun metal
BDT064-4NG	8435668065238	Matte black
BDT064-4ORC	8435668065269	Brushed rose gold
BDT064-4OC	8435668065252	Brushed gold
BDT064-4NQ	8435668065276	Brushed nickel



CODE	NAME	MATERIAL	REF	CODE	NAME	MATERIAL	REF
1	Handle	Zinc	13	13	Aerator	M24x1mm	
2	Screw	SUS304/4x4mm		14	Rubber washer	NBR	
3	Button	ABS	15	15	Hose	PVC	FLX010*
4	Decorative cup	Brass	16	16	Shower base	ABS	SMD007*
5	Nut	Brass	17	17	Shower hand	ABS	MDH013*
6	Cartridge	28mm	18	18	Nut	Brass	
7	Body	Brass	19	19	O-ring	NBR	
8	Cartridge	Brass / 24mm	20	20	Valve	SUS 304	
9	Washer	POM	21	21	Rubber washer	NBR	
10	Outlet pipe	Brass	22	22	Cover	SUS 304	
11	O-ring	NBR	23	23	Cabrio leg	SUS 304	
12	Connect	Brass					

* CONSULTAR PARA ACABADOS DE COLOR



TOSCANA

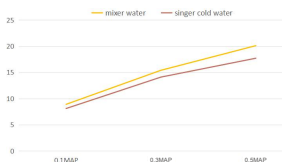
Series



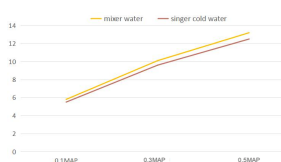
FLOW RATE

Detalles	
FLOW RATE REF	BDT064-4
water outlet mixer water 0.1Mpa(L/MIN)	8.9
water outlet mixer water 0.3Mpa(L/MIN)	15.4
water outlet mixer water 0.5Mpa(L/MIN)	20.1
water outlet singer cold water 0.1Mpa(L/MIN)	8.1
water outlet singer cold water 0.3Mpa(L/MIN)	14.1
water outlet singer cold water 0.5Mpa(L/MIN)	17.7
hand shower mixer water 0.1Mpa(L/MIN)	5.8
hand shower mixer water 0.3Mpa(L/MIN)	10.1
hand shower mixer water 0.5Mpa(L/MIN)	13.2
hand shower singer cold water 0.1Mpa(L/MIN)	5.5
hand shower singer cold water 0.3Mpa(L/MIN)	9.6
hand shower singer cold water 0.5Mpa(L/MIN)	12.5

water outlet
BDT064-4 flow rate L/MIN

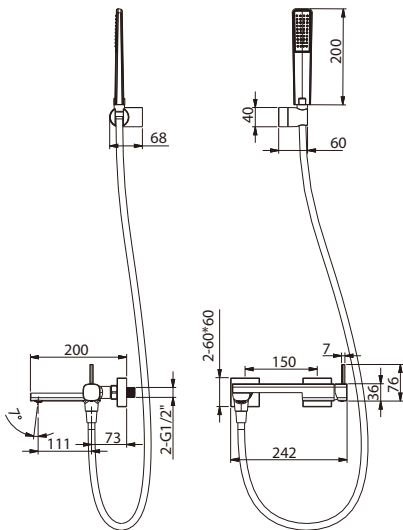


hand shower
BDT064-4 flow rate L/MIN



TOSCANA

Series



Product sizes (cm)	28*16*12.2
Weight (kg)	2
Guarantee	5 years
Max Preasure (bar)	5
Min Preasure (bar)	0.5
Optimum preasure (bar)	1-4 (Recommended 3)
Max. temperature	85°C
Min temperature	65°C

TOSCANA

Series



CERTIFIES

That all our products, provided that they are used in normal conditions or installed in accordance with current standards, are guaranteed against any manufacturing defect for a period of five years, except for products purchased before January 1, 2020, which will have the mand atory coverage of 2 years from the date of invoice.

Requirements and exclusions

Failure to comply with the instructions for assembly, use and maintenance of our products on the packaging and in our catalogue and published on our website: www.imexproducts.es, releases IMEX PRODUCTS, S.L. from any liability.

In any case, the acceptance of the defect by our technical department is necessary. In addition, transport costs will be charged only in the event that on IMEX PRODUCTS, S.L. technician determines the proper functioning of our products.

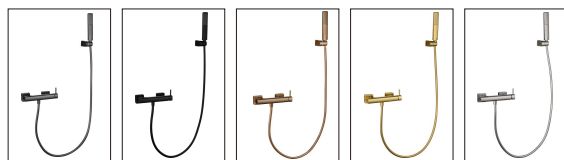
IMEX PRODUCTS, S.L. will decide to repair the product or replace it. It will be necessary to present the purchase invoice.

Assembly, maintenance or repairs carried out by non-specoalists re excluded from the warranty.

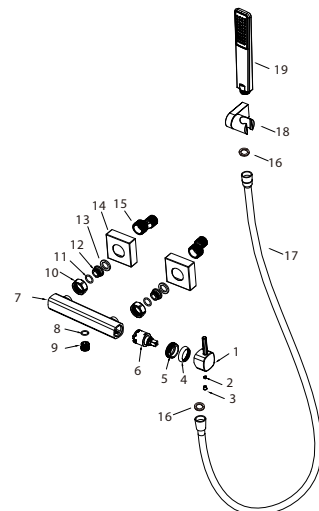
Wearing parts such as hoses, handles, seals, filters, aerators, etc. are not covered by the warranty.



**PRODUCT
INFORMATION
SUMMARY**

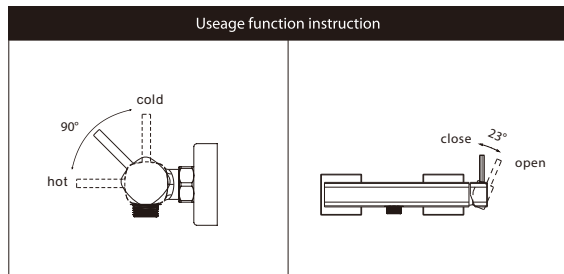
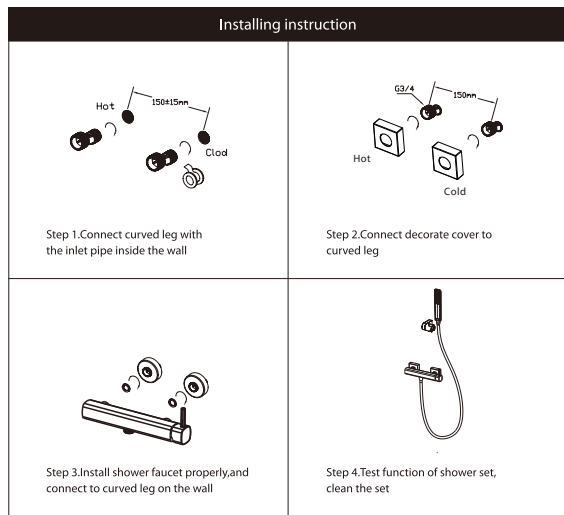


Ref.	EAN	Finish
BDT064-5	8435668065467	Chrome
BDT064-5BGM	8435668065481	Black gun metal
BDT064-5NG	8435668065474	Matte black
BDT064-5ORC	8435668065504	Brushed rose gold
BDT064-5OC	8435668065498	Brushed gold
BDT064-5NQ	8435668065511	Brushed nickel



CODE	NAME	MATERIAL	REF
1	Handle	Zinc	
2	Screw	SUS304/4x4mm	
3	Button	ABS	
4	Decorative cup	Brass	
5	Nut	Brass	
6	Cartridge	28mm	
7	Body	Brass	
8	O-ring	NBR	
9	Connect	Brass	
10	Nut	Brass	
11	O-ring	NBR	
12	Valve	SUS 304	
13	Rubber washer	NBR	
14	Cover	SUS 304	
15	Cabrio leg	SUS 304	
16	Rubber washer	NBR	
17	Hose	PVC	FLX010*
18	Shower base	ABS	SMD007*
19	Shower hand	ABS	MDH013*

* CONSULTAR PARA ACABADOS DE COLOR



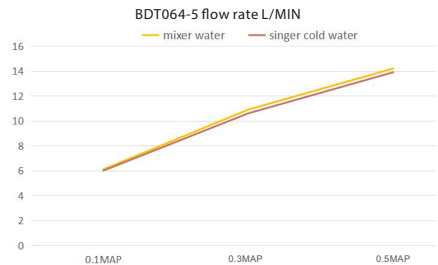
TOSCANA

Series

IMEX
BATH EQUIPMENTS

FLOW RATE

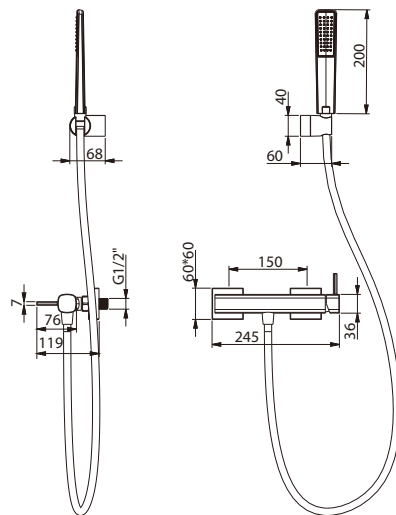
Detalles	
FLOW RATE REF	BDT064-5
mixer water 0.1Mpa(L/MIN)	6.1
mixer water 0.3Mpa(L/MIN)	10.9
mixer water 0.5Mpa(L/MIN)	14.2
singer cold water 0.1Mpa(L/MIN)	6
singer cold water 0.3Mpa(L/MIN)	10.6
singer cold water 0.5Mpa(L/MIN)	13.9



TOSCANA

Series

IMEX
BATH EQUIPMENTS



Product sizes (cm)	28*16*12.2
Weight (kg)	1.7
Guarantee	5 years
Max Preassure (bar)	5
Min Preassure (bar)	0.5
Optimum preassure (bar)	1-4 (Recommended 3)
Max. temperature	85°C
Min temperature	65°C

TOSCANA

Series

IMEX
BATH EQUIPMENTS

CERTIFIES

That all our products, provided that they are used in normal conditions or installed in accordance with current standards, are guaranteed against any manufacturing defect for a period of five years, except for products purchased before January 1, 2020, which will have the mandatory coverage of 2 years from the date of invoice.

Requirements and exclusions

Failure to comply with the instructions for assembly, use and maintenance of our products on the packaging and in our catalogue and published on our website: www.imexproducts.es, releases IMEX PRODUCTS, S.L. from any liability.

In any case, the acceptance of the defect by our technical department is necessary. In addition, transport costs will be charged only in the event that on IMEX PRODUCTS, S.L. technician determines the proper functioning of our products.

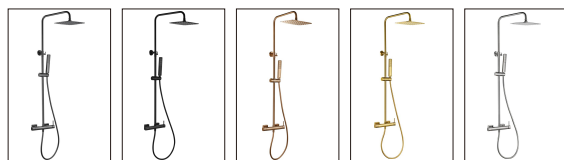
IMEX PRODUCTS, S.L. will decide to repair the product or replace it. It will be necessary to present the purchase invoice.

Assembly, maintenance or repairs carried out by non-specialists are excluded from the warranty.

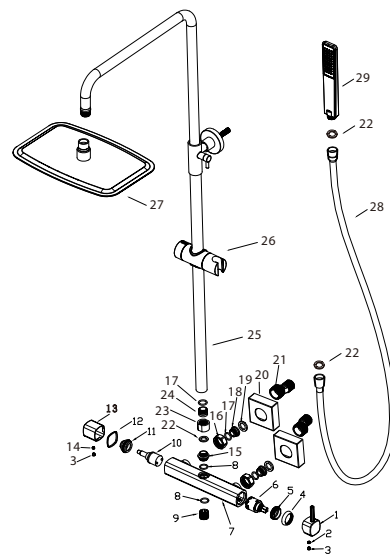
Wearing parts such as hoses, handles, seals, filters, aerators, etc. are not covered by the warranty.



PRODUCT INFORMATION SUMMARY



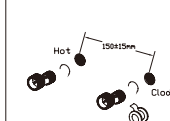
Ref.	EAN	Finish
BDT064	8435668065221	Chrome
BDT064/BGM	8435668065245	Black gun metal
BDT064/NG	8435668065238	Matte black
BDT064/ORC	8435668065269	Brushed rose gold
BDT064/OC	8435668065252	Brushed gold
BDT064/NQ	8435668065276	Brushed nickel



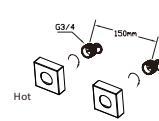
CODE	NAME	MATERIAL	REF	CODE	NAME	MATERIAL	REF
1	Handle	Zinc		16	Nut	Brass	
2	Screw	SUS304/4x4mm		17	O-ring	NBR	
3	Button	ABS		18	Valve	SUS 304	
4	Decorative cup	Brass		19	Rubber washer	NBR	
5	Nut	Brass		20	Cover	SUS 304	
6	Cartridge	28mm		21	Cabrio leg	SUS 304	
7	Body	Brass		22	Rubber washer	NBR	
8	O-ring	NBR		23	Nut	Brass	
9	Connect	Brass		24	Connect	Brass	
10	Cartridge	25mm up	CRT068*	25	Pipe	SUS 304	
11	Nut	Brass		26	Slider	ABS	
12	Washer	POM		27	Shower head	SUS 304	RDR001*
13	Handle	Zinc		28	Hose	PVC	FLX002*
14	Screw	SUS304		29	Shower hand	ABS	MDH013*
15	Connect	Brass					

* CONSULTAR PARA ACABADOS DE COLOR

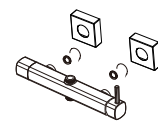
Installing instruction



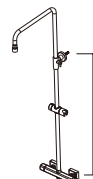
Step 1. Connect curved leg with the inlet pipe inside the wall



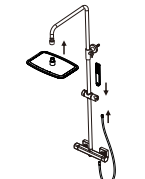
Step 2. Connect decorative cover to curved leg



Step 3. Install shower faucet properly and connect to curved leg on the wall



Step 4. Install shower pipe according to the distance of fix part

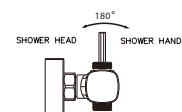
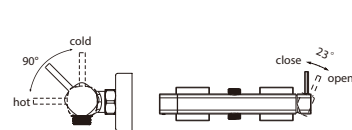


Step 5. Install shower hand and shower head to the set



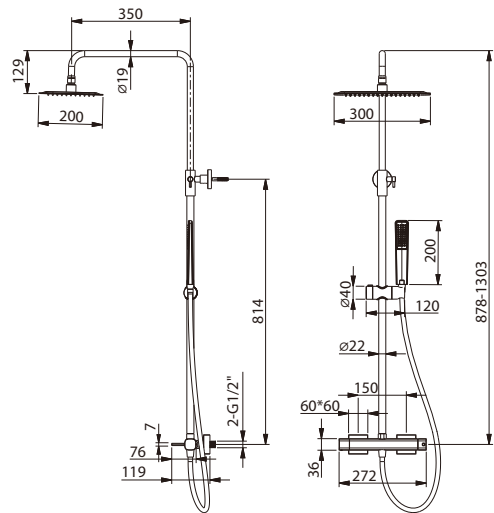
Step 6. Test function of shower set, clean the set

Usage function instruction



FLOW RATE

Detalles	
FLOW RATE REF	BDT064
hand shower mixer water 0.1Mpa(L/MIN)	6.1
hand shower mixer water 0.3Mpa(L/MIN)	10.7
hand shower mixer water 0.5Mpa(L/MIN)	13.9
hand shower singer cold water 0.1Mpa(L/MIN)	5.8
hand shower singer cold water 0.3Mpa(L/MIN)	10
hand shower singer cold water 0.5Mpa(L/MIN)	13
shower head mixer water 0.1Mpa(L/MIN)	8.5
shower head mixer water 0.3Mpa(L/MIN)	15
shower head mixer water 0.5Mpa(L/MIN)	19.5
shower head singer cold water 0.1Mpa(L/MIN)	7.5
shower head singer cold water 0.3Mpa(L/MIN)	13.4
shower head singer cold water 0.5Mpa(L/MIN)	17.3



Product sizes (cm)	42.5*13.3*90
Weight (kg)	5.5
Guarantee	5 years
Max Preassure (bar)	5
Min Preassure (bar)	0.5
Optimum preassure (bar)	1-4 (Recommended 3)
Max. temperature	85°C
Min temperature	65°C

CERTIFIES

That all our products, provided that they are used in normal conditions or installed in accordance with current standards, are guaranteed against any manufacturing defect for a period of five years, except for products purchased before January 1, 2020, which will have the mandatory coverage of 2 years from the date of invoice.

Requirements and exclusions

Failure to comply with the instructions for assembly, use and maintenance of our products on the packaging and in our catalogue and published on our website: www.imexproducts.es, releases IMEX PRODUCTS, S.L. from any liability.

In any case, the acceptance of the defect by our technical department is necessary. In addition, transport costs will be charged only in the event that on IMEX PRODUCTS, S.L. technician determines the proper functioning of our products.

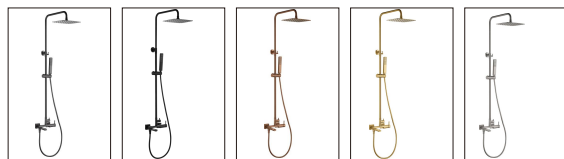
IMEX PRODUCTS, S.L. will decide to repair the product or replace it. It will be necessary to present the purchase invoice.

Assembly, maintenance or repairs carried out by non-specialists are excluded from the warranty.

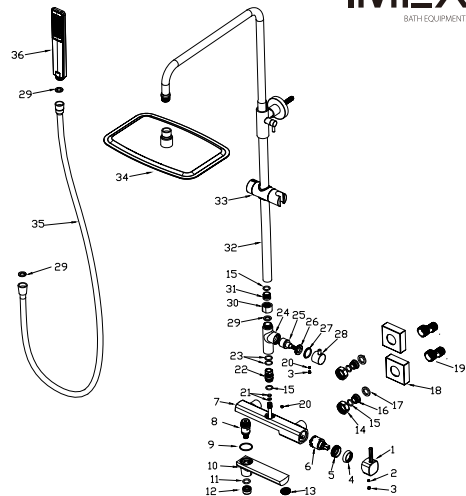
Wearing parts such as hoses, handles, seals, filters, aerators, etc. are not covered by the warranty.



PRODUCT INFORMATION SUMMARY



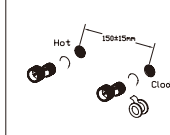
Ref.	EAN	Finish
BDT064-B	8435668065825	Chrome
BDT064-B/BGM	8435668065849	Black gun metal
BDT064-B/NG	8435668065832	Matte black
BDT064-B/ORC	8435668065863	Brushed rose gold
BDT064-B/OC	8435668065856	Brushed gold
BDT064-B/NQ	8435668065870	Brushed nickel



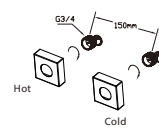
CODE	NAME	MATERIAL	REF	CODE	NAME	MATERIAL	REF
1	Handle	Zinc	20	Screw	SUS 304		
2	Screw	SUS 304	21	O-ring	NBR		
3	Button	ABS	22	Connect	Brass		
4	Decorative cup	Brass	23	O-ring	NBR		
5	Nut	Brass	24	Body	Brass		
6	Cartridge	28mm	25	Cartridge	22mm		
7	Body	Brass	26	Nut	Brass		
8	Cartridge	Brass / 24mm	27	Washer	POM		
9	Washer	POM	28	Handle	Zinc		
10	Outlet pipe	Brass	29	Rubber washer	NBR		
11	O-ring	NBR	30	Nut	Brass		
12	Connect	Brass	31	Valve	SUS 304		
13	Aerator	M24x1mm	32	Pipe	SUS 304		
14	Nut	Brass	33	Slider	ABS		
15	O-ring	NBR	34	Shower head	SUS 304	RDR001*	
16	Valve	SUS 304	35	Hose	PVC	FLX002*	
17	Rubber washer	NBR	36	Shower hand	ABS	MDH013*	
18	Cover	SUS 304					
19	Cabrio leg	SUS 304					

* CONSULTAR PARA ACABADOS DE COLOR

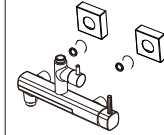
Installing instruction



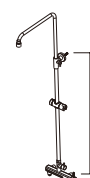
Step 1. Connect curved leg to the inlet pipe inside the wall



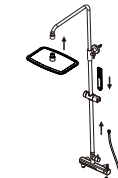
Step 2. Connect decorative cover to curved leg



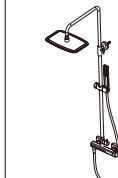
Step 3. Install shower faucet properly and connect to curved leg on the wall



Step 4. Install shower pipe according to the distance of fix part

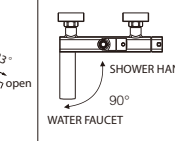
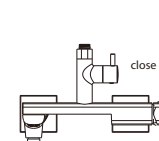
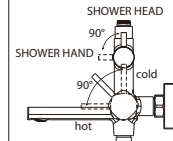


Step 5. Install shower hand and shower head to the set



Step 6. Test function of shower set, clean the set

Usage function instruction



TOSCANA

Series



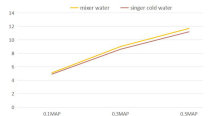
FLOW RATE

Detalles	
FLOW RATE REF	BDT064-B
water outlet mixer water 0.1Mpa(L/MIN)	6.9
water outlet mixer water 0.3Mpa(L/MIN)	12
water outlet mixer water 0.5Mpa(L/MIN)	15.7
water outlet singer cold water 0.1Mpa(L/MIN)	6.3
water outlet singer cold water 0.3Mpa(L/MIN)	11.1
water outlet singer cold water 0.5Mpa(L/MIN)	14.5
hand shower mixer water 0.1Mpa(L/MIN)	5.1
hand shower mixer water 0.3Mpa(L/MIN)	9
hand shower mixer water 0.5Mpa(L/MIN)	11.7
hand shower singer cold water 0.1Mpa(L/MIN)	4.9
hand shower singer cold water 0.3Mpa(L/MIN)	8.6
hand shower singer cold water 0.5Mpa(L/MIN)	11.2
shower head mixer water 0.1Mpa(L/MIN)	6.7
shower head mixer water 0.3Mpa(L/MIN)	12.2
shower head mixer water 0.5Mpa(L/MIN)	15.8
shower head singer cold water 0.1Mpa(L/MIN)	6.2
shower head singer cold water 0.3Mpa(L/MIN)	11.3
shower head singer cold water 0.5Mpa(L/MIN)	14.7

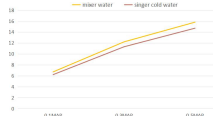
water outlet
BDT064-B flow rate L/MIN



hand shower
BDT064-B flow rate L/MIN

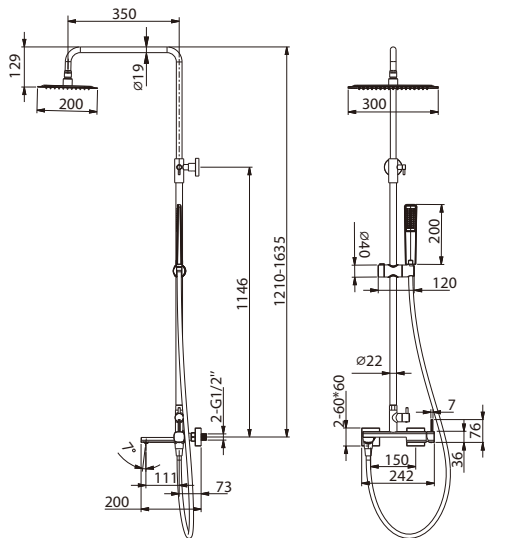


shower head
BDT064-B flow rate L/MIN



TOSCANA

Series



Product sizes (cm)	42.5*13.3*10.3
Weight (kg)	6
Guarantee	5 years
Max Pressure (bar)	5
Min Pressure (bar)	0.5
Optimum pressure (bar)	1-4 (Recommended 3)
Max. temperature	85°C
Min temperature	65°C

TOSCANA

Series



CERTIFIES

That all our products, provided that they are used in normal conditions or installed in accordance with current standards, are guaranteed against any manufacturing defect for a period of five years, except for products purchased before January 1, 2020, which will have the mandatory coverage of 2 years from the date of invoice.

Requirements and exclusions

Failure to comply with the instructions for assembly, use and maintenance of our products on the packaging and in our catalogue and published on our website: www.imexproducts.es, releases IMEX PRODUCTS, S.L. from any liability.

In any case, the acceptance of the defect by our technical department is necessary. In addition, transport costs will be charged only in the event that on IMEX PRODUCTS, S.L. technician determines the proper functioning of our products.

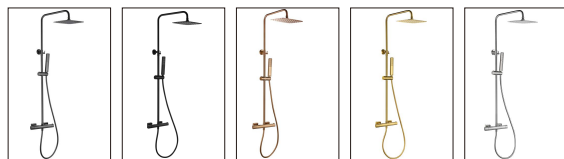
IMEX PRODUCTS, S.L. will decide to repair the product or replace it. It will be necessary to present the purchase invoice.

Assembly, maintenance or repairs carried out by non-specialists are excluded from the warranty.

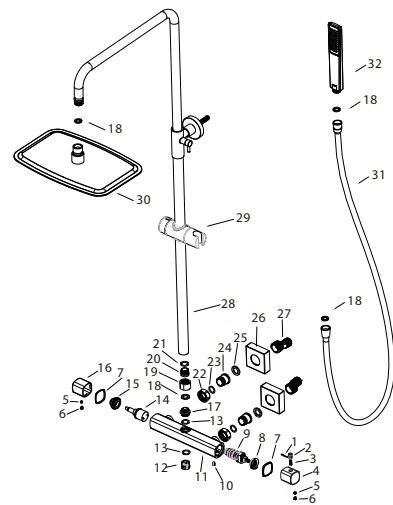
Wearing parts such as hoses, handles, seals, filters, aerators, etc. are not covered by the warranty.



PRODUCT INFORMATION SUMMARY



Ref.	EAN	Finish
BTT064	8435668065580	Chrome
BTT064/BGM	8435668065603	Black gun metal
BTT064/NG	8435668065597	Matte black
BTT064/ORC	8435668065627	Brushed rose gold
BTT064/OC	8435668065610	Brushed gold
BTT064/NQ	8435668065634	Brushed nickel

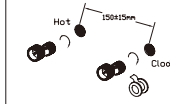


CODE	NAME	MATERIAL	REF	CODE	NAME	MATERIAL	REF
1	Pin	SUS 304		17	Connect	Brass	
2	Handle lever	Brass		18	Rubber washer	NBR	
3	Spring	SUS 304		19	Nut	Brass	
4	Handle	Zinc		20	Valve	SUS 304	
5	Screw	SUS304/4x6mm		21	O-ring	NBR	
6	Cover	ABS		22	Nut	Brass	
7	Washer	POM		23	O-ring	NBR	
8	Washer	POM		24	Valve	SUS 304	
9	Cartridge	30mm		25	Rubber washer	NBR	
10	Screw	SUS304/5x10mm		26	Cover	SUS 304	
11	Body	Brass		27	Cabrio leg	SUS 304	
12	Connect	Brass		28	Pipe	SUS 304	
13	O-ring	NBR		29	Slider	ABS	
14	Cartridge	25mm up		30	Shower head	SUS 304	
15	Nut	Brass		31	Hose	PVC	
16	Handle	Zinc		32	Shower hand	ABS	

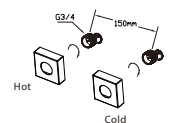
* CONSULTAR PARA ACABADOS DE COLOR

RDR001*
FLX002*
MDH013*

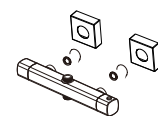
Installing instruction



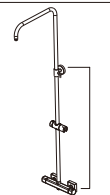
Step 1. Connect curved leg with the inlet pipe inside the wall



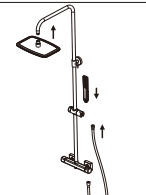
Step 2. Connect decorate cover to curved leg



Step 3. Install shower faucet properly and connect to curved leg on the wall



Step 4. Install shower pipe according to the distance of fix part

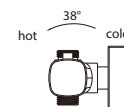


Step 5. Install shower hand and shower head to the set

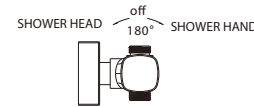


Step 6. Test function of shower set, clean the set

Usage function instruction



hot 38° cold



SHOWER HEAD off 180° SHOWER HAND

TOSCANA

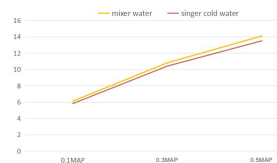
Series



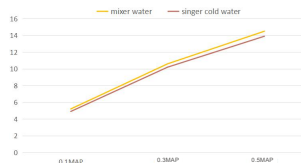
FLOW RATE

Detalles	
FLOW RATE REF	BTT064
hand shower mixer water 0.1Mpa(L/MIN)	6.1
hand shower mixer water 0.3Mpa(L/MIN)	10.8
hand shower mixer water 0.5Mpa(L/MIN)	14.1
hand shower singer cold water 0.1Mpa(L/MIN)	5.8
hand shower singer cold water 0.3Mpa(L/MIN)	10.4
hand shower singer cold water 0.5Mpa(L/MIN)	13.5
shower head mixer water 0.1Mpa(L/MIN)	5.2
shower head mixer water 0.3Mpa(L/MIN)	10.6
shower head mixer water 0.5Mpa(L/MIN)	14.5
shower head singer cold water 0.1Mpa(L/MIN)	4.9
shower head singer cold water 0.3Mpa(L/MIN)	10.2
shower head singer cold water 0.5Mpa(L/MIN)	13.9

hand shower
BTT064 flow rate L/MIN

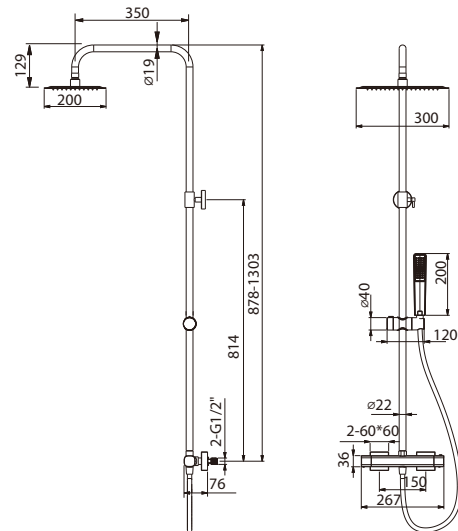


shower head
BTT064 flow rate L/MIN



TOSCANA

Series



Product sizes (cm)	42.5*13.3*90
Weight (kg)	5.5
Guarantee	5 years
Max Preasure (bar)	5
Min Preasure (bar)	0.5
Optimum preasure (bar)	1-4 (Recommended 3)
Max. temperature	85°C
Min temperature	65°C

TOSCANA

Series



CERTIFIES

That all our products, provided that they are used in normal conditions or installed in accordance with current standards, are guaranteed against any manufacturing defect for a period of five years, except for products purchased before January 1, 2020, which will have the mand atory coverage of 2 years from the date of invoice.

Requirements and exclusions

Failure to comply with the instructions for assembly, use and maintenance of our products on the packaging and in our catalogue and published on our website: www.imexproducts.es, releases IMEX PRODUCTS, S.L. from any liability.

In any case, the acceptance of the defect by our technical department is necessary. In addition, transport costs will be charged only in the event that on IMEX PRODUCTS, S.L. technician determines the proper functioning of our products.

IMEX PRODUCTS, S.L. will decide to repair the product or replace it. It will be necessary to present the purchase invoice.

Assembly, maintenance or repairs carried out by non-specoalists re excluded from the warranty.

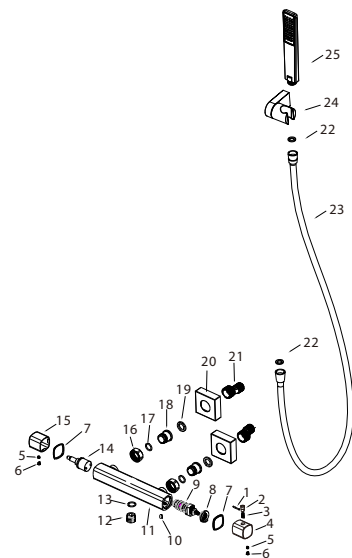
Wearing parts such as hoses, handles, seals, filters, aerators, etc. are not covered by the warranty.



**PRODUCT
INFORMATION
SUMMARY**

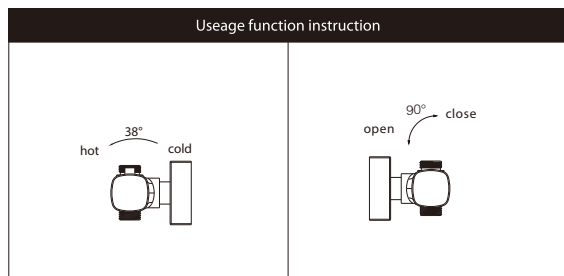
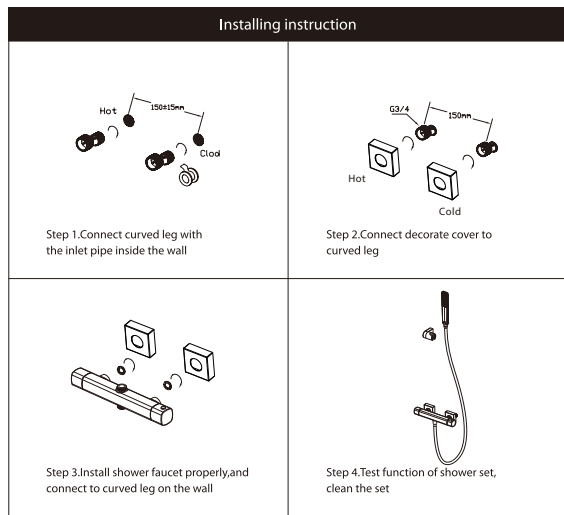


Ref.	EAN	Finish
BTT064-5	8435668065702	Chrome
BTT064-5BGM	8435668065726	Black gun metal
BTT064-5NG	8435668065719	Matte black
BTT064-5ORC	8435668065740	Brushed rose gold
BTT064-5OC	8435668065733	Brushed gold
BTT064-5NQ	8435668065757	Brushed nickel



CODE	NAME	MATERIAL	REF	CODE	NAME	MATERIAL	REF
1	Pin	SUS 304		14	Cartridge	21 mm	
2	Handle lever	Brass		15	Handle	Zinc	
3	Spring	SUS 304		16	Nut	Brass	
4	Handle	Zinc		17	O-ring	NBR	
5	Screw	SUS304/4x6mm		18	Valve	SUS 304	
6	Button	ABS		19	Rubber washer	NBR	
7	Washer	POM		20	Cover	SUS 304	
8	Washer	POM		21	Cabrio leg	SUS 304	
9	Cartridge	30mm		22	Rubber washer	NBR	
10	Screw	SUS304/5x10mm		23	Hose	PVC	FLX010*
11	Body	Brass		24	Shower base	ABS	SMD007*
12	Connect	Brass		25	Shower hand	ABS	MDH013*
13	O-ring	NBR					

* CONSULTAR PARA ACABADOS DE COLOR



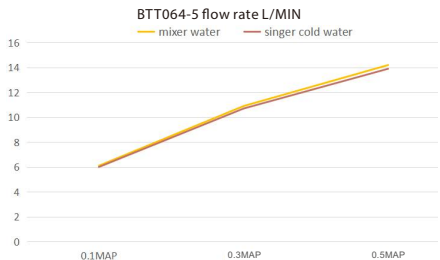
TOSCANA

Series

IMEX
BATH EQUIPMENTS

FLOW RATE

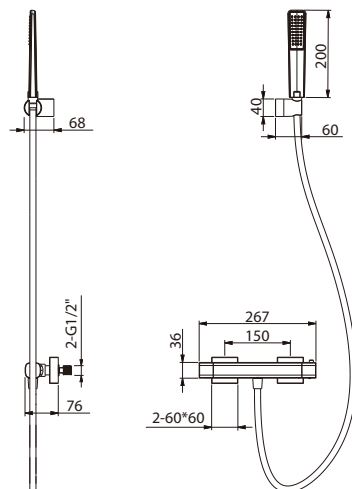
Detalles	
FLOW RATE REF	BTT064-5
mixer water 0.1Mpa(L/MIN)	6.1
mixer water 0.3Mpa(L/MIN)	10.9
mixer water 0.5Mpa(L/MIN)	14.2
singer cold water 0.1Mpa(L/MIN)	6
singer cold water 0.3Mpa(L/MIN)	10.7
singer cold water 0.5Mpa(L/MIN)	13.9



TOSCANA

Series

IMEX
BATH EQUIPMENTS



Product sizes (cm)	33*19.5*10.5
Weight (kg)	1.9
Guarantee	5 years
Max Preassure (bar)	5
Min Preassure (bar)	0.5
Optimum preassure (bar)	1-4 (Recommended 3)
Max. temperature	85°C
Min temperature	65°C

TOSCANA

Series

IMEX
BATH EQUIPMENTS

CERTIFIES

That all our products, provided that they are used in normal conditions or installed in accordance with current standards, are guaranteed against any manufacturing defect for a period of five years, except for products purchased before January 1, 2020, which will have the mand atory coverage of 2 years from the date of invoice.

Requirements and exclusions

Failure to comply with the instructions for assembly, use and maintenance of our products on the packaging and in our catalogue and published on our website: www.imexproducts.es, releases IMEX PRODUCTS, S.L. from any liability.

In any case, the acceptance of the defect by our technical department is necessary. In addition, transport costs will be charged only in the event that on IMEX PRODUCTS, S.L. technician determines the proper functioning of our products.

IMEX PRODUCTS, S.L. will decide to repair the product or replace it. It will be necessary to present the purchase invoice.

Assembly, maintenance or repairs carried out by non-specoalists re excluded from the warranty.

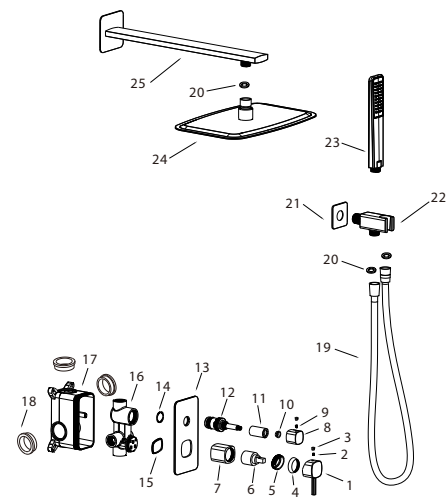
Wearing parts such as hoses, handles, seals, filters, aerators, etc. are not covered by the warranty.



PRODUCT INFORMATION SUMMARY

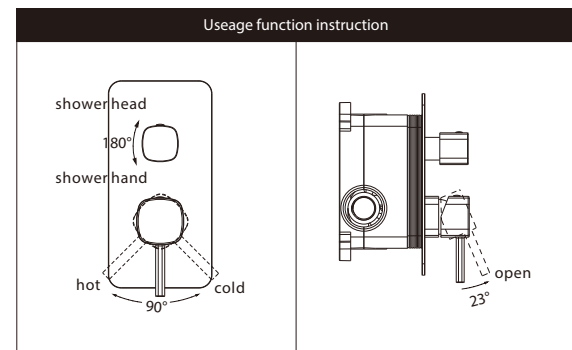
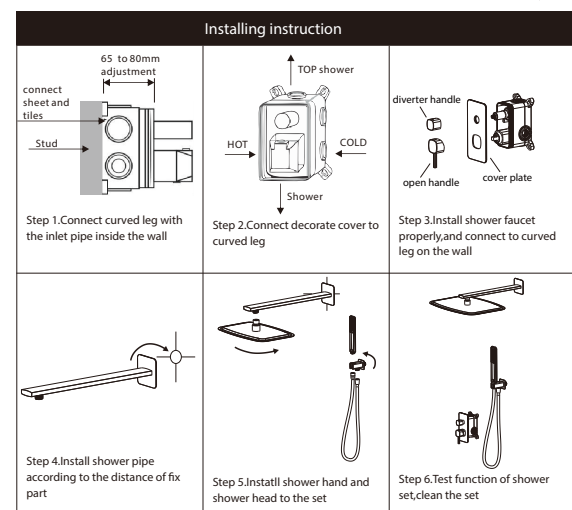


Ref.	EAN	Finish
GPT064	8435668066129	Chrome
GPT064/BGM	8435668066143	Black gun metal
GPT064/NG	8435668066136	Matte black
GPT064/ORC	8435668066167	Brushed rose gold
GPT064/OC	8435668066150	Brushed gold
GPT064/NQ	8435668066174	Brushed nickel



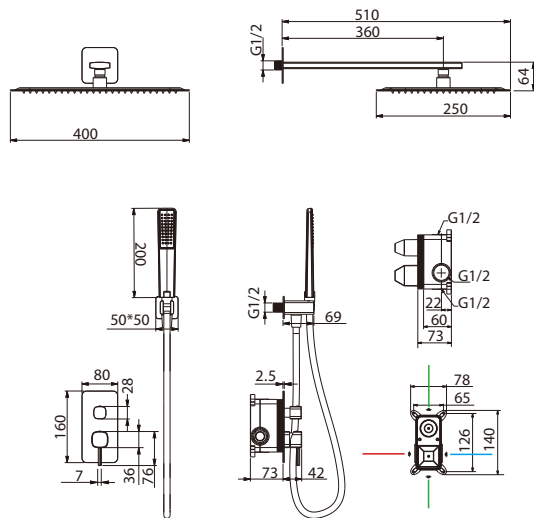
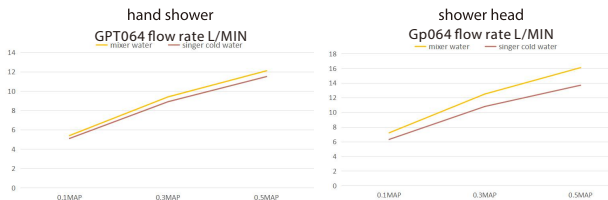
CODE	NAME	MATERIAL	REF	CODE	NAME	MATERIAL	REF
1	Handle	Zinc	14	O-ring	NBR		
2	Screw	SUS304/4x4mm	15	O-ring	NBR		
3	Button	ABS	16	Body	Brass		
4	Cover	Brass	17	BOX	ABS		
5	Nut	Brass	18	Rubber ring	NBR		
6	Cartridge	28mm	19	Hose	PVC	FLX002*	
7	Cartridge cover	Brass	20	Rubber washer	NBR		
8	Handle	Zinc	21	Cover	Brass		
9	Screw	SUS304/4x6mm	22	Shower base	Brass		
10	Washer	POM	23	Shower hand	ABS	MDH013*	
11	Cover	Brass	24	Shower head	SUS 304	RDR002*	
12	Cartridge	Brass/27mm	CRT060*	Hose	SUS 304	BPC005*	
13	Decorative plate	SUS 304					

* CONSULTAR PARA ACABADOS DE COLOR



FLOW RATE

Detalles	
FLOW RATE REF	GPT064
hand shower mixer water 0.1Mpa(L/MIN)	5.4
hand shower mixer water 0.3Mpa(L/MIN)	9.4
hand shower mixer water 0.5Mpa(L/MIN)	12.1
hand shower singer cold water 0.1Mpa(L/MIN)	5.1
hand shower singer cold water 0.3Mpa(L/MIN)	8.9
hand shower singer cold water 0.5Mpa(L/MIN)	11.5
shower head mixer water 0.1Mpa(L/MIN)	7.2
shower head mixer water 0.3Mpa(L/MIN)	12.5
shower head mixer water 0.5Mpa(L/MIN)	16.1
shower head singer cold water 0.1Mpa(L/MIN)	6.3
shower head singer cold water 0.3Mpa(L/MIN)	10.8
shower head singer cold water 0.5Mpa(L/MIN)	13.7



Product sizes (cm)	43*30*14
Weight (kg)	4.9
Guarantee	5 years
Max Preasure (bar)	5
Min Preasure (bar)	0.5
Optimum preasure (bar)	1-4 (Recommended 3)
Max. temperature	85°C
Min temperature	65°C

CERTIFIES

That all our products, provided that they are used in normal conditions or installed in accordance with current standards, are guaranteed against any manufacturing defect for a period of five years, except for products purchased before January 1, 2020, which will have the mandatory coverage of 2 years from the date of invoice.

Requirements and exclusions

Failure to comply with the instructions for assembly, use and maintenance of our products on the packaging and in our catalogue and published on our website: www.imexproducts.es, releases IMEX PRODUCTS, S.L. from any liability.

In any case, the acceptance of the defect by our technical department is necessary. In addition, transport costs will be charged only in the event that on IMEX PRODUCTS, S.L. technician determines the proper functioning of our products.

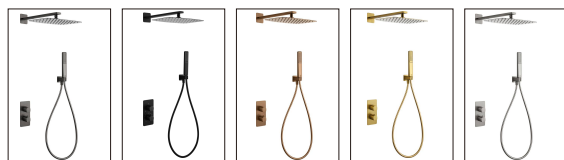
IMEX PRODUCTS, S.L. will decide to repair the product or replace it. It will be necessary to present the purchase invoice.

Assembly, maintenance or repairs carried out by non-specialists are excluded from the warranty.

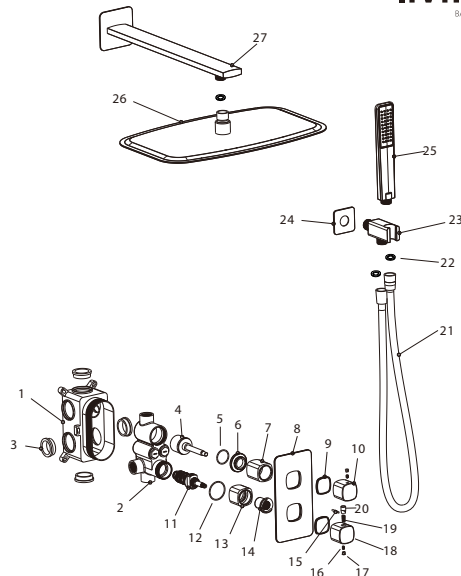
Wearing parts such as hoses, handles, seals, filters, aerators, etc. are not covered by the warranty.



PRODUCT INFORMATION SUMMARY



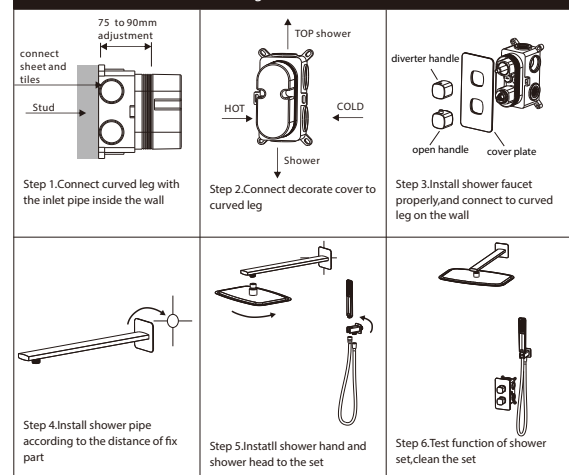
Ref.	EAN	Finish
GTT064	8435668066242	Chrome
GTT064/BGM	8435668066266	Black gun metal
GTT064/NG	8435668066259	Matte black
GTT064/ORC	8435668066280	Brushed rose gold
GTT064/OC	8435668066273	Brushed gold
GTT064/NQ	8435668066297	Brushed nickel



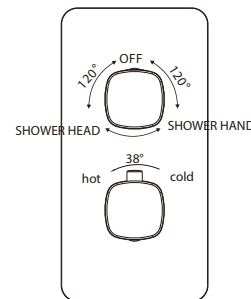
CODE	NAME	MATERIAL	REF	CODE	NAME	MATERIAL	REF
1	BOX	ABS		15	Pin	SUS 304	
2	Body	Brass		16	Screw	SUS304/4x6mm	
3	Rubber ring	NBR		17	Button	ABS	
4	Cartridge	33mm		18	Handle	Zinc	
5	O-ring	NBR		19	Spring	SUS 304	
6	Nut	Brass		20	Handle lever	Brass	
7	Cartridge cover	Brass		21	Hose	PVC	FLX002*
8	Decorative plate	SUS 304		22	Rubber washer	NBR	
9	Washer	POM		23	Shower base	Brass	
10	Handle	Zinc		24	Cover	Brass	
11	Cartridge	30mm		25	Shower hand	ABS	MDH013*
12	O-ring	NBR		26	Shower head	SUS 304	RDR002*
13	Cartridge cover	Brass		27	Hose	SUS 304	BPC005*
14	Washer	POM					

* CONSULTAR PARA ACABADOS DE COLOR

Installing instruction

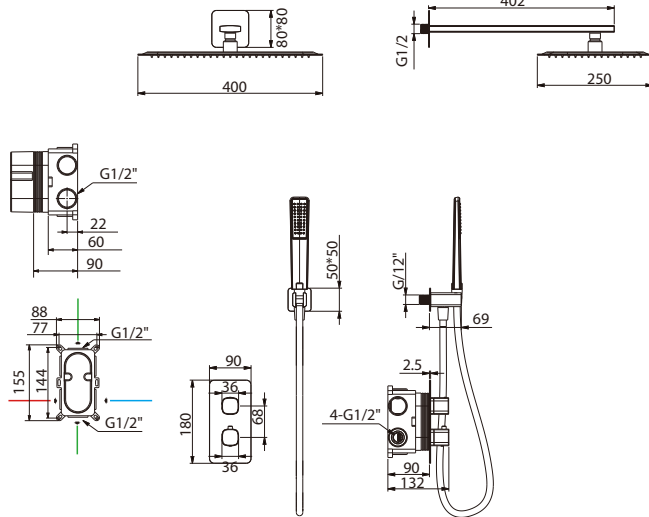


Usage function instruction



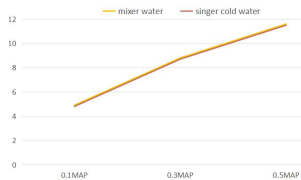
FLOW RATE

Detalles	
FLOW RATE REF	GTT064
hand shower mixer water 0.1Mpa(L/MIN)	4.9
hand shower mixer water 0.3Mpa(L/MIN)	8.8
hand shower mixer water 0.5Mpa(L/MIN)	11.6
hand shower singer cold water 0.1Mpa(L/MIN)	4.8
hand shower singer cold water 0.3Mpa(L/MIN)	8.7
hand shower singer cold water 0.5Mpa(L/MIN)	11.5
shower head mixer water 0.1Mpa(L/MIN)	6.5
shower head mixer water 0.3Mpa(L/MIN)	11.7
shower head mixer water 0.5Mpa(L/MIN)	15.3
shower head singer cold water 0.1Mpa(L/MIN)	6.4
shower head singer cold water 0.3Mpa(L/MIN)	11.5
shower head singer cold water 0.5Mpa(L/MIN)	14.8

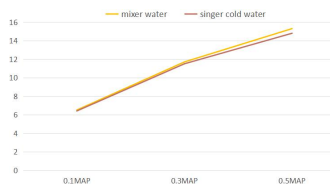


Product sizes (cm)	43*30*14
Weight (kg)	5.45
Guarantee	5 years
Max Preassure (bar)	5
Min Preassure (bar)	0.5
Optimum preassure (bar)	1-4 (Recommended 3)
Max. temperature	85°C
Min temperature	65°C

hand shower
GTT064 flow rate L/MIN



shower head
GTT064 flow rate L/MIN



CERTIFIES

That all our products, provided that they are used in normal conditions or installed in accordance with current standards, are guaranteed against any manufacturing defect for a period of five years, except for products purchased before January 1, 2020, which will have the mandatory coverage of 2 years from the date of invoice.

Requirements and exclusions

Failure to comply with the instructions for assembly, use and maintenance of our products on the packaging and in our catalogue and published on our website: www.imexproducts.es, releases IMEX PRODUCTS, S.L. from any liability.

In any case, the acceptance of the defect by our technical department is necessary. In addition, transport costs will be charged only in the event that on IMEX PRODUCTS, S.L. technician determines the proper functioning of our products.

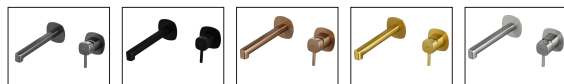
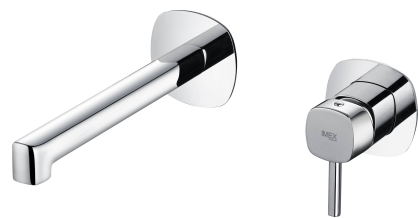
IMEX PRODUCTS, S.L. will decide to repair the product or replace it. It will be necessary to present the purchase invoice.

Assembly, maintenance or repairs carried out by non-specialists are excluded from the warranty.

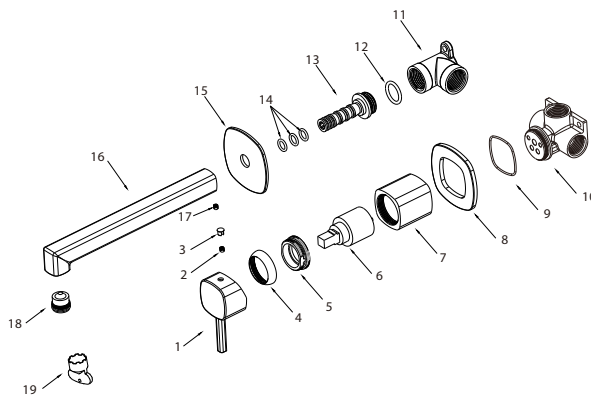
Wearing parts such as hoses, handles, seals, filters, aerators, etc. are not covered by the warranty.



**PRODUCT
INFORMATION
SUMMARY**



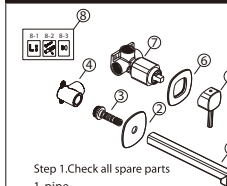
Ref.	EAN	Finish
GLT064	8435668065948	Chrome
GLT064/BGM	8435668065962	Black gun metal
GLT064/NG	8435668065955	Matte black
GLT064/ORC	8435668065986	Brushed rose gold
GLT064/OC	8435668065979	Brushed gold
GLT064/NQ	8435668065993	Brushed nickel



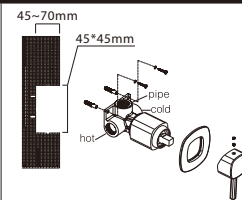
CODE	NAME	MATERIAL	REF
1	Handle	Zinc	
2	Screw	SUS304 / 4#4mm	
3	Button	ABS	
4	Cover	Brass	
5	Nut	Brass	
6	Cartridge	28mm	
7	Cartridge cover	Brass	
8	Cover	SUS 304	
9	O-ring	NBR	
10	Body	Brass	
11	Connector	Brass	
12	O-ring	NBR	
13	Connect	Brass	
14	O-ring	NBR	
15	Cover	SUS 304	
16	Outlet pipe	Brass	
17	Screw	SUS304 / 5#5mm	
18	Aerator	16.5x1mm	SAT-AIR060*
19	Aerator spanner	plastic	SAT-KEY*

* CONSULTAR PARA ACABADOS DE COLOR

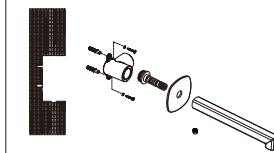
Installing instruction



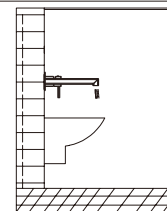
- Step 1. Check all spare parts
 1-pipe
 2-cover plate of pipe
 3-Connect
 4-body to pipe
 5-handle
 6-cover plate of handle
 7-body to handle
 8-spare part bag



- Step 2. Dig hole for body to handle
 2.1-Hole size 45*45mm, depth from 45 to 70mm
 2.2-Dig two 6mm holes with 54mm distance
 2.3- Assemble spare parts as picture shows

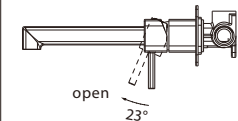
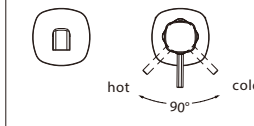


- Step 3. Dig hole for body to pipe
 3.1-Hole size 45*45mm, depth 40mm
 3.2-Dig two 6mm holes with 35mm distance
 3.3-Assemble spare parts as picture shows



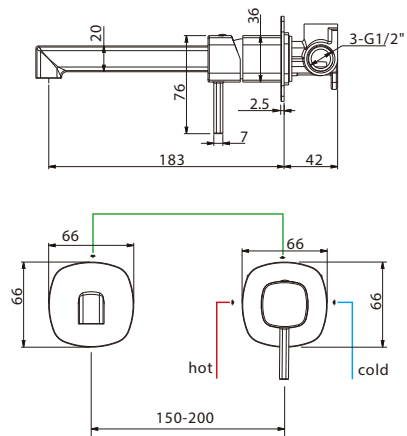
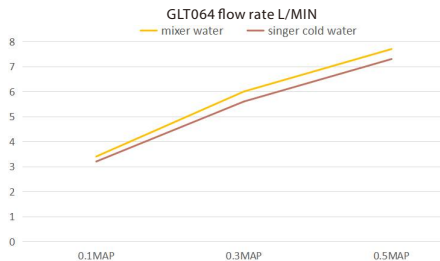
- Step 4. Connect inside pipe and test for leak checking

Usage function instruction



FLOW RATE

Detalles	
FLOW RATE REF	GLT065
mixer water 0.1Mpa(L/MIN)	3.4
mixer water 0.3Mpa(L/MIN)	6
mixer water 0.5Mpa(L/MIN)	7.7
singer cold water 0.1Mpa(L/MIN)	3.2
singer cold water 0.3Mpa(L/MIN)	5.6
singer cold water 0.5Mpa(L/MIN)	7.3



Product sizes (cm)	29*17.5*6.7
Weight (kg)	1.2
Guarantee	5 years
Max Preasure (bar)	5
Min Preasure (bar)	0.5
Optimum preasure (bar)	1-4 (Recommended 3)
Max. temperature	85°C
Min temperature	65°C

CERTIFIES

That all our products, provided that they are used in normal conditions or installed in accordance with current standards, are guaranteed against any manufacturing defect for a period of five years, except for products purchased before January 1, 2020, which will have the mandatory coverage of 2 years from the date of invoice.

Requirements and exclusions

Failure to comply with the instructions for assembly, use and maintenance of our products on the packaging and in our catalogue and published on our website: www.imexproducts.es, releases IMEX PRODUCTS, S.L. from any liability.

In any case, the acceptance of the defect by our technical department is necessary. In addition, transport costs will be charged only in the event that on IMEX PRODUCTS, S.L. technician determines the proper functioning of our products.

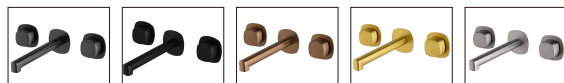
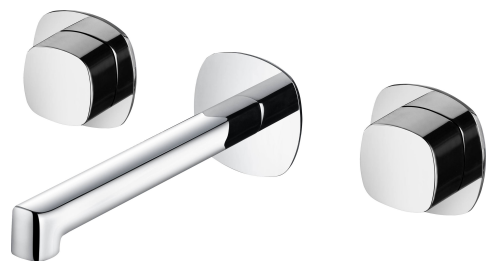
IMEX PRODUCTS, S.L. will decide to repair the product or replace it. It will be necessary to present the purchase invoice.

Assembly, maintenance or repairs carried out by non-specialists are excluded from the warranty.

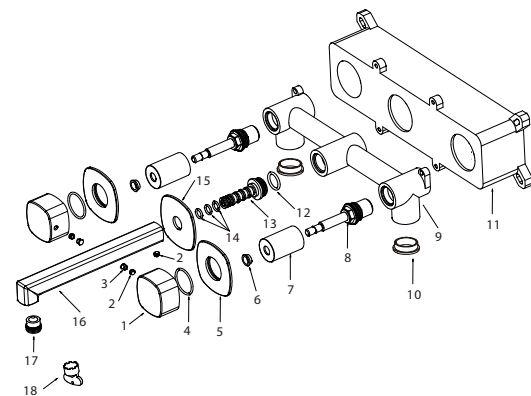
Wearing parts such as hoses, handles, seals, filters, aerators, etc. are not covered by the warranty.



**PRODUCT
INFORMATION
SUMMARY**



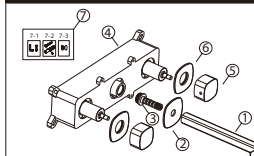
Ref.	EAN	Finish
BPT064	8435668066006	Chrome
BPT064/BGM	8435668066020	Black gun metal
BPT064/NG	8435668066013	Matte black
BPT064/ORC	8435668066044	Brushed rose gold
BPT064/OC	8435668066037	Brushed gold
BPT064/NQ	8435668066051	Brushed nickel



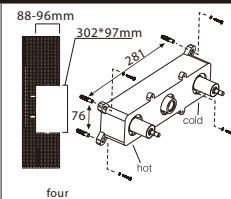
CODE	NAME	MATERIAL	REF
1	Handle	Zinc	
2	Screw	SUS304 / 5*5mm	
3	Button	ABS	
4	O-ring	NBR	
5	Cover	SUS 304	
6	Washer	POM	
7	Cartridge cover	Brass	
8	Cartridge	21 mm	
9	Body	Brass	
10	Rubber ring	NBR	
11	BOX	ABS	
12	O-ring	NBR	
13	Connect	Brass	
14	O-ring	NBR	
15	Cover	SUS 304	
16	Outlet pipe	Brass	
17	Aerator	16.5x1mm	SAT-AIR060*
18	Aerator spanner	plastic	SAT-KEY*

* CONSULTAR PARA ACABADOS DE COLOR

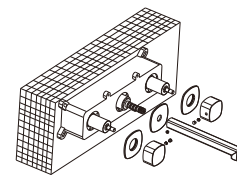
Installing instruction



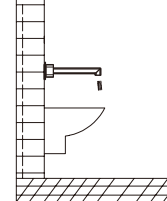
- Step 1. Check all spare parts
- 1-pipe
 - 2-cover plate of pipe
 - 3-Connect
 - 4-body
 - 5-handle*2
 - 6-cover plate of handle*2
 - 7-spare part bag



- Step 2. Dig hole for body to handle
- 2.1-Hole size 302*97mm depth from 88-96mm
 - 2.2-Dig four 6mm holes with 281*76mm distance
 - 2.3-Assemble spare parts as picture shows

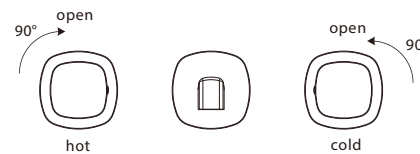


Step 3: installing handles and connect inside pipe



Step 4. Connect inside pipe and test for leak checking

Usage function instruction



TOSCANA

Series

IMEX
BATH EQUIPMENTS

TOSCANA

Series

IMEX
BATH EQUIPMENTS

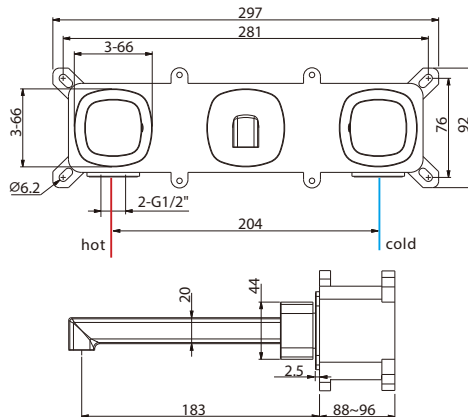
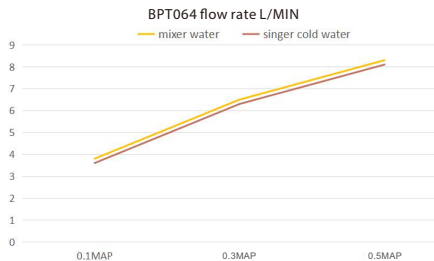
TOSCANA

Series

IMEX
BATH EQUIPMENTS

FLOW RATE

Detalles	
FLOW RATE REF	BPT064
mixer water 0.1Mpa(L/MIN)	3.8
mixer water 0.3Mpa(L/MIN)	6.5
mixer water 0.5Mpa(L/MIN)	8.3
singer cold water 0.1Mpa(L/MIN)	3.6
singer cold water 0.3Mpa(L/MIN)	6.3
singer cold water 0.5Mpa(L/MIN)	8.1



Product sizes (cm)	38*22*12
Weight (kg)	2.3
Guarantee	5 years
Max Preassure (bar)	5
Min Preassure (bar)	0.5
Optimum preassure (bar)	1-4 (Recommended 3)
Max. temperature	85°C
Min temperature	65°C

CERTIFIES

That all our products, provided that they are used in normal conditions or installed in accordance with current standards, are guaranteed against any manufacturing defect for a period of five years, except for products purchased before January 1, 2020, which will have the mandatory coverage of 2 years from the date of invoice.

Requirements and exclusions

Failure to comply with the instructions for assembly, use and maintenance of our products on the packaging and in our catalogue and published on our website: www.imexproducts.es, releases IMEX PRODUCTS, S.L. from any liability.

In any case, the acceptance of the defect by our technical department is necessary. In addition, transport costs will be charged only in the event that on IMEX PRODUCTS, S.L. technician determines the proper functioning of our products.

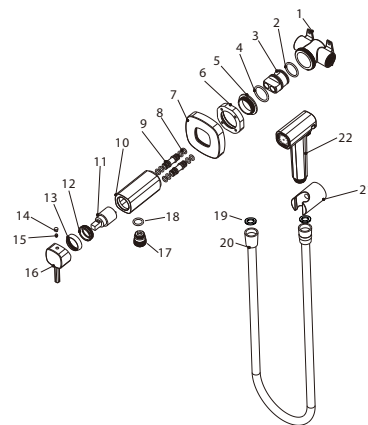
IMEX PRODUCTS, S.L. will decide to repair the product or replace it. It will be necessary to present the purchase invoice.

Assembly, maintenance or repairs carried out by non-specialists are excluded from the warranty.

Wearing parts such as hoses, handles, seals, filters, aerators, etc. are not covered by the warranty.



PRODUCT INFORMATION SUMMARY

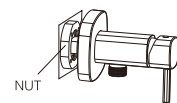
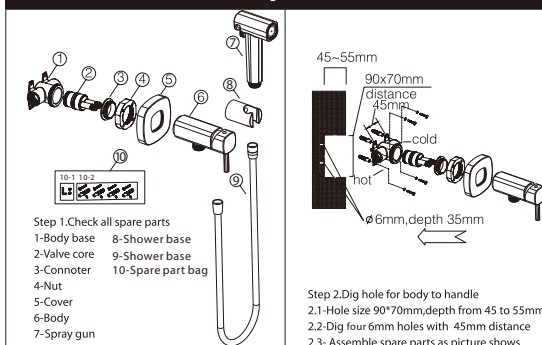


Ref.	EAN	Finish
RDT064	8435668066488	Chrome
RDT064/BGM	8435668066501	Black gun metal
RDT064/NG	8435668066495	Matte black
RDT064/ORC	8435668066525	Brushed rose gold
RDT064/OC	8435668066518	Brushed gold
RDT064/NQ	8435668066532	Brushed nickel

CODE	NAME	MATERIAL	REF
1	Body	Brass	
2	O-ring	NBR	
3	Connect	Brass	
4	O-ring	NBR	
5	Connect	Brass	
6	Nut	Brass	
7	Cover	SUS304	
8	O-ring	NBR	
9	Hose	Brass	
10	Body	Brass	
11	Cartridge	25mm	CR1018*
12	Nut	Brass	
13	Cover	ABS	
14	Button	ABS	
15	Screw	SUS304/ 4*4mm	
16	Handle	Zinc	
17	Connect	Brass	
18	O-ring	NBR	
19	Rubber washer	NBR	
20	Hose	SUS 304/PVC	FLX008*
21	Shower base	ABS	SMD001
22	Spray gun	ABS 304	

* CONSULTAR PARA ACABADOS DE COLOR

Installing instruction

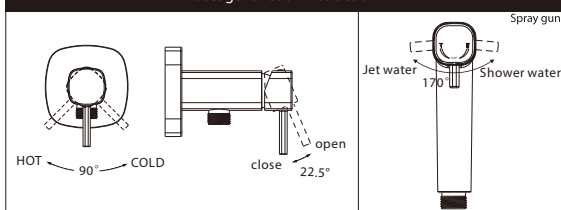


Step 3. Lock the nuts on the body base.



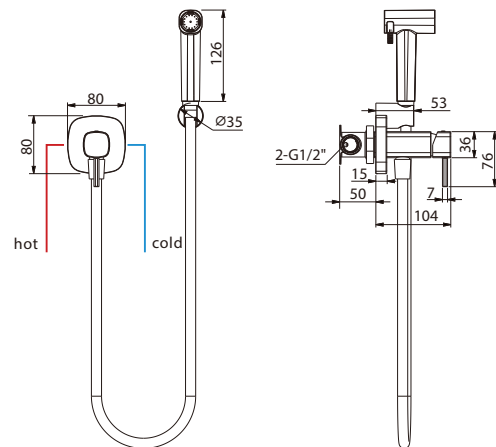
Step 4. Connect inside pipe and test for leak checking

Usage function instruction



FLOW RATE

Detalles	
FLOW RATE REF	RDT064
Jet water mixer water 0.1Mpa(L/MIN)	1.8
Jet water mixer water 0.3Mpa(L/MIN)	3.2
Jet water mixer water 0.5Mpa(L/MIN)	4
Jet water singer cold water 0.1Mpa(L/MIN)	1.7
Jet water singer cold water 0.3Mpa(L/MIN)	3
Jet water singer cold water 0.5Mpa(L/MIN)	3.9
Shower water mixer water 0.1Mpa(L/MIN)	5
Shower water mixer water 0.3Mpa(L/MIN)	8.7
Shower water mixer water 0.5Mpa(L/MIN)	11.1
Shower water singer cold water 0.1Mpa(L/MIN)	4.4
Shower water singer cold water 0.3Mpa(L/MIN)	7.6
Shower water singer cold water 0.5Mpa(L/MIN)	9.8



Product sizes (cm)	19.5*13*15
Weight (kg)	1.7
Guarantee	5 years
Max Preassure (bar)	5
Min Preassure (bar)	0.5
Optimum preassure (bar)	1-4 (Recommended 3)
Max. temperature	85°C
Min temperature	65°C

CERTIFIES

That all our products, provided that they are used in normal conditions or installed in accordance with current standards, are guaranteed against any manufacturing defect for a period of five years, except for products purchased before January 1, 2020, which will have the mandatory coverage of 2 years from the date of invoice.

Requirements and exclusions

Failure to comply with the instructions for assembly, use and maintenance of our products on the packaging and in our catalogue and published on our website: www.imexproducts.es, releases IMEX PRODUCTS, S.L. from any liability.

In any case, the acceptance of the defect by our technical department is necessary. In addition, transport costs will be charged only in the event that on IMEX PRODUCTS, S.L. technician determines the proper functioning of our products.

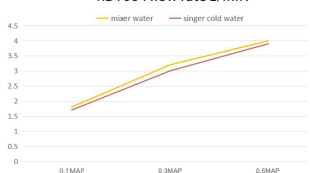
IMEX PRODUCTS, S.L. will decide to repair the product or replace it. It will be necessary to present the purchase invoice.

Assembly, maintenance or repairs carried out by non-specialists are excluded from the warranty.

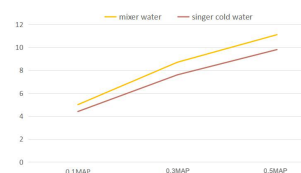
Wearing parts such as hoses, handles, seals, filters, aerators, etc. are not covered by the warranty.



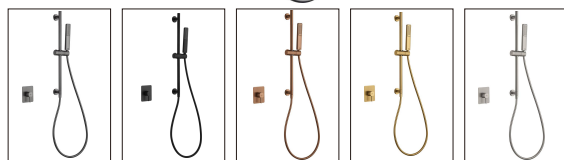
Jet water
RDT064 flow rate L/MIN



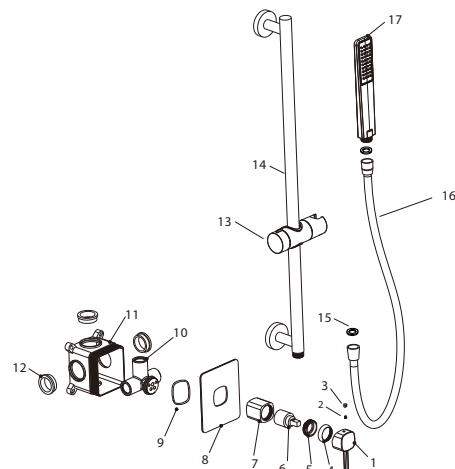
Shower water
RDT064 flow rate L/MIN



PRODUCT INFORMATION SUMMARY



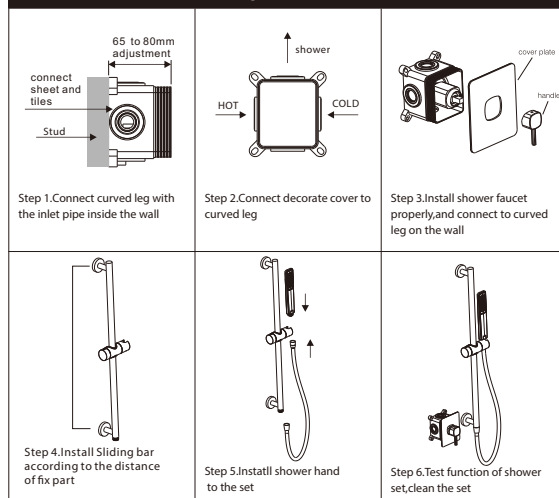
Ref.	EAN	Finish
SMT064	8435668066365	Chrome
SMT064/BGM	8435668066389	Black gun metal
SMT064/NG	8435668066372	Matte black
SMT064/ORC	8435668066402	Brushed rose gold
SMT064/OC	8435668066396	Brushed gold
SMT064/NQ	8435668066419	Brushed nickel



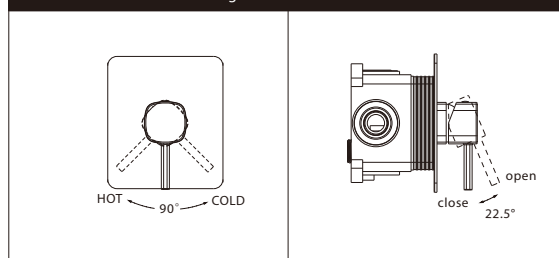
CODE	NAME	MATERIAL	REF
1	Handle	Zinc	
2	Screw	SUS304 / 4#4mm	
3	Button	ABS	
4	Cover	Brass	
5	Nut	Brass	
6	Cartridge	28mm	
7	Cartridge cover	Brass	
8	Decorative plate	SUS 304	
9	O-ring	NBR	
10	Body	Brass	
11	BOX	ABS	
12	Rubber ring	NBR	
13	Slider	ABS	
14	Sliding bar	SUS 304	
15	Rubber washer	NBR	
16	Hose	PVC	FLX002*
17	Shower hand	ABS	MDH013*

* CONSULTAR PARA ACABADOS DE COLOR

Installing instruction

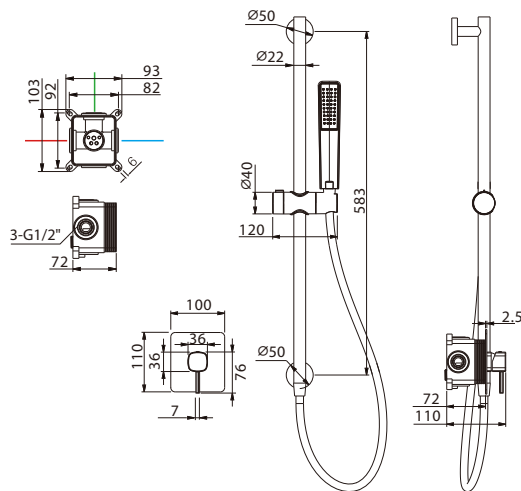
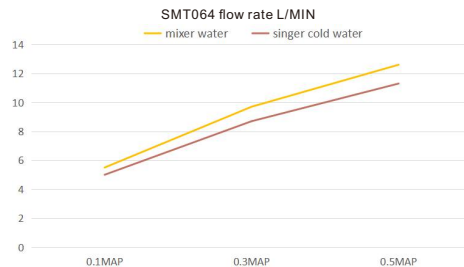


Usage function instruction



FLOW RATE

Detalles	
FLOW RATE REF	SMT064
mixer water 0.1Mpa(L/MIN)	5.5
mixer water 0.3Mpa(L/MIN)	9.7
mixer water 0.5Mpa(L/MIN)	12.6
singer cold water 0.1Mpa(L/MIN)	5
singer cold water 0.3Mpa(L/MIN)	8.7
singer cold water 0.5Mpa(L/MIN)	11.3



Product sizes (cm)	67.5*21*13.5
Weight (kg)	2.55
Guarantee	5 years
Max Preasure (bar)	5
Min Preasure (bar)	0.5
Optimum preasure (bar)	1-4 (Recommended 3)
Max. temperature	85°C
Min temperature	65°C

CERTIFIES

That all our products, provided that they are used in normal conditions or installed in accordance with current standards, are guaranteed against any manufacturing defect for a period of five years, except for products purchased before January 1, 2020, which will have the mandatory coverage of 2 years from the date of invoice.

Requirements and exclusions

Failure to comply with the instructions for assembly, use and maintenance of our products on the packaging and in our catalogue and published on our website: www.imexproducts.es, releases IMEX PRODUCTS, S.L. from any liability.

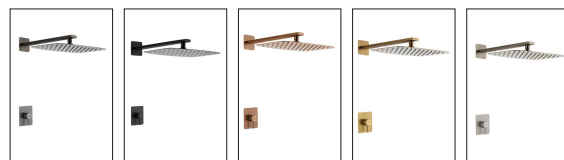
In any case, the acceptance of the defect by our technical department is necessary. In addition, transport costs will be charged only in the event that on IMEX PRODUCTS, S.L. technician determines the proper functioning of our products.

IMEX PRODUCTS, S.L. will decide to repair the product or replace it. It will be necessary to present the purchase invoice.

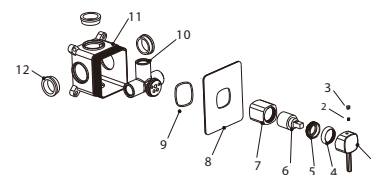
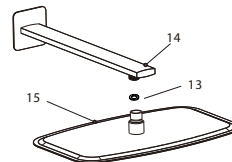
Assembly, maintenance or repairs carried out by non-specialists are excluded from the warranty.

Wearing parts such as hoses, handles, seals, filters, aerators, etc. are not covered by the warranty.





Ref.	EAN	Finish
SRT064	8435668066365	Chrome
SRT064/BGM	8435668066389	Black gun metal
SRT064/NG	8435668066372	Matte black
SRT064/ORC	8435668066402	Brushed rose gold
SRT064/OC	8435668066396	Brushed gold
SRT064/NQ	8435668066419	Brushed nickel



CODE	NAME	MATERIAL	REF
1	Handle	Zinc	
2	Screw	SUS304 / 4*4mm	
3	Button	ABS	
4	Cover	Brass	
5	Nut	Brass	
6	Cartridge	28mm	
7	Cartridge cover	Brass	
8	Decorative plate	SUS 304	
9	O-ring	NBR	
10	Body	Brass	
11	BOX	ABS	
12	Rubber ring	NBR	
13	Rubber washer	NBR	
14	Shower head	SUS 304	RDR002*
15	Hose	SUS 304	BPC005*

* CONSULTAR PARA ACABADOS DE COLOR

Installing instruction

Step 1. Connect curved leg with the inlet pipe inside the wall

Step 2. Connect decorative cover to curved leg

Step 3. Install shower faucet properly, and connect to curved leg on the wall

Step 4. Install shower pipe according to the distance of fix part

Step 5. Install the shower head to the set

Step 6. Test function of shower set, clean the set

Usage function instruction

HOT 90° COLD

close 22.5° open

PRODUCT INFORMATION SUMMARY

TOSCANA

Series

IMEX
BATH EQUIPMENTS

TOSCANA

Series

IMEX
BATH EQUIPMENTS

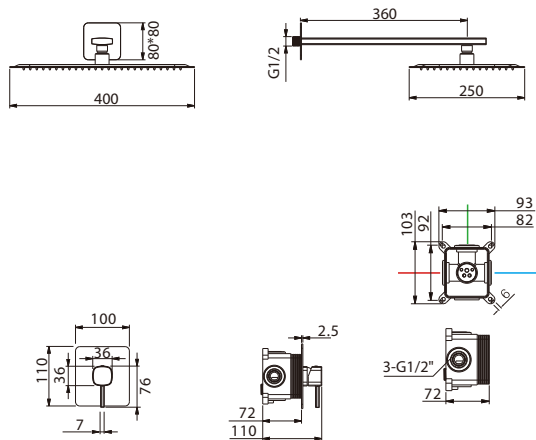
TOSCANA

Series

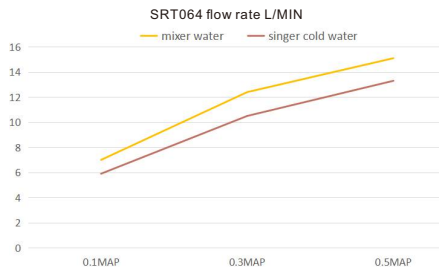
IMEX
BATH EQUIPMENTS

FLOW RATE

Detalles	
FLOW RATE REF	SRT064
mixer water 0.1Mpa(L/MIN)	7
mixer water 0.3Mpa(L/MIN)	12.4
mixer water 0.5Mpa(L/MIN)	15.1
singer cold water 0.1Mpa(L/MIN)	5.9
singer cold water 0.3Mpa(L/MIN)	10.5
singer cold water 0.5Mpa(L/MIN)	13.3



Product sizes (cm)	43*30*14
Weight (kg)	4.8
Guarantee	5 years
Max Preasure (bar)	5
Min Preasure (bar)	0.5
Optimum preasure (bar)	1-4 (Recommended 3)
Max. temperature	85°C
Min temperature	65°C



CERTIFIES

That all our products, provided that they are used in normal conditions or installed in accordance with current standards, are guaranteed against any manufacturing defect for a period of five years, except for products purchased before January 1, 2020, which will have the mandatory coverage of 2 years from the date of invoice.

Requirements and exclusions

Failure to comply with the instructions for assembly, use and maintenance of our products on the packaging and in our catalogue and published on our website: www.imexproducts.es, releases IMEX PRODUCTS, S.L. from any liability.

In any case, the acceptance of the defect by our technical department is necessary. In addition, transport costs will be charged only in the event that on IMEX PRODUCTS, S.L. technician determines the proper functioning of our products.

IMEX PRODUCTS, S.L. will decide to repair the product or replace it. It will be necessary to present the purchase invoice.

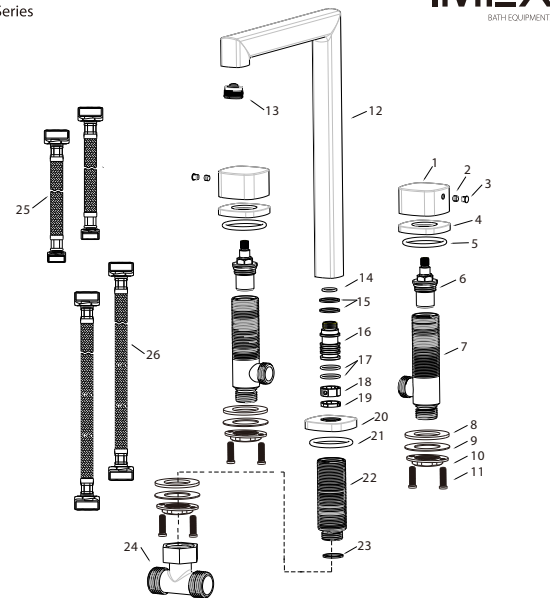
Assembly, maintenance or repairs carried out by non-specialists are excluded from the warranty.

Wearing parts such as hoses, handles, seals, filters, aerators, etc. are not covered by the warranty.



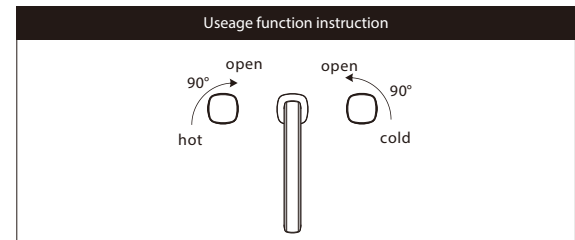
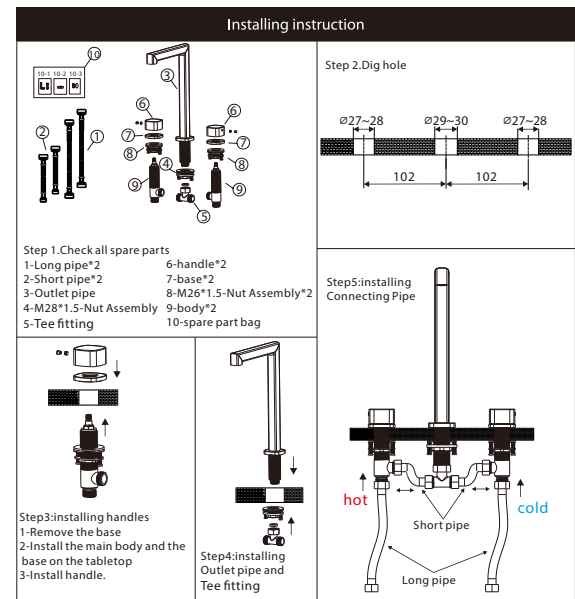


Ref.	EAN	Finish
BAT064	8435668068611	Chrome
BAT064/BGM	8435668068635	Black gun metal
BAT064/NG	8435668068628	Matte black
BAT064/ORC	8435668068659	Brushed rose gold
BAT064/OC	8435668068642	Brushed gold
BAT064/NQ	8435668068666	Brushed nickel



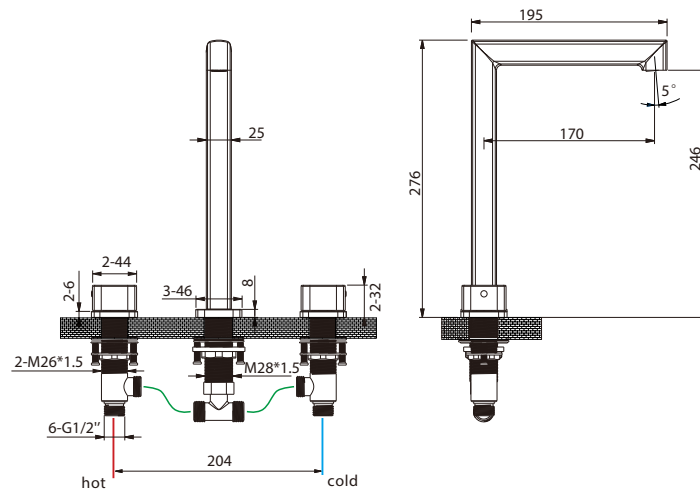
CODE	NAME	MATERIAL	REF	CODE	NAME	MATERIAL	REF
1	Handle	Zinc		16	Connect	Brass	
2	Screw	SUS304		17	O-ring	NBR	
3	Button	ABS		18	Washer	Pom	
4	Base	Brass		19	Washer	Pom	
5	O-ring	NBR		20	Base	Brass	
6	Cartridge	21mm		21	O-ring	NBR	
7	Body	Brass		22	Connect	Brass	
8	Washer	NBR		23	Rubber washer	NBR	
9	Metal washer	SUS 304		24	Tee fitting	Brass	
10	Nut	Brass					
11	Screw	SUS 304		25	Connecting Pipe	TAQ/PEX DN6-ACB GI/2-GI/2 L13-150	
12	Outlet pipe	Brass		26	Connecting Pipe	TAQ/PEX DN6-ACB H3/8-GI/2 L13-500/HBB	
13	Aerator	ABS/M18.5x1mm					
14	O-ring	NBR					
15	Washer	Pom					

* CONSULTAR PARA ACABADOS DE COLOR

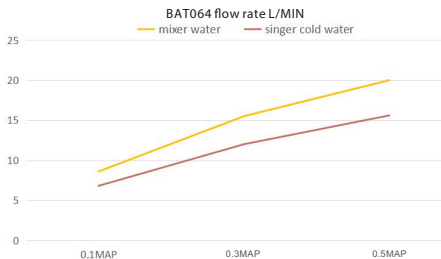


FLOW RATE

Detalles	
FLOW RATE REF	BAT064
mixer water 0.1Mpa(L/MIN)	8.6
mixer water 0.3Mpa(L/MIN)	15.5
mixer water 0.5Mpa(L/MIN)	20
singer cold water 0.1Mpa(L/MIN)	6.8
singer cold water 0.3Mpa(L/MIN)	12
singer cold water 0.5Mpa(L/MIN)	15.6



Product sizes (cm)	420*255*75
Weight (kg)	2.35
Guarantee	5 years
Max Preassure (bar)	5
Min Preassure (bar)	0.5
Optimum preassure (bar)	1-4 (Recommended 3)
Max. temperature	85°C
Min temperature	65°C



CERTIFIES

That all our products, provided that they are used in normal conditions or installed in accordance with current standards, are guaranteed against any manufacturing defect for a period of five years, except for products purchased before January 1, 2020, which will have the mandatory coverage of 2 years from the date of invoice.

Requirements and exclusions

Failure to comply with the instructions for assembly, use and maintenance of our products on the packaging and in our catalogue and published on our website: www.imexproducts.es, releases IMEX PRODUCTS, S.L. from any liability.

In any case, the acceptance of the defect by our technical department is necessary. In addition, transport costs will be charged only in the event that an IMEX PRODUCTS, S.L. technician determines the proper functioning of our products.

IMEX PRODUCTS, S.L. will decide to repair the product or replace it. It will be necessary to present the purchase invoice.

Assembly, maintenance or repairs carried out by non-specialists are excluded from the warranty.

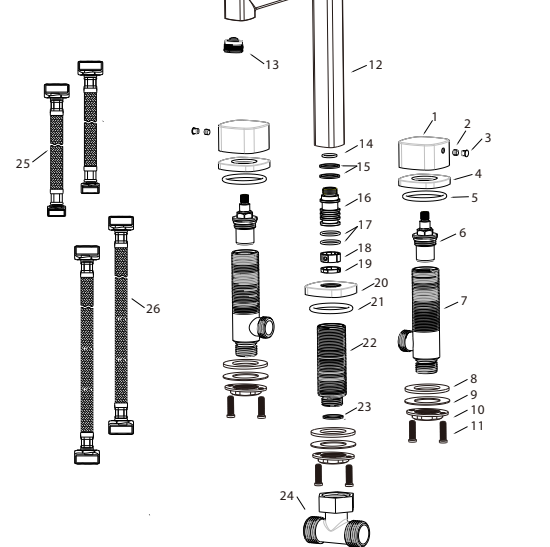
Wearing parts such as hoses, handles, seals, filters, aerators, etc. are not covered by the warranty.



PRODUCT INFORMATION SUMMARY



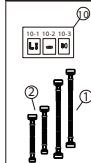
Ref.	EAN	Finish
BBT064	8435668066068	Chrome
BBT064/BGM	8435668066082	Black gun metal
BBT064/NG	8435668066075	Matte black
BBT064ORC	8435668066105	Brushed rose gold
BBT064/OC	8435668066099	Brushed gold
BBT064/NQ	8435668066112	Brushed nickel



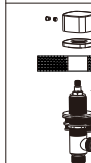
CODE	NAME	MATERIAL	REF	CODE	NAME	MATERIAL	REF
1	Handle	Zinc		16	Connect	Brass	
2	Screw	SUS304		17	O-ring	NBR	
3	Button	ABS		18	Washer	Pom	
4	Base	Brass		19	Washer	Pom	
5	O-ring	NBR		20	Base	Brass	
6	Cartridge	21mm		21	O-ring	NBR	
7	Body	Brass		22	Connect	Brass	
8	Washer	NBR		23	Rubber washer	NBR	
9	Metal washer	SUS 304		24	Tee fitting	Brass	
10	Nut	Brass					
11	Screw	SUS 304		25	Connecting Pipe	TAQ/PEX DN6-ACB GV2-G1/2 L13-150	
12	Outlet pipe	Brass		26	Connecting Pipe	TAQ/PEX DN6-ACB H3/8-G1/2 L13-500/HBB	
13	Aerator	ABS/M16.5x1mm					
14	O-ring	NBR					
15	Washer	Pom					

* CONSULTAR PARA ACABADOS DE COLOR

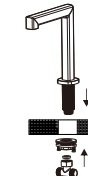
Installing instruction



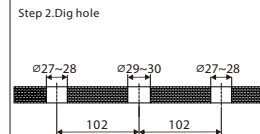
- Step 1. Check all spare parts
- 1-Long pipe*2
 - 2-Short pipe*2
 - 3-Outlet pipe
 - 4-M28*1.5-Nut Assembly
 - 5-Tee fitting
 - 6-handle*2
 - 7-base*2
 - 8-M26*1.5-Nut Assembly*2
 - 9-body*2
 - 10-spare part bag



- Step3:installing handles
- 1-Remove the base
 - 2-Install the main body and the base on the tabletop
 - 3-Install handle.

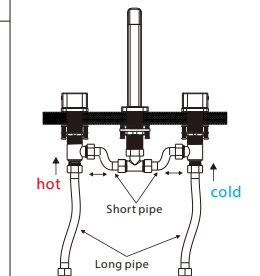


- Step4:installing Outlet pipe and Tee fitting

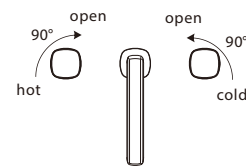


- Step 2.Dig hole

- Step5:installing Connecting Pipe

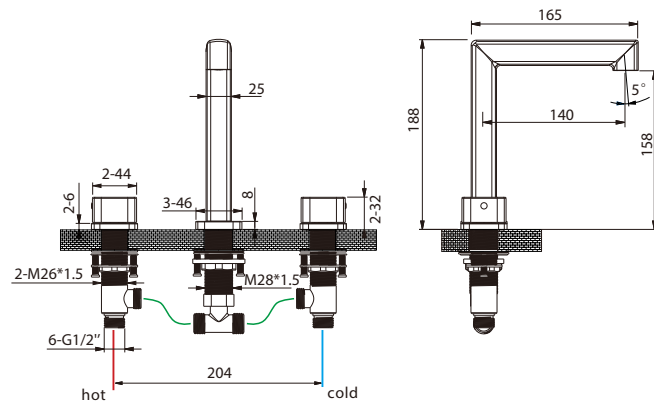
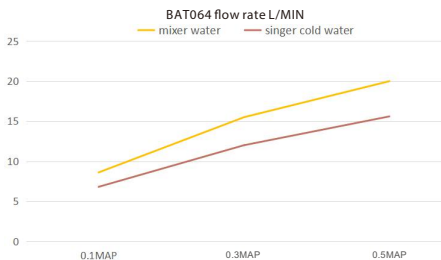


Usage function instruction



FLOW RATE

Detalles	
FLOW RATE REF	BBT064
mixer water 0.1Mpa(L/MIN)	8.6
mixer water 0.3Mpa(L/MIN)	15.5
mixer water 0.5Mpa(L/MIN)	20
singer cold water 0.1Mpa(L/MIN)	6.8
singer cold water 0.3Mpa(L/MIN)	12
singer cold water 0.5Mpa(L/MIN)	15.6



Product sizes (cm)	420*255*75
Weight (kg)	1.1
Guarantee	5 years
Max Preasure (bar)	5
Min Preasure (bar)	0.5
Optimum preasure (bar)	1-4 (Recommended 3)
Max. temperature	85°C
Min temperature	65°C

CERTIFIES

That all our products, provided that they are used in normal conditions or installed in accordance with current standards, are guaranteed against any manufacturing defect for a period of five years, except for products purchased before January 1, 2020, which will have the mandatory coverage of 2 years from the date of invoice.

Requirements and exclusions

Failure to comply with the instructions for assembly, use and maintenance of our products on the packaging and in our catalogue and published on our website: www.imexproducts.es, releases IMEX PRODUCTS, S.L. from any liability.

In any case, the acceptance of the defect by our technical department is necessary. In addition, transport costs will be charged only in the event that on IMEX PRODUCTS, S.L. technician determines the proper functioning of our products.

IMEX PRODUCTS, S.L. will decide to repair the product or replace it. It will be necessary to present the purchase invoice.

Assembly, maintenance or repairs carried out by non-specialists are excluded from the warranty.

Wearing parts such as hoses, handles, seals, filters, aerators, etc. are not covered by the warranty.

