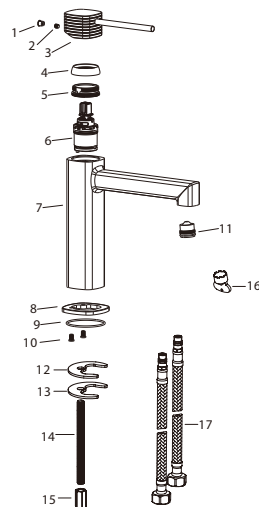


**PRODUCT
INFORMATION
SUMMARY**



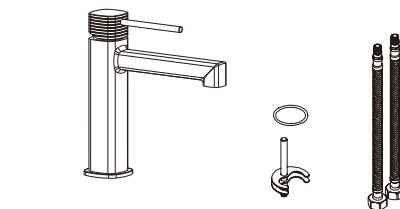
| Ref. | EAN | Finish |
|-------------|---------------|-------------------|
| BDF065-1 | 8435668066549 | Chrome |
| BDF065-1BGM | 8435668066563 | Black gun metal |
| BDF065-1NG | 8435668066556 | Matte black |
| BDF065-1ORC | 8435668066587 | Brushed rose gold |
| BDF065-1OC | 8435668066570 | Brushed gold |
| BDF065-1NQ | 8435668066594 | Brushed nickel |



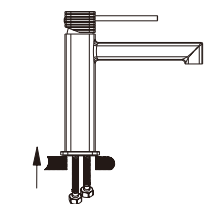
| CODE | NAME | MATERIAL | REF |
|------|-----------------|--|-------------|
| 1 | Button | ABS | |
| 2 | Screw | SUS304/4x4mm | |
| 3 | Handle | Brass | |
| 4 | Decorative cup | Brass | |
| 5 | Nut | Brass | |
| 6 | Cartridge | 26mmup | CRT007* |
| 7 | Main body | Brass | |
| 8 | Base | Zinc | |
| 9 | O-ring | NBR | |
| 10 | Screw | SUS304/4x6mm | |
| 11 | Aerator | ABS/M16.5x1mm | SAT-AIR060* |
| 12 | Rubber washer | NBR | |
| 13 | Metal washer | SUS304 | |
| 14 | M8-Screw | SUS304 | |
| 15 | M8-Nut | Brass | |
| 16 | Aerator spanner | Plastic | SAT-KEY* |
| 17 | Connecting Pipe | TAQ-PEX-DN6-ACB H3/8-M10X1 L12-500-R&B | SAT-HOSES7* |

* CONSULTAR PARA ACABADOS DE COLOR

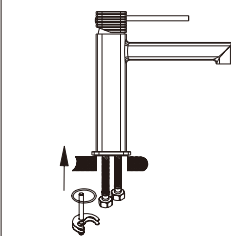
Installing instruction



Step 1. Check all spare parts ready

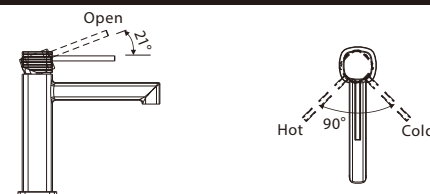


Step 2. Install inlet pipe to faucet body



Step 3. Install screw stick to faucet body

Usage function instruction

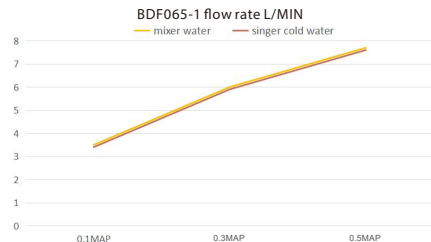


FIRENZE

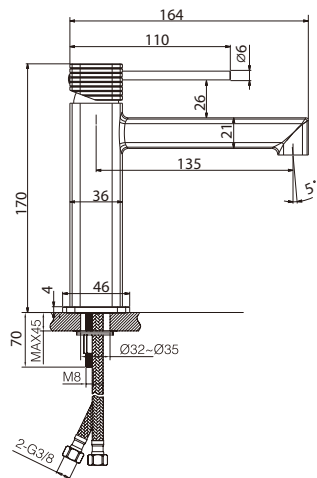
Series

IMEX
BATH EQUIPMENTS**FLOW RATE**

| Detalles | |
|------------------------------------|----------|
| FLOW RATE REF | BDT064-1 |
| mixer water 0.1Mpa(L/MIN) | 3.5 |
| mixer water 0.3Mpa(L/MIN) | 6 |
| mixer water 0.5Mpa(L/MIN) | 7.7 |
| singer cold water 0.1Mpa(L/MIN) | 3.4 |
| singer cold water 0.3Mpa(L/MIN) | 5.9 |
| singer cold water 0.5Mpa(L/MIN) | 7.6 |

**FIRENZE**

Series

IMEX
BATH EQUIPMENTS

| | |
|------------------------|---------------------|
| Product sizes (cm) | 30*21*5.9 |
| Weight (kg) | 0.95 |
| Guarantee | 5 years |
| Max Preasure (bar) | 5 |
| Min Preasure (bar) | 0.5 |
| Optimum preasure (bar) | 1-4 (Recommended 3) |
| Max. temperature | 85°C |
| Min temperature | 65°C |

FIRENZE

Series

IMEX
BATH EQUIPMENTS**CERTIFIES**

That all our products, provided that they are used in normal conditions or installed in accordance with current standards, are guaranteed against any manufacturing defect for a period of five years, except for products purchased before January 1, 2020, which will have the mandatory coverage of 2 years from the date of invoice.

Requirements and exclusions

Failure to comply with the instructions for assembly, use and maintenance of our products on the packaging and in our catalogue and published on our website: www.imexproducts.es, releases IMEX PRODUCTS, S.L. from any liability.

In any case, the acceptance of the defect by our technical department is necessary. In addition, transport costs will be charged only in the event that on IMEX PRODUCTS, S.L. technician determines the proper functioning of our products.

IMEX PRODUCTS, S.L. will decide to repair the product or replace it. It will be necessary to present the purchase invoice.

Assembly, maintenance or repairs carried out by non-specialists are excluded from the warranty.

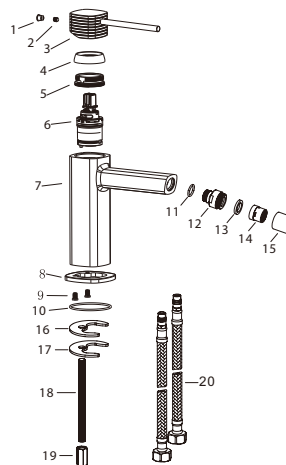
Wearing parts such as hoses, handles, seals, filters, aerators, etc. are not covered by the warranty.



PRODUCT INFORMATION SUMMARY



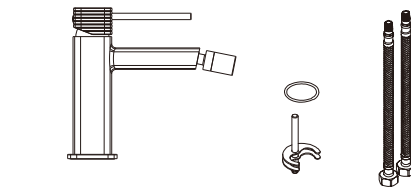
| Ref. | EAN | Finish |
|-------------|---------------|-------------------|
| BDF065-2 | 8435668066600 | Chrome |
| BDF065-2BGM | 8435668066624 | Black gun metal |
| BDF065-2NG | 8435668066617 | Matte black |
| BDF065-2ORC | 8435668066648 | Brushed rose gold |
| BDF065-2OC | 8435668066631 | Brushed gold |
| BDF065-2NQ | 8435668066655 | Brushed nickel |



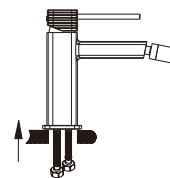
| CODE | NAME | MATERIAL | REF |
|------|-------------------|--|-------------|
| 1 | Cover | ABS | |
| 2 | Screw | SUS304/4x4mm | |
| 3 | handle | Brass | |
| 4 | Decorative cup | Brass | |
| 5 | Nut | Brass | |
| 6 | Cartridge | 26mm up | CRT007* |
| 7 | Boby | Brass | |
| 8 | Base | Zinc | |
| 9 | Screw | SUS304/4x6mm | |
| 10 | O-ring | NBR | |
| 11 | Spout gasket | NBR | |
| 12 | Spout | Brass | |
| 13 | Gasket | NBR | |
| 14 | Aerator | 16 mm | SAT-AIR032* |
| 15 | Reticulated shell | Brass | |
| 16 | Rubber washer | NBR | |
| 17 | Metal washer | SUS304 | |
| 18 | M8-Screw | SUS304 | |
| 19 | M8-Nut | Brass | |
| 20 | Connecting Pipe | TAQ-PEX-DN6-ACB H3/8-M10X1 L12-500-R8B | SAT-HOSES7* |

* CONSULTAR PARA ACABADOS DE COLOR

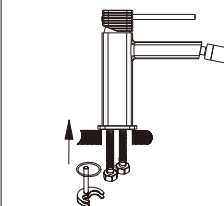
Installing instruction



Step 1. Check all spare parts ready

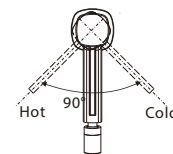
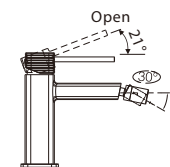


Step 2. Install inlet pipe to faucet body



Step 3. Install screw stick to faucet body

Usage function instruction



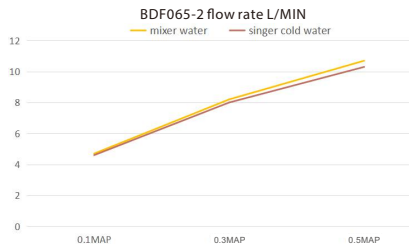
FIRENZE

Series

IMEX
BATH EQUIPMENTS

FLOW RATE

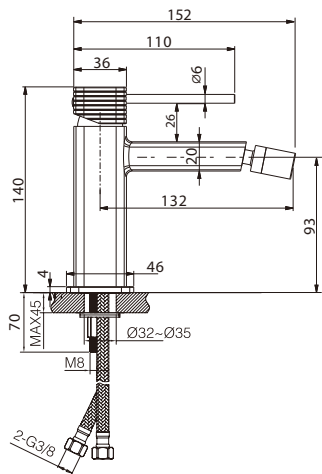
| Detalles | |
|------------------------------------|----------|
| FLOW RATE REF | BDF065-2 |
| mixer water 0.1Mpa(L/MIN) | 4.7 |
| mixer water 0.3Mpa(L/MIN) | 8.2 |
| mixer water 0.5Mpa(L/MIN) | 10.7 |
| singer cold water 0.1Mpa(L/MIN) | 4.6 |
| singer cold water 0.3Mpa(L/MIN) | 8 |
| singer cold water 0.5Mpa(L/MIN) | 10.3 |



FIRENZE

Series

IMEX
BATH EQUIPMENTS



| | |
|-------------------------|---------------------|
| Product sizes (cm) | 26.7*18.1*5.9 |
| Weight (kg) | 0.89 |
| Guarantee | 5 years |
| Max Preassure (bar) | 5 |
| Min Preassure (bar) | 0.5 |
| Optimum preassure (bar) | 1-4 (Recommended 3) |
| Max. temperature | 85°C |
| Min temperature | 65°C |

FIRENZE

Series

IMEX
BATH EQUIPMENTS

CERTIFIES

That all our products, provided that they are used in normal conditions or installed in accordance with current standards, are guaranteed against any manufacturing defect for a period of five years, except for products purchased before January 1, 2020, which will have the mandatory coverage of 2 years from the date of invoice.

Requirements and exclusions

Failure to comply with the instructions for assembly, use and maintenance of our products on the packaging and in our catalogue and published on our website: www.imexproducts.es, releases IMEX PRODUCTS, S.L. from any liability.

In any case, the acceptance of the defect by our technical department is necessary. In addition, transport costs will be charged only in the event that on IMEX PRODUCTS, S.L. technician determines the proper functioning of our products.

IMEX PRODUCTS, S.L. will decide to repair the product or replace it. It will be necessary to present the purchase invoice.

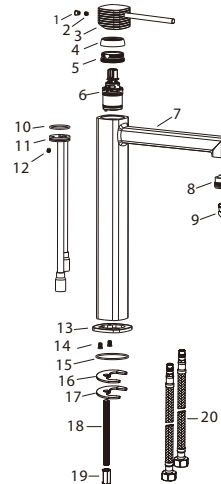
Assembly, maintenance or repairs carried out by non-specialists are excluded from the warranty.

Wearing parts such as hoses, handles, seals, filters, aerators, etc. are not covered by the warranty.





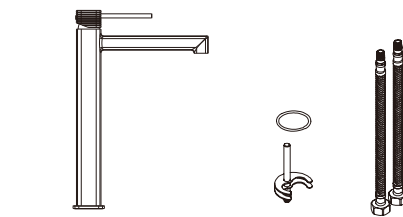
| Ref. | EAN | Finish |
|-------------|---------------|-------------------|
| BDF065-3 | 843566806662 | Chrome |
| BDF065-3BGM | 8435668066686 | Black gun metal |
| BDF065-3NG | 8435668066679 | Matte black |
| BDF065-3ORC | 8435668066709 | Brushed rose gold |
| BDF065-3OC | 8435668066693 | Brushed gold |
| BDF065-3NQ | 8435668066716 | Brushed nickel |



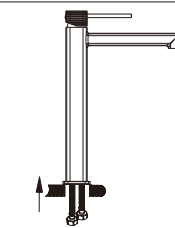
| CODE | NAME | MATERIAL | REF |
|------|-----------------|--|-------------|
| 1 | Button | ABS | |
| 2 | Screw | SUS304/4x4mm | |
| 3 | Handle | Brass | |
| 4 | Decorative cup | Brass | |
| 5 | Nut | Brass | |
| 6 | Cartridge | 26mmup | CRT007* |
| 7 | Main body | Brass | |
| 8 | Aerator | 16 mm | SAT-AIR032* |
| 9 | Aerator spanner | Plastic | SAT-KEY* |
| 10 | O-ring | NBR | |
| 11 | Cartridge base | Brass | |
| 12 | Screw | SUS304 | |
| 13 | Base | Zinc | |
| 14 | Screw | SUS304/4x6mm | |
| 15 | O-ring | NBR | |
| 16 | Rubber washer | NBR | |
| 17 | Metal washer | SUS304 | |
| 18 | M8-Screw | SUS304 | |
| 19 | M8-Nut | Brass | |
| 20 | Connecting Pipe | TAQ-PEX-DN6-ACB H3/8-M10X1 L12-500-R&B | SAT-HOSES7* |

* CONSULTAR PARA ACABADOS DE COLOR

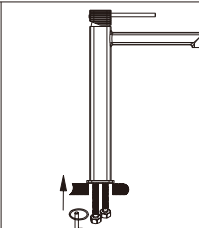
Installing instruction



Step 1. Check all spare parts ready

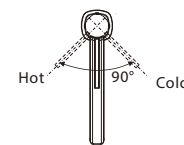
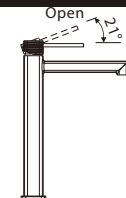


Step 2. Install inlet pipe to faucet body



Step 3. Install screw stick to faucet body

Usage function instruction



PRODUCT INFORMATION SUMMARY

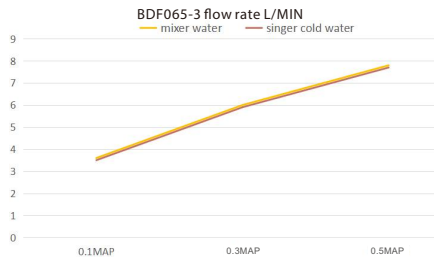
FIRENZE

Series

IMEX
BATH EQUIPMENTS

FLOW RATE

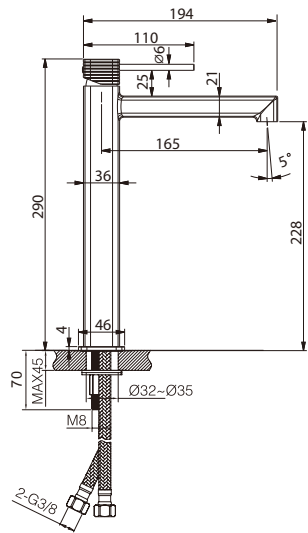
| Detalles | |
|------------------------------------|----------|
| FLOW RATE REF | BDF065-3 |
| mixer water 0.1Mpa(L/MIN) | 3.6 |
| mixer water 0.3Mpa(L/MIN) | 6 |
| mixer water 0.5Mpa(L/MIN) | 7.8 |
| singer cold water 0.1Mpa(L/MIN) | 3.5 |
| singer cold water 0.3Mpa(L/MIN) | 5.9 |
| singer cold water 0.5Mpa(L/MIN) | 7.7 |



FIRENZE

Series

IMEX
BATH EQUIPMENTS



| | |
|------------------------|---------------------|
| Product sizes (cm) | 39*21*5.9 |
| Weight (kg) | 1.35 |
| Guarantee | 5 years |
| Max Preasure (bar) | 5 |
| Min Preasure (bar) | 0.5 |
| Optimum preasure (bar) | 1-4 (Recommended 3) |
| Max. temperature | 85°C |
| Min temperature | 65°C |

FIRENZE

Series

IMEX
BATH EQUIPMENTS

CERTIFIES

That all our products, provided that they are used in normal conditions or installed in accordance with current standards, are guaranteed against any manufacturing defect for a period of five years, except for products purchased before January 1, 2020, which will have the mand atory coverage of 2 years from the date of invoice.

Requirements and exclusions

Failure to comply with the instructions for assembly, use and maintenance of our products on the packaging and in our catalogue and published on our website: www.imexproducts.es, releases IMEX PRODUCTS, S.L. from any liability.

In any case, the acceptance of the defect by our technical department is necessary. In addition, transport costs will be charged only in the event that on IMEX PRODUCTS, S.L. technician determines the proper functioning of our products.

IMEX PRODUCTS, S.L. will decide to repair the product or replace it. It will be necessary to present the purchase invoice.

Assembly, maintenance or repairs carried out by non-specoalists re excluded from the warranty.

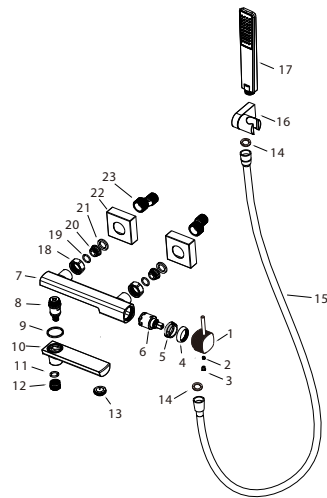
Wearing parts such as hoses, handles, seals, filters, aerators, etc. are not covered by the warranty.



**PRODUCT
INFORMATION
SUMMARY**

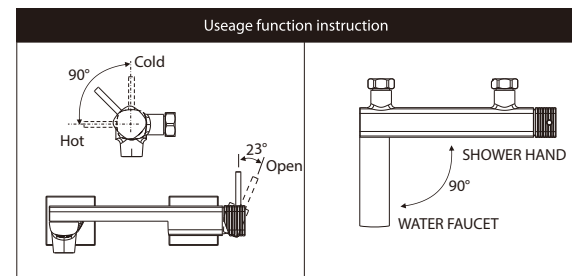
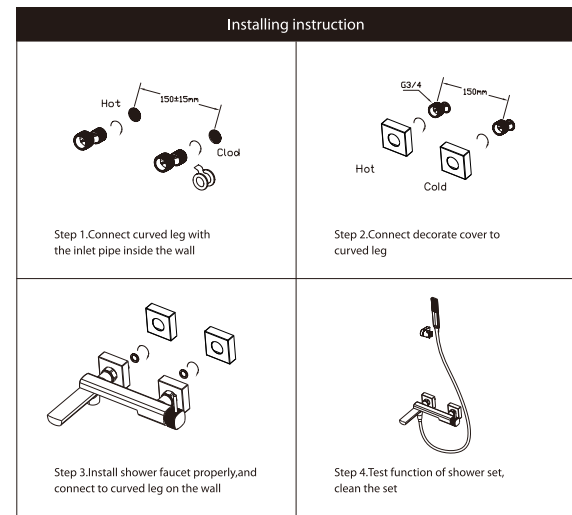


| Ref. | EAN | Finish |
|-------------|---------------|-------------------|
| BDF065-4 | 8435668066846 | Chrome |
| BDF065-4BGM | 8435668066860 | Black gun metal |
| BDF065-4NG | 8435668066853 | Matte black |
| BDF065-4ORC | 8435668066884 | Brushed rose gold |
| BDF065-4OC | 8435668066877 | Brushed gold |
| BDF065-4NQ | 8435668066891 | Brushed nickel |



| CODE | NAME | MATERIAL | REF | CODE | NAME | MATERIAL | REF |
|------|----------------|--------------|-----|------|---------------|----------|---------|
| 1 | Handle | Brass | 13 | 13 | Aerator | M24x1mm | |
| 2 | Screw | SUS304/4x4mm | | 14 | Rubber washer | NBR | |
| 3 | Button | ABS | | 15 | Hose | PVC | FLX010* |
| 4 | Decorative cup | Brass | | 16 | Shower base | ABS | SMD007* |
| 5 | Nut | Brass | | 17 | Shower hand | ABS | MDH013* |
| 6 | Cartridge | 28mm | | 18 | Nut | Brass | |
| 7 | Body | Brass | | 19 | O-ring | NBR | |
| 8 | Cartridge | Brass / 24mm | | 20 | Valve | SUS 304 | |
| 9 | Washer | POM | | 21 | Rubber washer | NBR | |
| 10 | Outlet pipe | Brass | | 22 | Cover | SUS 304 | |
| 11 | O-ring | NBR | | 23 | Cabrio leg | SUS 304 | |
| 12 | Connect | Brass | | | | | |

* CONSULTAR PARA ACABADOS DE COLOR



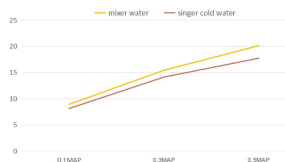
FIRENZE

Series

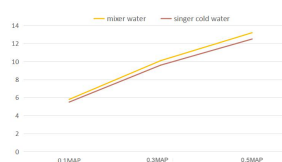
IMEX
BATH EQUIPMENTS**FLOW RATE**

| Detailles | |
|--|----------|
| FLOW RATE REF | BDF065-4 |
| water outlet mixer water 0.1Mpa(L/MIN) | 8.9 |
| water outlet mixer water 0.3Mpa(L/MIN) | 15.4 |
| water outlet mixer water 0.5Mpa(L/MIN) | 20.1 |
| water outlet singer cold water 0.1Mpa(L/MIN) | 8.1 |
| water outlet singer cold water 0.3Mpa(L/MIN) | 14.1 |
| water outlet singer cold water 0.5Mpa(L/MIN) | 17.7 |
| hand shower mixer water 0.1Mpa(L/MIN) | 5.8 |
| hand shower mixer water 0.3Mpa(L/MIN) | 10.1 |
| hand shower mixer water 0.5Mpa(L/MIN) | 13.2 |
| hand shower singer cold water 0.1Mpa(L/MIN) | 5.5 |
| hand shower singer cold water 0.3Mpa(L/MIN) | 9.6 |
| hand shower singer cold water 0.5Mpa(L/MIN) | 12.5 |

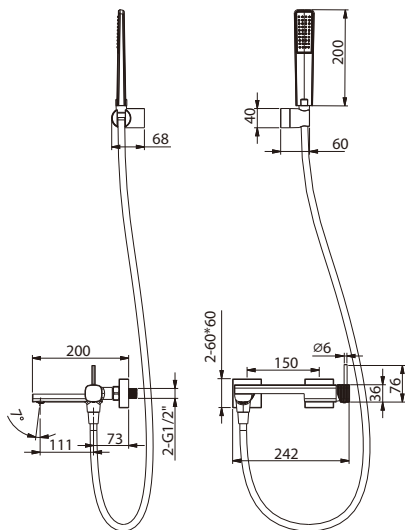
water outlet
BDF065-4 flow rate L/MIN



hand shower
BDF065-4 flow rate L/MIN

**FIRENZE**

Series

IMEX
BATH EQUIPMENTS

| | |
|-------------------------|---------------------|
| Product sizes (cm) | 28*16*12.2 |
| Weight (kg) | 2. |
| Guarantee | 5 years |
| Max Preassure (bar) | 5 |
| Min Preassure (bar) | 0.5 |
| Optimum preassure (bar) | 1-4 (Recommended 3) |
| Max. temperature | 85°C |
| Min temperature | 65°C |

FIRENZE

Series

IMEX
BATH EQUIPMENTS**CERTIFIES**

That all our products, provided that they are used in normal conditions or installed in accordance with current standards, are guaranteed against any manufacturing defect for a period of five years, except for products purchased before January 1, 2020, which will have the mand atory coverage of 2 years from the date of invoice.

Requirements and exclusions

Failure to comply with the instructions for assembly, use and maintenance of our products on the packaging and in our catalogue and published on our website: www.imexproducts.es, releases IMEX PRODUCTS, S.L. from any liability.

In any case, the acceptance of the defect by our technical department is necessary. In addition, transport costs will be charged only in the event that on IMEX PRODUCTS, S.L. technician determines the proper functioning of our products.

IMEX PRODUCTS, S.L. will decide to repair the product or replace it. It will be necessary to present the purchase invoice.

Assembly, maintenance or repairs carried out by non-specoalists re excluded from the warranty.

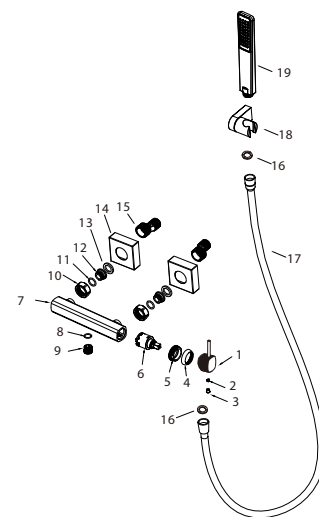
Wearing parts such as hoses, handles, seals, filters, aerators, etc. are not covered by the warranty.



**PRODUCT
INFORMATION
SUMMARY**

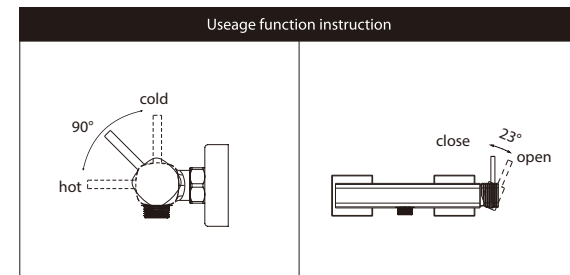
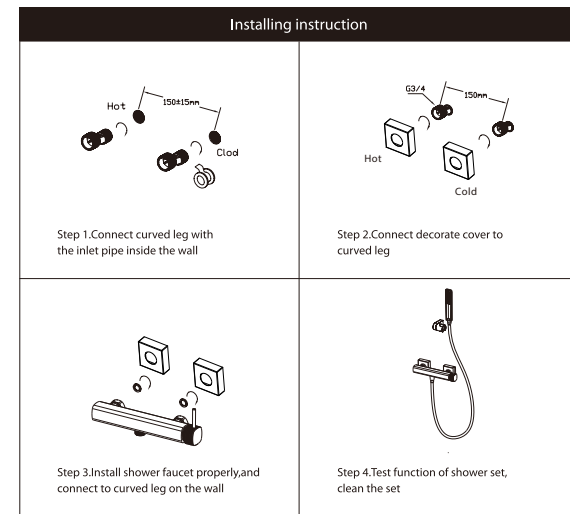


| Ref. | EAN | Finish |
|-------------|---------------|-------------------|
| BDF065-5 | 8435668066969 | Chrome |
| BDF065-5BGM | 8435668066983 | Black gun metal |
| BDF065-5NG | 8435668066976 | Matte black |
| BDF065-5ORC | 8435668067003 | Brushed rose gold |
| BDF065-5OC | 8435668066990 | Brushed gold |
| BDF065-5NQ | 8435668067010 | Brushed nickel |



| CODE | NAME | MATERIAL | REF |
|------|----------------|--------------|---------|
| 1 | Handle | Brass | |
| 2 | Screw | SUS304/4x4mm | |
| 3 | Button | ABS | |
| 4 | Decorative cup | Brass | |
| 5 | Nut | Brass | |
| 6 | Cartridge | 28mm | |
| 7 | Body | Brass | |
| 8 | O-ring | NBR | |
| 9 | Connect | Brass | |
| 10 | Nut | Brass | |
| 11 | O-ring | NBR | |
| 12 | Valve | SUS 304 | |
| 13 | Rubber washer | NBR | |
| 14 | Cover | SUS 304 | |
| 15 | Cabrio leg | SUS 304 | |
| 16 | Rubber washer | NBR | |
| 17 | Hose | PVC | FLX010* |
| 18 | Shower base | ABS | SMD007* |
| 19 | Shower hand | ABS | MDH013* |

* CONSULTAR PARA ACABADOS DE COLOR



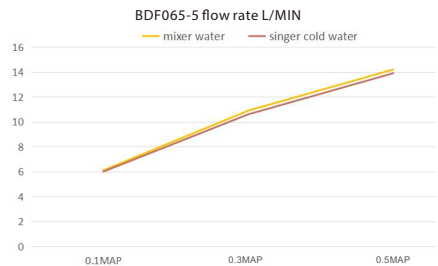
FIRENZE

Series

IMEX
BATH EQUIPMENTS

FLOW RATE

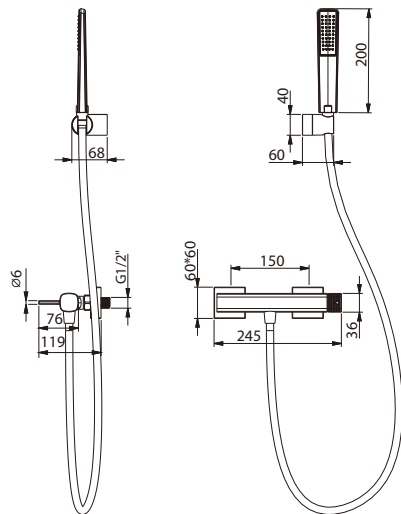
| Detalles | |
|------------------------------------|----------|
| FLOW RATE REF | BDF065-5 |
| mixer water 0.1Mpa(L/MIN) | 6.1 |
| mixer water 0.3Mpa(L/MIN) | 10.9 |
| mixer water 0.5Mpa(L/MIN) | 14.2 |
| singer cold water 0.1Mpa(L/MIN) | 6 |
| singer cold water 0.3Mpa(L/MIN) | 10.6 |
| singer cold water 0.5Mpa(L/MIN) | 13.9 |



FIRENZE

Series

IMEX
BATH EQUIPMENTS



| | |
|-------------------------|---------------------|
| Product sizes (cm) | 28*16*12.2 |
| Weight (kg) | 1.7 |
| Guarantee | 5 years |
| Max Preassure (bar) | 5 |
| Min Preassure (bar) | 0.5 |
| Optimum preassure (bar) | 1-4 (Recommended 3) |
| Max. temperature | 85°C |
| Min temperature | 65°C |

FIRENZE

Series

IMEX
BATH EQUIPMENTS

CERTIFIES

That all our products, provided that they are used in normal conditions or installed in accordance with current standards, are guaranteed against any manufacturing defect for a period of five years, except for products purchased before January 1, 2020, which will have the mandatory coverage of 2 years from the date of invoice.

Requirements and exclusions

Failure to comply with the instructions for assembly, use and maintenance of our products on the packaging and in our catalogue and published on our website: www.imexproducts.es, releases IMEX PRODUCTS, S.L. from any liability.

In any case, the acceptance of the defect by our technical department is necessary. In addition, transport costs will be charged only in the event that on IMEX PRODUCTS, S.L. technician determines the proper functioning of our products.

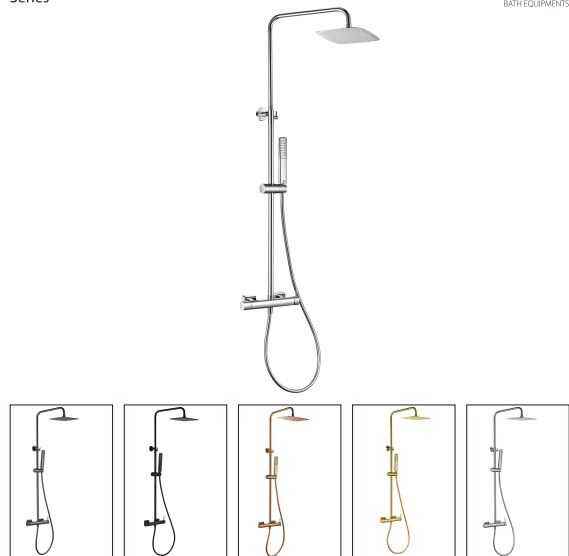
IMEX PRODUCTS, S.L. will decide to repair the product or replace it. It will be necessary to present the purchase invoice.

Assembly, maintenance or repairs carried out by non-specialists are excluded from the warranty.

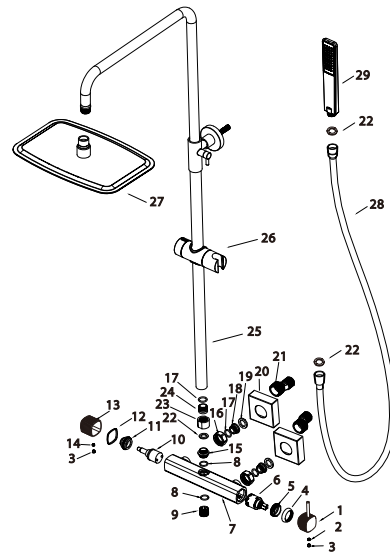
Wearing parts such as hoses, handles, seals, filters, aerators, etc. are not covered by the warranty.



PRODUCT INFORMATION SUMMARY

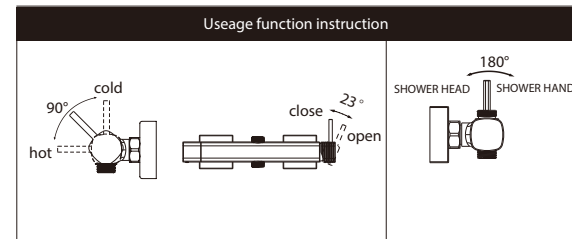
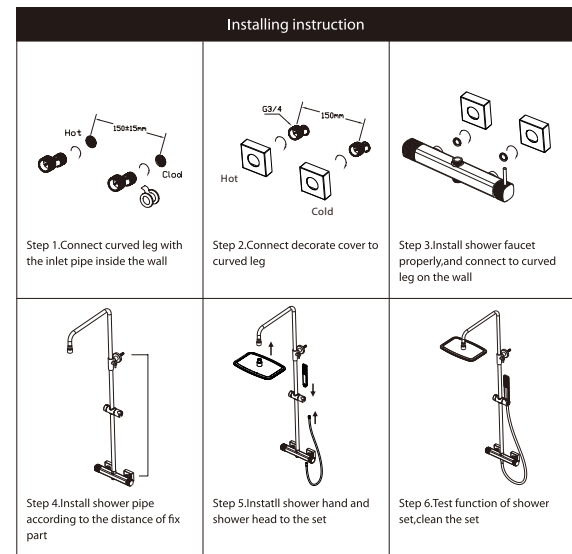


| Ref. | EAN | Finish |
|------------|---------------|-------------------|
| BDF065 | 8435668066723 | Chrome |
| BDF065-BGM | 8435668066747 | Black gun metal |
| BDF065-NG | 8435668066730 | Matte black |
| BDF065-ORC | 8435668066761 | Brushed rose gold |
| BDF065-OC | 8435668066754 | Brushed gold |
| BDF065-NQ | 8435668066778 | Brushed nickel |



| CODE | NAME | MATERIAL | REF | CODE | NAME | MATERIAL | REF |
|------|----------------|--------------|---------|------|---------------|----------|---------|
| 1 | Handle | Brass | | 16 | Nut | Brass | |
| 2 | Screw | SUS304/4x4mm | | 17 | O-ring | NBR | |
| 3 | Button | ABS | | 18 | Valve | SUS 304 | |
| 4 | Decorative cup | Brass | | 19 | Rubber washer | NBR | |
| 5 | Nut | Brass | | 20 | Cover | SUS 304 | |
| 6 | Cartridge | 28mm | | 21 | Cabrio leg | SUS 304 | |
| 7 | Body | Brass | | 22 | Rubber washer | NBR | |
| 8 | O-ring | NBR | | 23 | Nut | Brass | |
| 9 | Connect | Brass | | 24 | Connect | Brass | |
| 10 | Cartridge | 25mm up | CRT068* | 25 | Pipe | SUS 304 | |
| 11 | Nut | Brass | | 26 | Slider | ABS | |
| 12 | Washer | POM | | 27 | Shower head | SUS 304 | RDR001* |
| 13 | Handle | Brass | | 28 | Hose | PVC | FLX002* |
| 14 | Screw | SUS304 | | 29 | Shower hand | ABS | MDH013* |
| 15 | Connect | Brass | | | | | |

* CONSULTAR PARA ACABADOS DE COLOR



FIRENZE

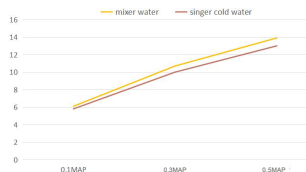
Series

IMEX
BATH EQUIPMENTS

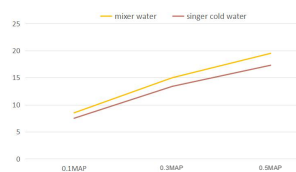
FLOW RATE

| Detailles | |
|---|--------|
| FLOW RATE REF | BDF065 |
| hand shower mixer water 0.1Mpa(L/MIN) | 6.1 |
| hand shower mixer water 0.3Mpa(L/MIN) | 10.7 |
| hand shower mixer water 0.5Mpa(L/MIN) | 13.9 |
| hand shower singer cold water 0.1Mpa(L/MIN) | 5.8 |
| hand shower singer cold water 0.3Mpa(L/MIN) | 10 |
| hand shower singer cold water 0.5Mpa(L/MIN) | 13 |
| shower head mixer water 0.1Mpa(L/MIN) | 8.5 |
| shower head mixer water 0.3Mpa(L/MIN) | 15 |
| shower head mixer water 0.5Mpa(L/MIN) | 19.5 |
| shower head singer cold water 0.1Mpa(L/MIN) | 7.5 |
| shower head singer cold water 0.3Mpa(L/MIN) | 13.4 |
| shower head singer cold water 0.5Mpa(L/MIN) | 17.3 |

hand shower
BDF065 flow rate L/MIN



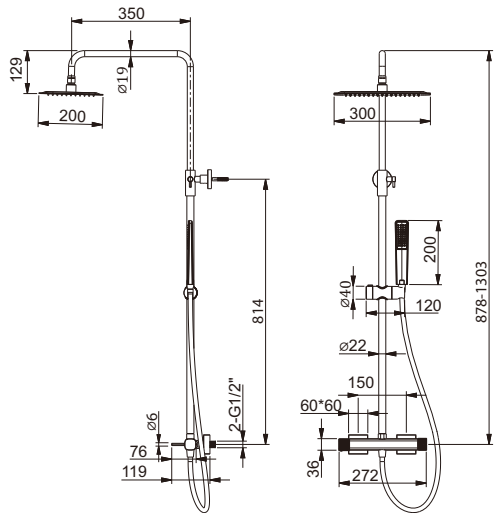
shower head
BDF065 flow rate L/MIN



FIRENZE

Series

IMEX
BATH EQUIPMENTS



| | |
|-------------------------|---------------------|
| Product sizes (cm) | 42.5*13.3*90 |
| Weight (kg) | 5.5 |
| Guarantee | 5 years |
| Max Preassure (bar) | 5 |
| Min Preassure (bar) | 0.5 |
| Optimum preassure (bar) | 1-4 (Recommended 3) |
| Max. temperature | 85°C |
| Min temperature | 65°C |

FIRENZE

Series

IMEX
BATH EQUIPMENTS

CERTIFIES

That all our products, provided that they are used in normal conditions or installed in accordance with current standards, are guaranteed against any manufacturing defect for a period of five years, except for products purchased before January 1, 2020, which will have the mand atory coverage of 2 years from the date of invoice.

Requirements and exclusions

Failure to comply with the instructions for assembly, use and maintenance of our products on the packaging and in our catalogue and published on our website: www.imexproducts.es, releases IMEX PRODUCTS, S.L. from any liability.

In any case, the acceptance of the defect by our technical department is necessary. In addition, transport costs will be charged only in the event that on IMEX PRODUCTS, S.L. technician determines the proper functioning of our products.

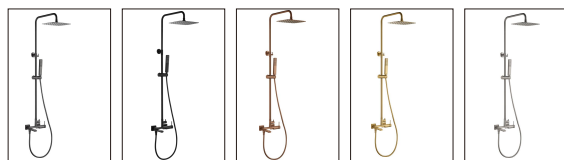
IMEX PRODUCTS, S.L. will decide to repair the product or replace it. It will be necessary to present the purchase invoice.

Assembly, maintenance or repairs carried out by non-specoalists re excluded from the warranty.

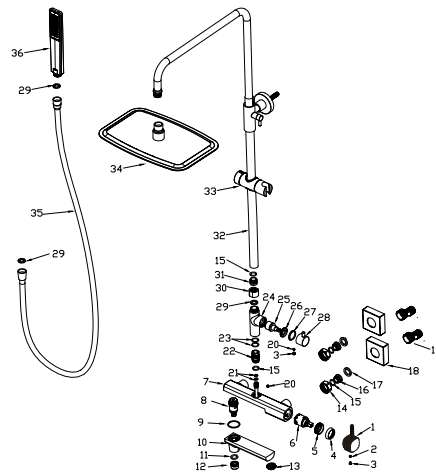
Wearing parts such as hoses, handles, seals, filters, aerators, etc. are not covered by the warranty.



PRODUCT INFORMATION SUMMARY



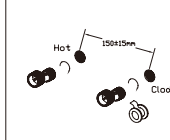
| Ref. | EAN | Finish |
|--------------|---------------|-------------------|
| BDF065-B | 8435668067324 | Chrome |
| BDF065-B/BGM | 8435668067348 | Black gun metal |
| BDF065-B/NG | 8435668067331 | Matte black |
| BDF065-B/ORC | 8435668067362 | Brushed rose gold |
| BDF065-B/OC | 8435668067355 | Brushed gold |
| BDF065-B/NQ | 8435668067379 | Brushed nickel |



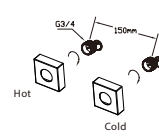
| CODE | NAME | MATERIAL | REF | CODE | NAME | MATERIAL | REF |
|------|----------------|--------------|-----|------|---------------|----------|---------|
| 1 | Handle | Brass | | 20 | Screw | SUS 304 | |
| 2 | Screw | SUS304/4x4mm | | 21 | O-ring | NBR | |
| 3 | Button | ABS | | 22 | Connect | Brass | |
| 4 | Decorative cup | Brass | | 23 | O-ring | NBR | |
| 5 | Nut | Brass | | 24 | Body | Brass | |
| 6 | Cartridge | 28mm | | 25 | Cartridge | 22mm | |
| 7 | Body | Brass | | 26 | Nut | Brass | |
| 8 | Cartridge | Brass / 24mm | | 27 | Washer | POM | |
| 9 | Washer | POM | | 28 | Handle | Zinc | |
| 10 | Outlet pipe | Brass | | 29 | Rubber washer | NBR | |
| 11 | O-ring | NBR | | 30 | Nut | Brass | |
| 12 | Connect | Brass | | 31 | Valve | SUS 304 | |
| 13 | Aerator | M24x1mm | | 32 | Pipe | SUS 304 | |
| 14 | Nut | Brass | | 33 | Slider | ABS | |
| 15 | O-ring | NBR | | 34 | Shower head | SUS 304 | RDR001* |
| 16 | Valve | SUS 304 | | 35 | Hose | PVC | FLX010* |
| 17 | Rubber washer | NBR | | 36 | Shower hand | ABS | MDH013* |
| 18 | Cover | SUS 304 | | | | | |
| 19 | Cabrio leg | SUS 304 | | | | | |

* CONSULTAR PARA ACABADOS DE COLOR

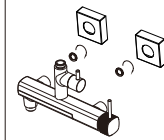
Installing instruction



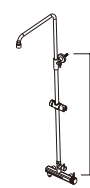
Step 1. Connect curved leg with the inlet pipe inside the wall



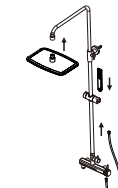
Step 2. Connect decorative cover to curved leg



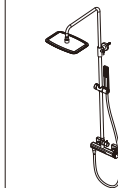
Step 3. Install shower faucet properly and connect to curved leg on the wall



Step 4. Install shower pipe according to the distance of fix part

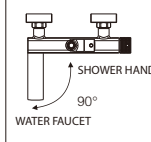
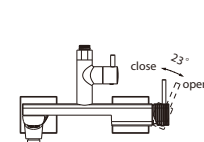
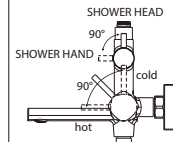


Step 5. Install shower hand and shower head to the set



Step 6. Test function of shower set, clean the set

Usage function instruction



FIRENZE

Series



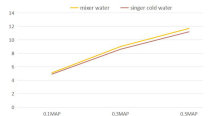
FLOW RATE

| Detailles | |
|--|----------|
| FLOW RATE REF | BDF065-B |
| water outlet mixer water 0.1Mpa(L/MIN) | 6.9 |
| water outlet mixer water 0.3Mpa(L/MIN) | 12 |
| water outlet mixer water 0.5Mpa(L/MIN) | 15.7 |
| water outlet singer cold water 0.1Mpa(L/MIN) | 6.3 |
| water outlet singer cold water 0.3Mpa(L/MIN) | 11.1 |
| water outlet singer cold water 0.5Mpa(L/MIN) | 14.5 |
| hand shower mixer water 0.1Mpa(L/MIN) | 5.1 |
| hand shower mixer water 0.3Mpa(L/MIN) | 9 |
| hand shower mixer water 0.5Mpa(L/MIN) | 11.7 |
| hand shower singer cold water 0.1Mpa(L/MIN) | 4.9 |
| hand shower singer cold water 0.3Mpa(L/MIN) | 8.6 |
| hand shower singer cold water 0.5Mpa(L/MIN) | 11.2 |
| shower head mixer water 0.1Mpa(L/MIN) | 6.7 |
| shower head mixer water 0.3Mpa(L/MIN) | 12.2 |
| shower head mixer water 0.5Mpa(L/MIN) | 15.8 |
| shower head singer cold water 0.1Mpa(L/MIN) | 6.2 |
| shower head singer cold water 0.3Mpa(L/MIN) | 11.3 |
| shower head singer cold water 0.5Mpa(L/MIN) | 14.7 |

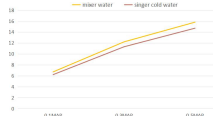
water outlet
BDF065-B flow rate L/MIN



hand shower
BDF065-B flow rate L/MIN

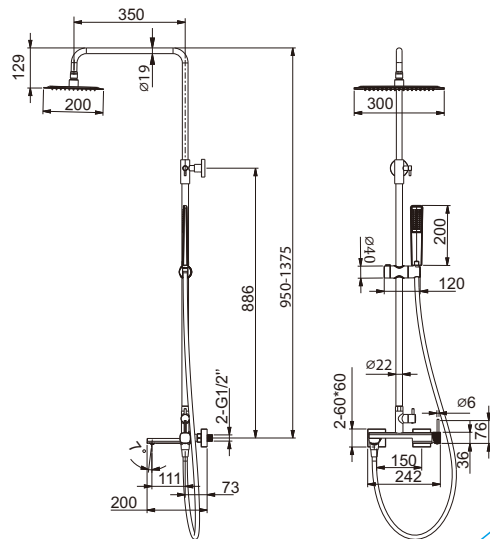


shower head
BDF065-B flow rate L/MIN



FIRENZE

Series



| | |
|------------------------|---------------------|
| Product sizes (cm) | 33*19.5*10.5 |
| Weight (kg) | 2.6 |
| Guarantee | 5 years |
| Max Preasure (bar) | 5 |
| Min Preasure (bar) | 0.5 |
| Optimum preasure (bar) | 1-4 (Recommended 3) |
| Max. temperature | 85°C |
| Min temperature | 65°C |

FIRENZE

Series



CERTIFIES

That all our products, provided that they are used in normal conditions or installed in accordance with current standards, are guaranteed against any manufacturing defect for a period of five years, except for products purchased before January 1, 2020, which will have the mandatory coverage of 2 years from the date of invoice.

Requirements and exclusions

Failure to comply with the instructions for assembly, use and maintenance of our products on the packaging and in our catalogue and published on our website: www.imexproducts.es, releases IMEX PRODUCTS, S.L. from any liability.

In any case, the acceptance of the defect by our technical department is necessary. In addition, transport costs will be charged only in the event that on IMEX PRODUCTS, S.L. technician determines the proper functioning of our products.

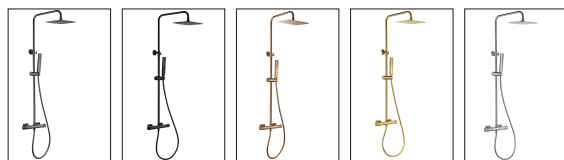
IMEX PRODUCTS, S.L. will decide to repair the product or replace it. It will be necessary to present the purchase invoice.

Assembly, maintenance or repairs carried out by non-specialists are excluded from the warranty.

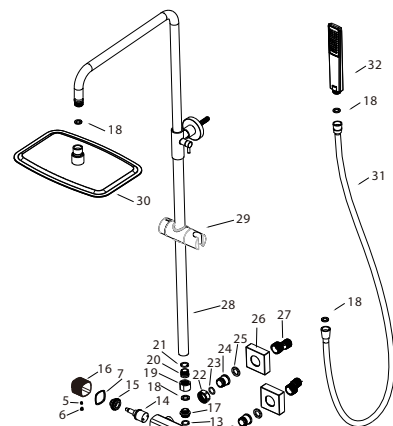
Wearing parts such as hoses, handles, seals, filters, aerators, etc. are not covered by the warranty.



PRODUCT INFORMATION SUMMARY



| Ref. | EAN | Finish |
|------------|---------------|-------------------|
| BTF065 | 8435668067089 | Chrome |
| BTF065/BGM | 8435668067102 | Black gun metal |
| BTF065/NG | 8435668067096 | Matte black |
| BTF065/ORC | 8435668067126 | Brushed rose gold |
| BTF065/OC | 8435668067119 | Brushed gold |
| BTF065/NQ | 8435668067133 | Brushed nickel |

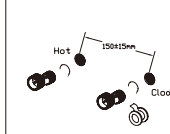


| CODE | NAME | MATERIAL | REF | CODE | NAME | MATERIAL | REF |
|------|--------------|---------------|-----|------|---------------|----------|-----|
| 1 | Pin | SUS 304 | | 17 | Connect | Brass | |
| 2 | Handle lever | Brass | | 18 | Rubber washer | NBR | |
| 3 | Spring | SUS 304 | | 19 | Nut | Brass | |
| 4 | Handle | Brass | | 20 | Valve | SUS 304 | |
| 5 | Screw | SUS304/4x6mm | | 21 | O-ring | NBR | |
| 6 | Cover | ABS | | 22 | Nut | Brass | |
| 7 | Washer | POM | | 23 | O-ring | NBR | |
| 8 | Washer | POM | | 24 | Valve | SUS 304 | |
| 9 | Cartridge | 30mm | | 25 | Rubber washer | NBR | |
| 10 | Screw | SUS304/5x10mm | | 26 | Cover | SUS 304 | |
| 11 | Body | Brass | | 27 | Cabrio leg | SUS 304 | |
| 12 | Connect | Brass | | 28 | Pipe | SUS 304 | |
| 13 | O-ring | NBR | | 29 | Slider | ABS | |
| 14 | Cartridge | 25mm up | | 30 | Shower head | SUS 304 | |
| 15 | Nut | Brass | | 31 | Hose | PVC | |
| 16 | Handle | Brass | | 32 | Shower hand | ABS | |

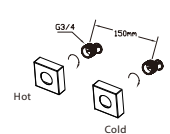
* CONSULTAR PARA ACABADOS DE COLOR

RDR001*
FLX002*
MDH013*

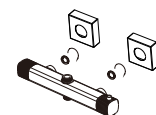
Installing instruction



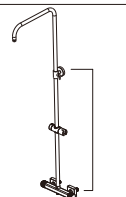
Step 1. Connect curved leg with the inlet pipe inside the wall



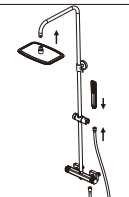
Step 2. Connect decorative cover to curved leg



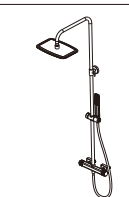
Step 3. Install shower faucet properly and connect to curved leg on the wall



Step 4. Install shower pipe according to the distance of fix part

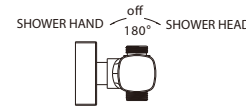
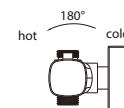


Step 5. Install shower hand and shower head to the set



Step 6. Test function of shower set, clean the set

Usage function instruction



FIRENZE

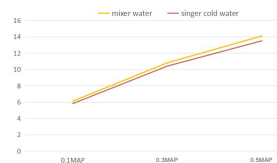
Series



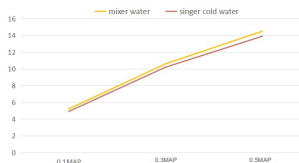
FLOW RATE

| Detalles | |
|---|--------|
| FLOW RATE REF | BTF065 |
| hand shower mixer water 0.1Mpa(L/MIN) | 6.1 |
| hand shower mixer water 0.3Mpa(L/MIN) | 10.8 |
| hand shower mixer water 0.5Mpa(L/MIN) | 14.1 |
| hand shower singer cold water 0.1Mpa(L/MIN) | 5.8 |
| hand shower singer cold water 0.3Mpa(L/MIN) | 10.4 |
| hand shower singer cold water 0.5Mpa(L/MIN) | 13.5 |
| shower head mixer water 0.1Mpa(L/MIN) | 5.2 |
| shower head mixer water 0.3Mpa(L/MIN) | 10.6 |
| shower head mixer water 0.5Mpa(L/MIN) | 14.5 |
| shower head singer cold water 0.1Mpa(L/MIN) | 4.9 |
| shower head singer cold water 0.3Mpa(L/MIN) | 10.2 |
| shower head singer cold water 0.5Mpa(L/MIN) | 13.9 |

hand shower
BTF065 flow rate L/MIN

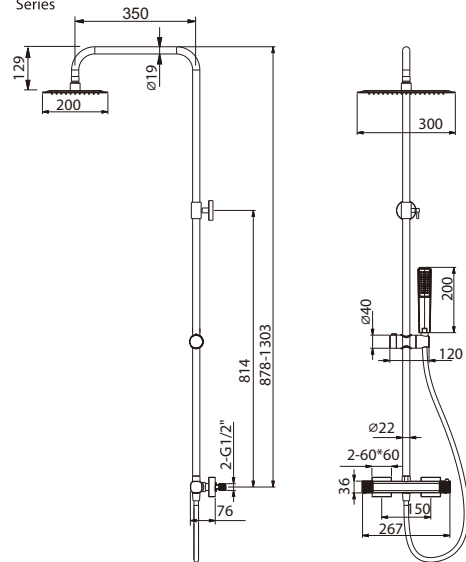


shower head
BTF065 flow rate L/MIN



FIRENZE

Series



| | |
|------------------------|---------------------|
| Product sizes (cm) | 42.5*13.3*90 |
| Weight (kg) | 5.5 |
| Guarantee | 5 years |
| Max Preasure (bar) | 5 |
| Min Preasure (bar) | 0.5 |
| Optimum preasure (bar) | 1-4 (Recommended 3) |
| Max. temperature | 85°C |
| Min temperature | 65°C |

FIRENZE

Series



CERTIFIES

That all our products, provided that they are used in normal conditions or installed in accordance with current standards, are guaranteed against any manufacturing defect for a period of five years, except for products purchased before January 1, 2020, which will have the mand atory coverage of 2 years from the date of invoice.

Requirements and exclusions

Failure to comply with the instructions for assembly, use and maintenance of our products on the packaging and in our catalogue and published on our website: www.imexproducts.es, releases IMEX PRODUCTS, S.L. from any liability.

In any case, the acceptance of the defect by our technical department is necessary. In addition, transport costs will be charged only in the event that on IMEX PRODUCTS, S.L. technician determines the proper functioning of our products.

IMEX PRODUCTS, S.L. will decide to repair the product or replace it. It will be necessary to present the purchase invoice.

Assembly, maintenance or repairs carried out by non-specoalists re excluded from the warranty.

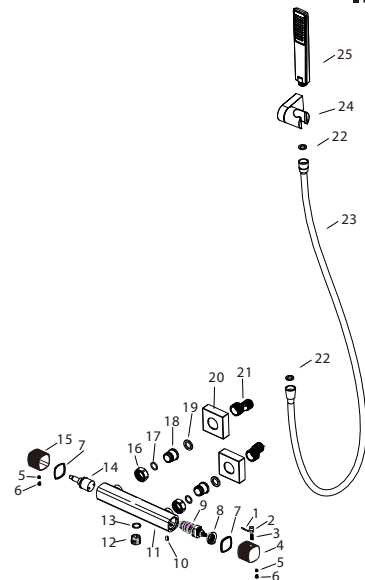
Wearing parts such as hoses, handles, seals, filters, aerators, etc. are not covered by the warranty.



**PRODUCT
INFORMATION
SUMMARY**

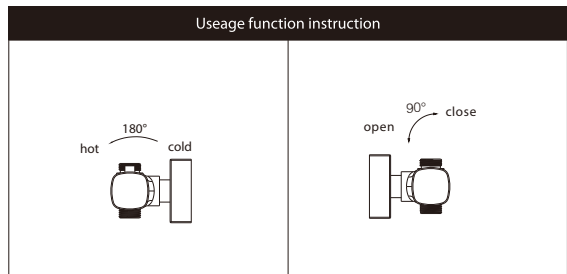
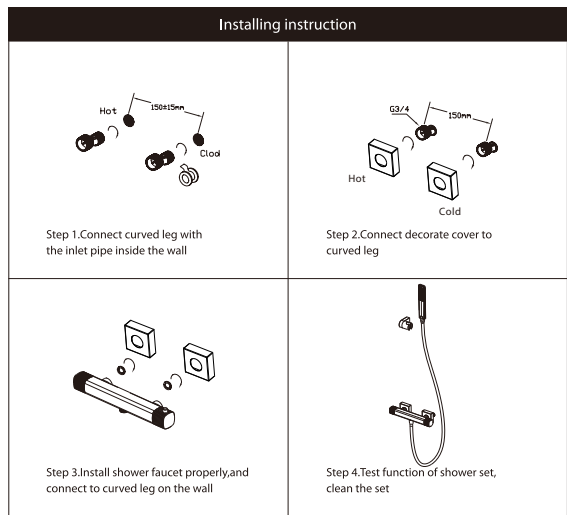


| Ref. | EAN | Finish |
|-------------|---------------|-------------------|
| BTF065-5 | 8435668067201 | Chrome |
| BTF065-5BGM | 8435668067225 | Black gun metal |
| BTF065-5NG | 8435668067218 | Matte black |
| BTF065-5ORC | 8435668067249 | Brushed rose gold |
| BTF065-5OC | 8435668067232 | Brushed gold |
| BTF065-5NQ | 8435668067256 | Brushed nickel |



| CODE | NAME | MATERIAL | REF | CODE | NAME | MATERIAL | REF |
|------|--------------|---------------|-----|------|---------------|----------|---------|
| 1 | Pin | SUS 304 | | 14 | Cartridge | 21 mm | |
| 2 | Handle lever | Brass | | 15 | Handle | Brass | |
| 3 | Spring | SUS 304 | | 16 | Nut | Brass | |
| 4 | Handle | Brass | | 17 | O-ring | NBR | |
| 5 | Screw | SUS304/4x6mm | | 18 | Valve | SUS 304 | |
| 6 | Button | ABS | | 19 | Rubber washer | NBR | |
| 7 | Washer | POM | | 20 | Cover | SUS 304 | |
| 8 | Washer | POM | | 21 | Cabrio leg | SUS 304 | |
| 9 | Cartridge | 30mm | | 22 | Rubber washer | NBR | |
| 10 | Screw | SUS304/5x10mm | | 23 | Hose | PVC | FLX010* |
| 11 | Body | Brass | | 24 | Shower base | ABS | SMD007* |
| 12 | Connect | Brass | | 25 | Shower hand | ABS | MDH013* |
| 13 | O-ring | NBR | | | | | |

* CONSULTAR PARA ACABADOS DE COLOR



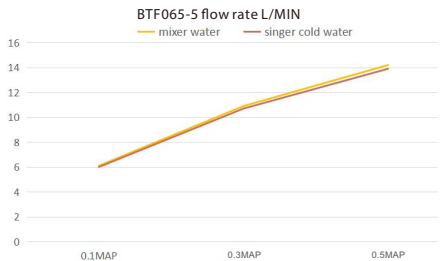
FIRENZE

Series

IMEX
BATH EQUIPMENTS

FLOW RATE

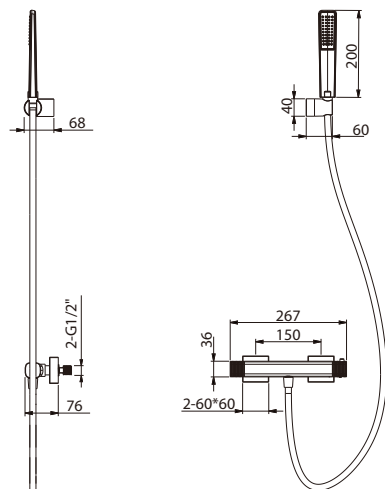
| Detalles | |
|------------------------------------|----------|
| FLOW RATE REF | BTF065-5 |
| mixer water 0.1Mpa(L/MIN) | 6.1 |
| mixer water 0.3Mpa(L/MIN) | 10.9 |
| mixer water 0.5Mpa(L/MIN) | 14.2 |
| singer cold water 0.1Mpa(L/MIN) | 6 |
| singer cold water 0.3Mpa(L/MIN) | 10.7 |
| singer cold water 0.5Mpa(L/MIN) | 13.9 |



FIRENZE

Series

IMEX
BATH EQUIPMENTS



| | |
|-------------------------|---------------------|
| Product sizes (cm) | 33*19.5*10.5 |
| Weight (kg) | 1.9 |
| Guarantee | 5 years |
| Max Preassure (bar) | 5 |
| Min Preassure (bar) | 0.5 |
| Optimum preassure (bar) | 1-4 (Recommended 3) |
| Max. temperature | 85°C |
| Min temperature | 65°C |

FIRENZE

Series

IMEX
BATH EQUIPMENTS

CERTIFIES

That all our products, provided that they are used in normal conditions or installed in accordance with current standards, are guaranteed against any manufacturing defect for a period of five years, except for products purchased before January 1, 2020, which will have the mandatory coverage of 2 years from the date of invoice.

Requirements and exclusions

Failure to comply with the instructions for assembly, use and maintenance of our products on the packaging and in our catalogue and published on our website: www.imexproducts.es, releases IMEX PRODUCTS, S.L. from any liability.

In any case, the acceptance of the defect by our technical department is necessary. In addition, transport costs will be charged only in the event that on IMEX PRODUCTS, S.L. technician determines the proper functioning of our products.

IMEX PRODUCTS, S.L. will decide to repair the product or replace it. It will be necessary to present the purchase invoice.

Assembly, maintenance or repairs carried out by non-specialists are excluded from the warranty.

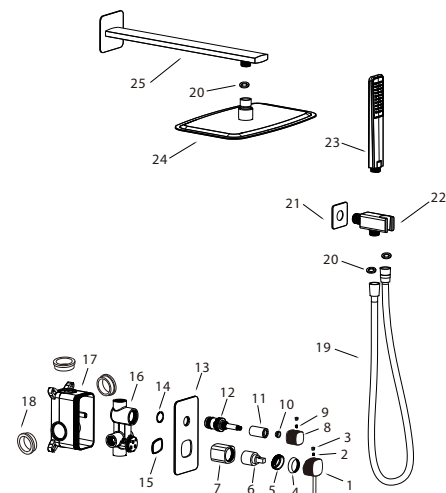
Wearing parts such as hoses, handles, seals, filters, aerators, etc. are not covered by the warranty.



PRODUCT INFORMATION SUMMARY

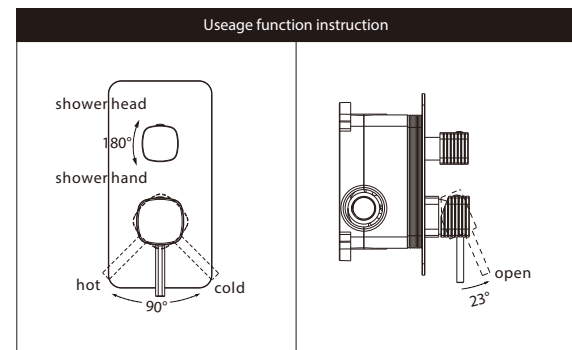
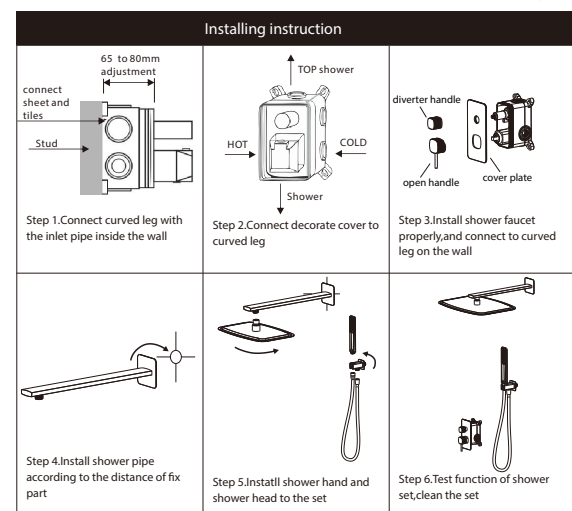


| Ref. | EAN | Finish |
|------------|---------------|-------------------|
| GPF065 | 8435668067621 | Chrome |
| GPF065/BGM | 8435668067645 | Black gun metal |
| GPF065/NG | 8435668067638 | Matte black |
| GPF065/ORC | 8435668067669 | Brushed rose gold |
| GPF065/OC | 8435668067652 | Brushed gold |
| GPF065/NQ | 8435668067676 | Brushed nickel |



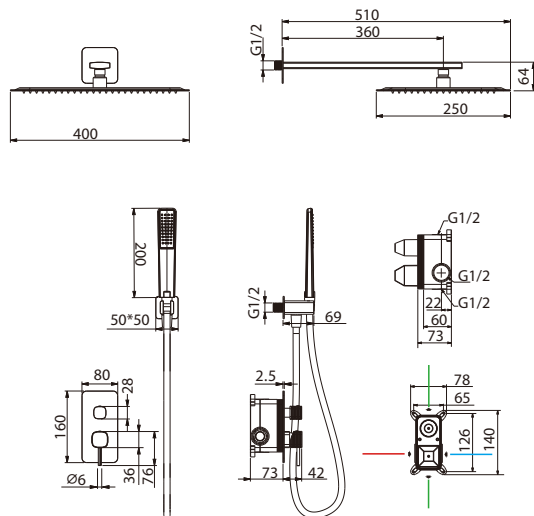
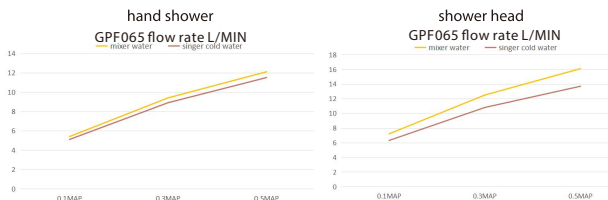
| CODE | NAME | MATERIAL | REF | CODE | NAME | MATERIAL | REF |
|------|------------------|--------------|---------|---------------|---------|----------|-----|
| 1 | Handle | Brass | 14 | O-ring | NBR | | |
| 2 | Screw | SUS304/4x4mm | 15 | O-ring | NBR | | |
| 3 | Button | ABS | 16 | Body | Brass | | |
| 4 | Cover | Brass | 17 | BOX | ABS | | |
| 5 | Nut | Brass | 18 | Rubber ring | NBR | | |
| 6 | Cartridge | 28mm | 19 | Hose | PVC | FLX002* | |
| 7 | Cartridge cover | Brass | 20 | Rubber washer | NBR | | |
| 8 | Handle | Brass | 21 | Cover | Brass | | |
| 9 | Screw | SUS304/4x6mm | 22 | Shower base | Brass | | |
| 10 | Washer | POM | 23 | Shower hand | ABS | MDH013* | |
| 11 | Cover | Brass | 24 | Shower head | SUS 304 | RDR002* | |
| 12 | Cartridge | Brass/27mm | CRT060* | Hose | SUS 304 | BPC005* | |
| 13 | Decorative plate | SUS 304 | | | | | |

* CONSULTAR PARA ACABADOS DE COLOR



FLOW RATE

| Detalles | |
|---|--------|
| FLOW RATE REF | GPF065 |
| hand shower mixer water 0.1Mpa(L/MIN) | 5.85 |
| hand shower mixer water 0.3Mpa(L/MIN) | 10.74 |
| hand shower mixer water 0.5Mpa(L/MIN) | 14.43 |
| hand shower singer cold water 0.1Mpa(L/MIN) | 5.55 |
| hand shower singer cold water 0.3Mpa(L/MIN) | 10.05 |
| hand shower singer cold water 0.5Mpa(L/MIN) | 13.48 |
| shower head mixer water 0.1Mpa(L/MIN) | 5.87 |
| shower head mixer water 0.3Mpa(L/MIN) | 12.34 |
| shower head mixer water 0.5Mpa(L/MIN) | 15.75 |
| shower head singer cold water 0.1Mpa(L/MIN) | 6.1 |
| shower head singer cold water 0.3Mpa(L/MIN) | 11.58 |
| shower head singer cold water 0.5Mpa(L/MIN) | 15.37 |



| | |
|------------------------|---------------------|
| Product sizes (cm) | 43*30*14 |
| Weight (kg) | 4.9 |
| Guarantee | 5 years |
| Max Preasure (bar) | 5 |
| Min Preasure (bar) | 0.5 |
| Optimum preasure (bar) | 1-4 (Recommended 3) |
| Max. temperature | 85°C |
| Min temperature | 65°C |

CERTIFIES

That all our products, provided that they are used in normal conditions or installed in accordance with current standards, are guaranteed against any manufacturing defect for a period of five years, except for products purchased before January 1, 2020, which will have the mand atory coverage of 2 years from the date of invoice.

Requirements and exclusions

Failure to comply with the instructions for assembly, use and maintenance of our products on the packaging and in our catalogue and published on our website: www.imexproducts.es, releases IMEX PRODUCTS, S.L. from any liability.

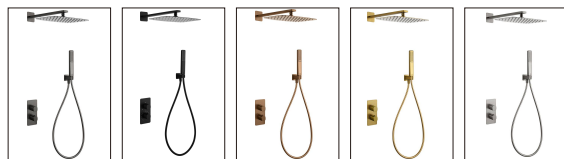
In any case, the acceptance of the defect by our technical department is necessary. In addition, transport costs will be charged only in the event that on IMEX PRODUCTS, S.L. technician determines the proper functioning of our products.

IMEX PRODUCTS, S.L. will decide to repair the product or replace it. It will be necessary to present the purchase invoice.

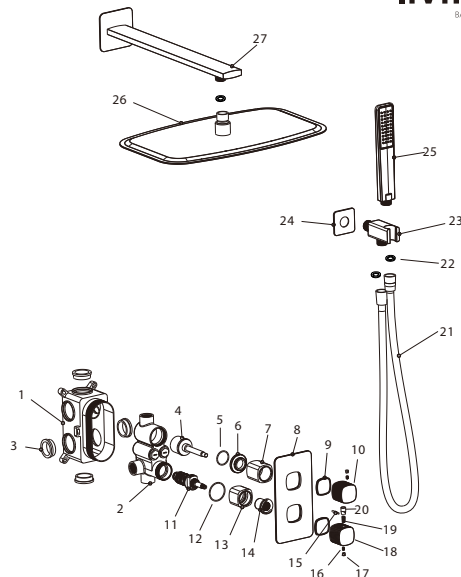
Assembly, maintenance or repairs carried out by non-specoalists re excluded from the warranty.

Wearing parts such as hoses, handles, seals, filters, aerators, etc. are not covered by the warranty.





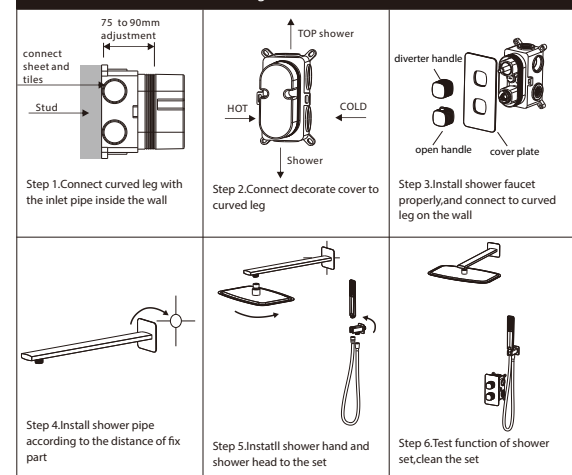
| Ref. | EAN | Finish |
|------------|---------------|-------------------|
| GTF065 | 8435668067744 | Chrome |
| GTF065/BGM | 8435668067768 | Black gun metal |
| GTF065/NG | 8435668067751 | Matte black |
| GTF065/ORC | 8435668067782 | Brushed rose gold |
| GTF065/OC | 8435668067775 | Brushed gold |
| GTF065/NQ | 8435668067799 | Brushed nickel |



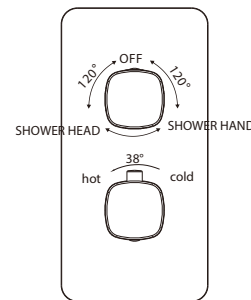
| CODE | NAME | MATERIAL | REF | CODE | NAME | MATERIAL | REF |
|------|------------------|----------|-----|------|---------------|--------------|---------|
| 1 | BOX | ABS | | 15 | Pin | SUS 304 | |
| 2 | Body | Brass | | 16 | Screw | SUS304/4x6mm | |
| 3 | Rubber ring | NBR | | 17 | Button | ABS | |
| 4 | Cartridge | 33mm | | 18 | Handle | Brass | |
| 5 | O-ring | NBR | | 19 | Spring | SUS 304 | |
| 6 | Nut | Brass | | 20 | Handle lever | Brass | |
| 7 | Cartridge cover | Brass | | 21 | Hose | PVC | FLX002* |
| 8 | Decorative plate | SUS 304 | | 22 | Rubber washer | NBR | |
| 9 | Washer | POM | | 23 | Shower base | Brass | |
| 10 | Handle | Brass | | 24 | Cover | Brass | |
| 11 | Cartridge | 30mm | | 25 | Shower hand | ABS | MDH013* |
| 12 | O-ring | NBR | | 26 | Shower head | SUS 304 | RDR002* |
| 13 | Cartridge cover | Brass | | 27 | Hose | SUS 304 | BPC005* |
| 14 | Washer | POM | | | | | |

* CONSULTAR PARA ACABADOS DE COLOR

Installing instruction



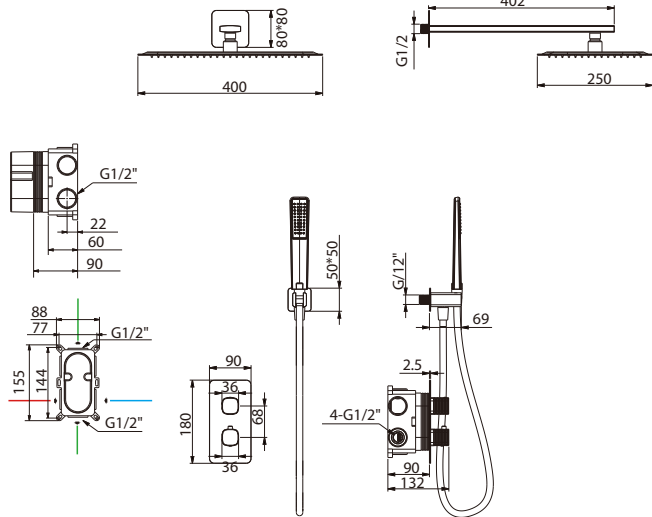
Usage function instruction



**PRODUCT
INFORMATION
SUMMARY**

FLOW RATE

| Detalles | |
|---|--------|
| FLOW RATE REF | GTF065 |
| hand shower mixer water 0.1Mpa(L/MIN) | 4.9 |
| hand shower mixer water 0.3Mpa(L/MIN) | 8.8 |
| hand shower mixer water 0.5Mpa(L/MIN) | 11.6 |
| hand shower singer cold water 0.1Mpa(L/MIN) | 4.8 |
| hand shower singer cold water 0.3Mpa(L/MIN) | 8.7 |
| hand shower singer cold water 0.5Mpa(L/MIN) | 11.5 |
| shower head mixer water 0.1Mpa(L/MIN) | 6.5 |
| shower head mixer water 0.3Mpa(L/MIN) | 11.7 |
| shower head mixer water 0.5Mpa(L/MIN) | 15.3 |
| shower head singer cold water 0.1Mpa(L/MIN) | 6.4 |
| shower head singer cold water 0.3Mpa(L/MIN) | 11.5 |
| shower head singer cold water 0.5Mpa(L/MIN) | 14.8 |



| | |
|------------------------|---------------------|
| Product sizes (cm) | 43*30*14 |
| Weight (kg) | 5.45 |
| Guarantee | 5 years |
| Max Preasure (bar) | 5 |
| Min Preasure (bar) | 0.5 |
| Optimum preasure (bar) | 1-4 (Recommended 3) |
| Max. temperature | 85°C |
| Min temperature | 65°C |

CERTIFIES

That all our products, provided that they are used in normal conditions or installed in accordance with current standards, are guaranteed against any manufacturing defect for a period of five years, except for products purchased before January 1, 2020, which will have the mandatory coverage of 2 years from the date of invoice.

Requirements and exclusions

Failure to comply with the instructions for assembly, use and maintenance of our products on the packaging and in our catalogue and published on our website: www.imexproducts.es, releases IMEX PRODUCTS, S.L. from any liability.

In any case, the acceptance of the defect by our technical department is necessary. In addition, transport costs will be charged only in the event that on IMEX PRODUCTS, S.L. technician determines the proper functioning of our products.

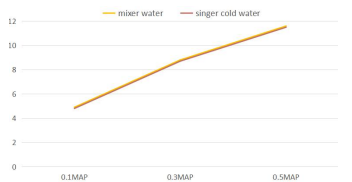
IMEX PRODUCTS, S.L. will decide to repair the product or replace it. It will be necessary to present the purchase invoice.

Assembly, maintenance or repairs carried out by non-specialists are excluded from the warranty.

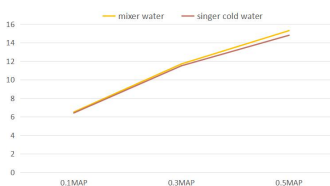
Wearing parts such as hoses, handles, seals, filters, aerators, etc. are not covered by the warranty.



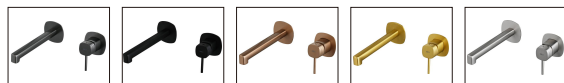
hand shower
GTF065 flow rate L/MIN



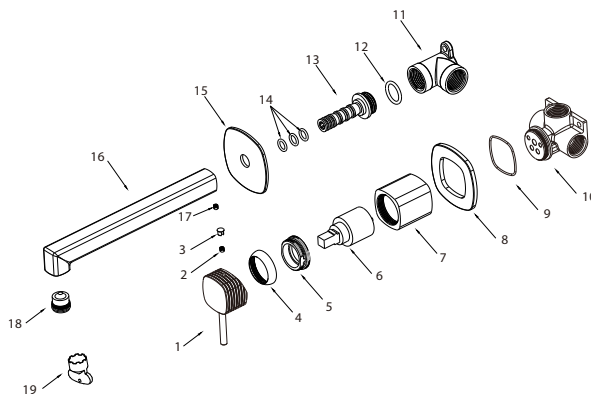
shower head
GTF065 flow rate L/MIN



**PRODUCT
INFORMATION
SUMMARY**



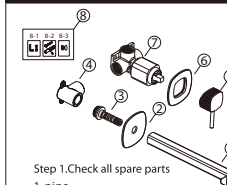
| Ref. | EAN | Finish |
|------------|---------------|-------------------|
| GLF065 | 8435668067447 | Chrome |
| GLF065/BGM | 8435668067461 | Black gun metal |
| GLF065/NG | 8435668067454 | Matte black |
| GLF065/ORC | 8435668067485 | Brushed rose gold |
| GLF065/OC | 8435668067478 | Brushed gold |
| GLF065/NQ | 8435668067492 | Brushed nickel |



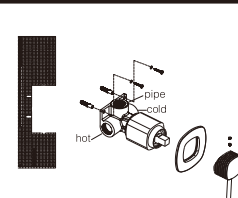
| CODE | NAME | MATERIAL | REF |
|------|-----------------|----------------|-------------|
| 1 | Handle | Brass | |
| 2 | Screw | SUS304 / 4*4mm | |
| 3 | Button | ABS | |
| 4 | Cover | Brass | |
| 5 | Nut | Brass | |
| 6 | Cartridge | 28mm | |
| 7 | Cartridge cover | Brass | |
| 8 | Cover | SUS 304 | |
| 9 | O-ring | NBR | |
| 10 | Body | Brass | |
| 11 | Connector | Brass | |
| 12 | O-ring | NBR | |
| 13 | Connect | Brass | |
| 14 | O-ring | NBR | |
| 15 | Cover | SUS 304 | |
| 16 | Outlet pipe | Brass | |
| 17 | Screw | SUS304 / 5*5mm | |
| 18 | Aerator | 16.5x1mm | SAT-AIR060* |
| 19 | Aerator spanner | plastic | SAT-KEY* |

*CONSULTAR PARA ACABADOS DE COLOR

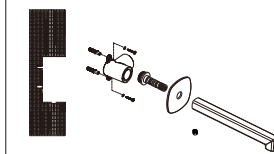
Installing instruction



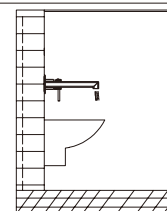
- Step 1. Check all spare parts
 1-pipe
 2-cover plate of pipe
 3-Connect
 4-body to pipe
 5-handle
 6-cover plate of handle
 7-body to handle
 8-spare part bag



- Step 2. Dig hole for body to handle
 2.1-Hole size 50*50mm, depth from 45 to 75mm
 2.2-Dig two 6mm holes with 54mm distance
 2.3- Assemble spare parts as picture shows

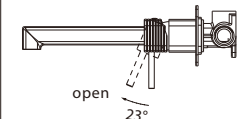
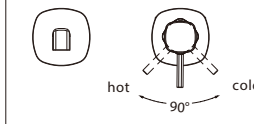


- Step 3. Dig hole for body to pipe
 3.1-Hole size 45*45mm, depth 40mm
 3.2-Dig two 6mm holes with 35mm distance
 3.3-Assemble spare parts as picture shows



- Step 4. Connect inside pipe and test for leak checking

Usage function instruction



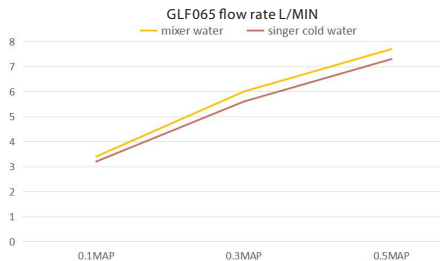
FIRENZE

Series

IMEX
BATH EQUIPMENTS

FLOW RATE

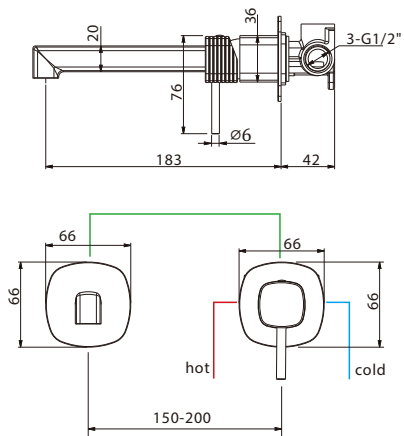
| Detalles | |
|------------------------------------|--------|
| FLOW RATE REF | GLF065 |
| mixer water 0.1Mpa(L/MIN) | 3.4 |
| mixer water 0.3Mpa(L/MIN) | 6 |
| mixer water 0.5Mpa(L/MIN) | 7.7 |
| singer cold water 0.1Mpa(L/MIN) | 3.2 |
| singer cold water 0.3Mpa(L/MIN) | 5.6 |
| singer cold water 0.5Mpa(L/MIN) | 7.3 |



FIRENZE

Series

IMEX
BATH EQUIPMENTS



| | |
|-------------------------|---------------------|
| Product sizes (cm) | 29*17.5*6.7 |
| Weight (kg) | 1.2 |
| Guarantee | 5 years |
| Max Preassure (bar) | 5 |
| Min Preassure (bar) | 0.5 |
| Optimum preassure (bar) | 1-4 (Recommended 3) |
| Max. temperature | 85°C |
| Min temperature | 65°C |

FIRENZE

Series

IMEX
BATH EQUIPMENTS

CERTIFIES

That all our products, provided that they are used in normal conditions or installed in accordance with current standards, are guaranteed against any manufacturing defect for a period of five years, except for products purchased before January 1, 2020, which will have the mandatory coverage of 2 years from the date of invoice.

Requirements and exclusions

Failure to comply with the instructions for assembly, use and maintenance of our products on the packaging and in our catalogue and published on our website: www.imexproducts.es, releases IMEX PRODUCTS, S.L. from any liability.

In any case, the acceptance of the defect by our technical department is necessary. In addition, transport costs will be charged only in the event that on IMEX PRODUCTS, S.L. technician determines the proper functioning of our products.

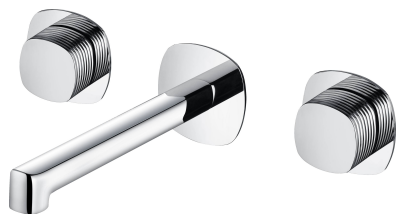
IMEX PRODUCTS, S.L. will decide to repair the product or replace it. It will be necessary to present the purchase invoice.

Assembly, maintenance or repairs carried out by non-specialists are excluded from the warranty.

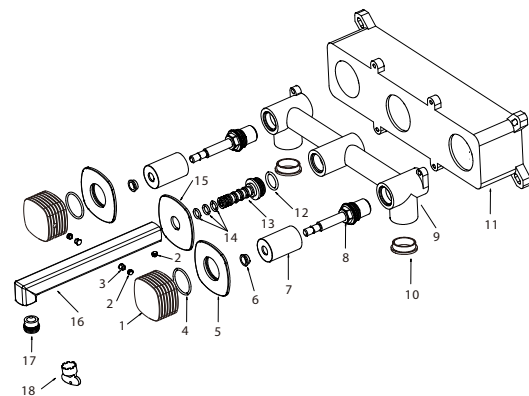
Wearing parts such as hoses, handles, seals, filters, aerators, etc. are not covered by the warranty.



**PRODUCT
INFORMATION
SUMMARY**



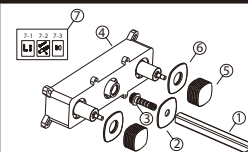
| Ref. | EAN | Finish |
|------------|---------------|-------------------|
| BPF065 | 8435668067508 | Chrome |
| BPF065/BGM | 8435668067522 | Black gun metal |
| BPF065/NG | 8435668067515 | Matte black |
| BPF065/ORC | 8435668067546 | Brushed rose gold |
| BPF065/OC | 8435668067539 | Brushed gold |
| BPF065/NQ | 8435668067553 | Brushed nickel |



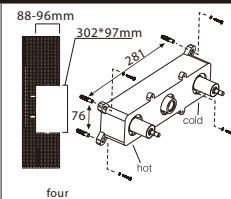
| CODE | NAME | MATERIAL | REF |
|------|-----------------|----------------|-------------|
| 1 | Handle | Brass | |
| 2 | Screw | SUS304 / 5*5mm | |
| 3 | Button | ABS | |
| 4 | O-ring | NBR | |
| 5 | Cover | SUS 304 | |
| 6 | Washer | POM | |
| 7 | Cartridge cover | Brass | |
| 8 | Cartridge | 21 mm | |
| 9 | Body | Brass | |
| 10 | Rubber ring | NBR | |
| 11 | BOX | ABS | |
| 12 | O-ring | NBR | |
| 13 | Connect | Brass | |
| 14 | O-ring | NBR | |
| 15 | Cover | SUS 304 | |
| 16 | Outlet pipe | Brass | |
| 17 | Aerator | 16.5x1mm | SAT-AIR060* |
| 18 | Aerator spanner | plastic | SAT-KEY* |

* CONSULTAR PARA ACABADOS DE COLOR

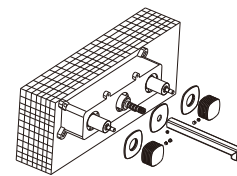
Installing instruction



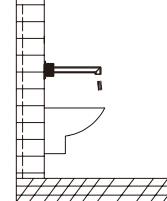
- Step 1. Check all spare parts
- 1-pipe
 - 2-cover plate of pipe
 - 3-Connect
 - 4-body
 - 5-handle*2
 - 6-cover plate of handle*2
 - 7-spare part bag



- Step 2. Dig hole for body to handle
- 2.1-Hole size 302*97mm depth from 88-96mm
 - 2.2-Dig four 6mm holes with 281*76mm distance
 - 2.3-Assemble spare parts as picture shows

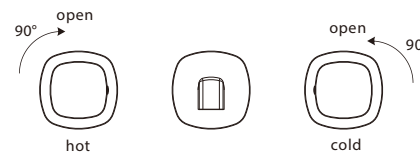


Step 3: installing handles and connect inside pipe



Step 4. Connect inside pipe and test for leak checking

Useage function instruction



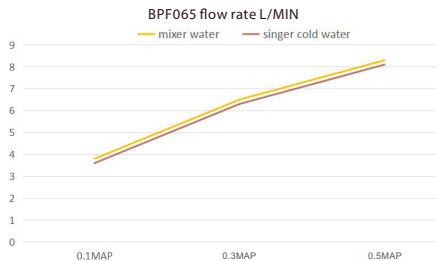
FIRENZE

Series

IMEX
BATH EQUIPMENTS

FLOW RATE

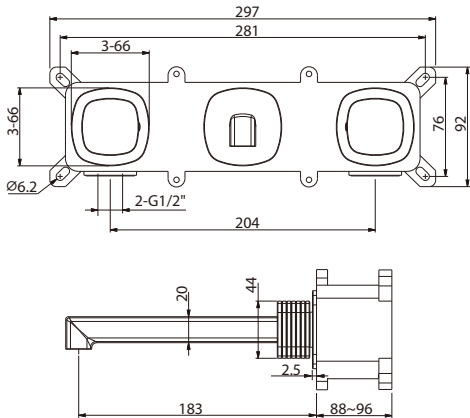
| Detalles | |
|------------------------------------|--------|
| FLOW RATE REF | BPF065 |
| mixer water 0.1Mpa(L/MIN) | 3.8 |
| mixer water 0.3Mpa(L/MIN) | 6.5 |
| mixer water 0.5Mpa(L/MIN) | 8.3 |
| singer cold water 0.1Mpa(L/MIN) | 3.6 |
| singer cold water 0.3Mpa(L/MIN) | 6.3 |
| singer cold water 0.5Mpa(L/MIN) | 8.1 |



FIRENZE

Series

IMEX
BATH EQUIPMENTS



| | |
|-------------------------|---------------------|
| Product sizes (cm) | 38*22*12 |
| Weight (kg) | 2.3 |
| Guarantee | 5 years |
| Max Preassure (bar) | 5 |
| Min Preassure (bar) | 0.5 |
| Optimum preassure (bar) | 1-4 (Recommended 3) |
| Max. temperature | 85°C |
| Min temperature | 65°C |

FIRENZE

Series

IMEX
BATH EQUIPMENTS

CERTIFIES

That all our products, provided that they are used in normal conditions or installed in accordance with current standards, are guaranteed against any manufacturing defect for a period of five years, except for products purchased before January 1, 2020, which will have the mandatory coverage of 2 years from the date of invoice.

Requirements and exclusions

Failure to comply with the instructions for assembly, use and maintenance of our products on the packaging and in our catalogue and published on our website: www.imexproducts.es, releases IMEX PRODUCTS, S.L. from any liability.

In any case, the acceptance of the defect by our technical department is necessary. In addition, transport costs will be charged only in the event that on IMEX PRODUCTS, S.L. technician determines the proper functioning of our products.

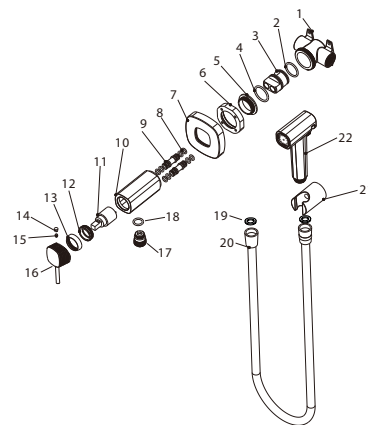
IMEX PRODUCTS, S.L. will decide to repair the product or replace it. It will be necessary to present the purchase invoice.

Assembly, maintenance or repairs carried out by non-specialists are excluded from the warranty.

Wearing parts such as hoses, handles, seals, filters, aerators, etc. are not covered by the warranty.



PRODUCT INFORMATION SUMMARY

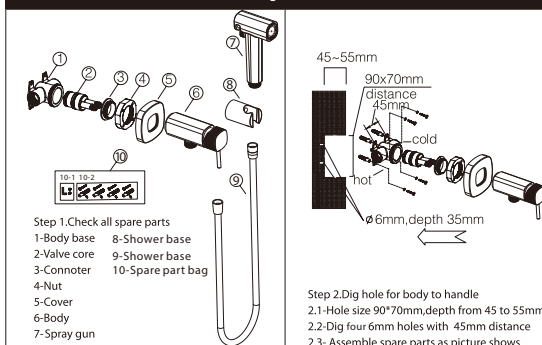


| Ref. | EAN | Finish |
|------------|---------------|-------------------|
| RDF065 | 8435668067980 | Chrome |
| RDF065/BGM | 8435668068000 | Black gun metal |
| RDF065/NG | 8435668067997 | Matte black |
| RDF065/ORC | 8435668068024 | Brushed rose gold |
| RDF065/OC | 8435668068017 | Brushed gold |
| RDF065/NQ | 8435668068031 | Brushed nickel |

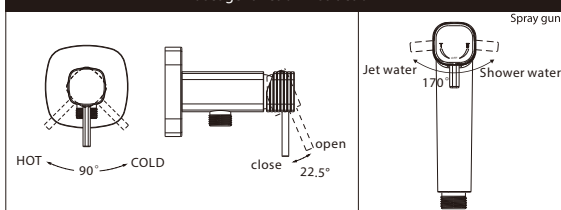
| CODE | NAME | MATERIAL | REF |
|------|---------------|----------------|---------|
| 1 | Body | Brass | |
| 2 | O-ring | NBR | |
| 3 | Connect | Brass | |
| 4 | O-ring | NBR | |
| 5 | Connect | Brass | |
| 6 | Nut | Brass | |
| 7 | Cover | SUS304 | |
| 8 | O-ring | NBR | |
| 9 | Hose | Brass | |
| 10 | Body | Brass | |
| 11 | Cartridge | 25mm | CR1018* |
| 12 | Nut | Brass | |
| 13 | Cover | ABS | |
| 14 | Button | ABS | |
| 15 | Screw | SUS304 / 4*4mm | |
| 16 | Handle | Brass | |
| 17 | Connect | Brass | |
| 18 | O-ring | NBR | |
| 19 | Rubber washer | NBR | |
| 20 | Hose | SUS 304/PVC | FLX008* |
| 21 | Shower base | ABS | SMD001 |
| 22 | Spray gun | SUS 304 | |

* CONSULTAR PARA ACABADOS DE COLOR

Installing instruction



Usage function instruction



FIRENZE

Series

IMEX
BATH EQUIPMENTS

FIRENZE

Series

IMEX
BATH EQUIPMENTS

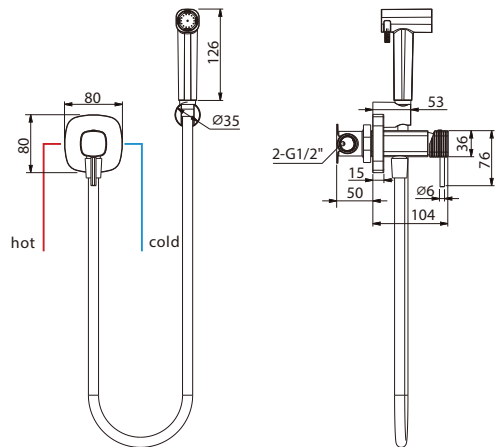
FIRENZE

Series

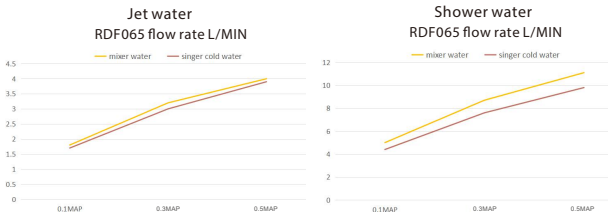
IMEX
BATH EQUIPMENTS

FLOW RATE

| Details | |
|--|--------|
| FLOW RATE REF | RDF065 |
| Jet water mixer water 0.1Mpa(L/MIN) | 1.8 |
| Jet water mixer water 0.3Mpa(L/MIN) | 3.2 |
| Jet water mixer water 0.5Mpa(L/MIN) | 4 |
| Jet water singer cold water 0.1Mpa(L/MIN) | 1.7 |
| Jet water singer cold water 0.3Mpa(L/MIN) | 3 |
| Jet water singer cold water 0.5Mpa(L/MIN) | 3.9 |
| Shower water mixer water 0.1Mpa(L/MIN) | 5 |
| Shower water mixer water 0.3Mpa(L/MIN) | 8.7 |
| Shower water mixer water 0.5Mpa(L/MIN) | 11.1 |
| Shower water singer cold water 0.1Mpa(L/MIN) | 4.4 |
| Shower water singer cold water 0.3Mpa(L/MIN) | 7.6 |
| Shower water singer cold water 0.5Mpa(L/MIN) | 9.8 |



| | |
|-------------------------|---------------------|
| Product sizes (cm) | 19.5*13*15 |
| Weight (kg) | 1.7 |
| Guarantee | 5 years |
| Max Preassure (bar) | 5 |
| Min Preassure (bar) | 0.5 |
| Optimum preassure (bar) | 1-4 (Recommended 3) |
| Max. temperature | 85°C |
| Min temperature | 65°C |



CERTIFIES

That all our products, provided that they are used in normal conditions or installed in accordance with current standards, are guaranteed against any manufacturing defect for a period of five years, except for products purchased before January 1, 2020, which will have the mandatory coverage of 2 years from the date of invoice.

Requirements and exclusions

Failure to comply with the instructions for assembly, use and maintenance of our products on the packaging and in our catalogue and published on our website: www.imexproducts.es, releases IMEX PRODUCTS, S.L. from any liability.

In any case, the acceptance of the defect by our technical department is necessary. In addition, transport costs will be charged only in the event that on IMEX PRODUCTS, S.L. technician determines the proper functioning of our products.

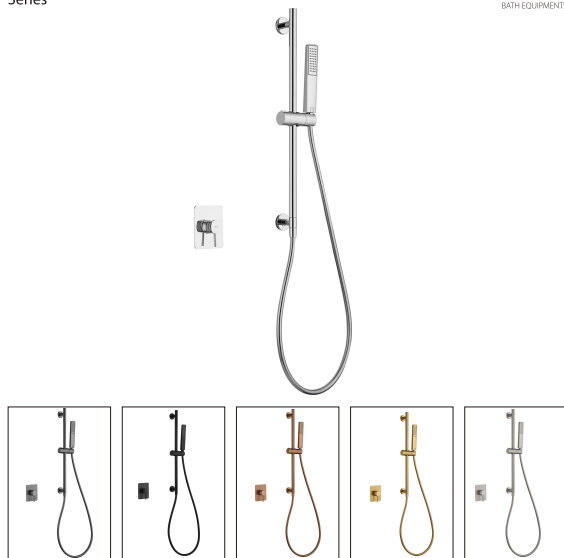
IMEX PRODUCTS, S.L. will decide to repair the product or replace it. It will be necessary to present the purchase invoice.

Assembly, maintenance or repairs carried out by non-specialists are excluded from the warranty.

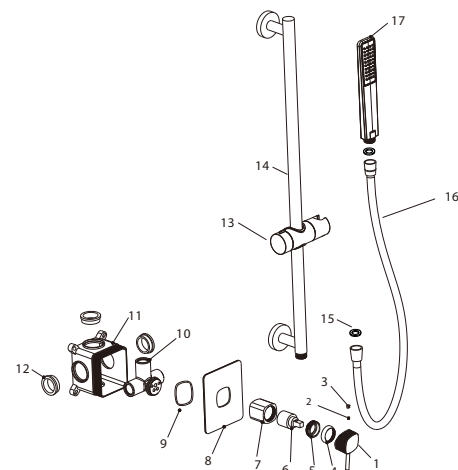
Wearing parts such as hoses, handles, seals, filters, aerators, etc. are not covered by the warranty.



PRODUCT INFORMATION SUMMARY

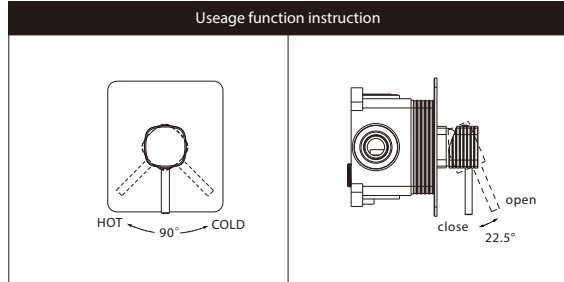
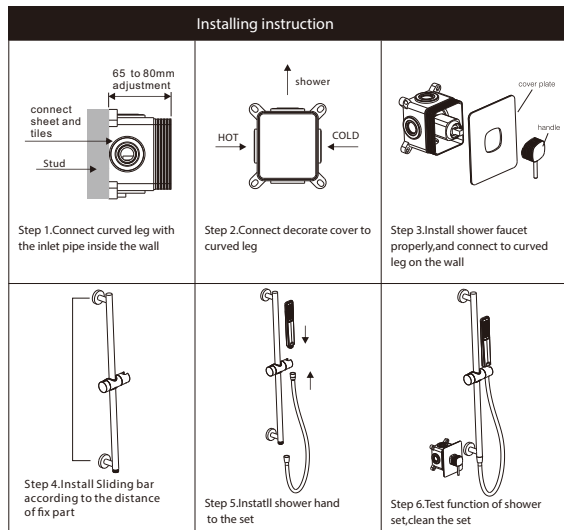


| Ref. | EAN | Finish |
|------------|---------------|-------------------|
| SMF065 | 8435668067867 | Chrome |
| SMF065/BGM | 8435668067881 | Black gun metal |
| SMF065/NG | 8435668067874 | Matte black |
| SMF065/ORC | 8435668067904 | Brushed rose gold |
| SMF065/OC | 8435668067898 | Brushed gold |
| SMF065/NQ | 8435668067911 | Brushed nickel |



| CODE | NAME | MATERIAL | REF |
|------|------------------|----------------|---------|
| 1 | Handle | Brass | |
| 2 | Screw | SUS304 / 4#4mm | |
| 3 | Button | ABS | |
| 4 | Cover | Brass | |
| 5 | Nut | Brass | |
| 6 | Cartridge | 28mm | |
| 7 | Cartridge cover | Brass | |
| 8 | Decorative plate | SUS 304 | |
| 9 | O-ring | NBR | |
| 10 | Body | Brass | |
| 11 | Connector | Brass | |
| 12 | Rubber ring | NBR | |
| 13 | Slider | ABS | |
| 14 | Sliding bar | SUS 304 | |
| 15 | Rubber washer | NBR | |
| 16 | Hose | PVC | FLX002* |
| 17 | Shower hand | ABS | MDH013* |

* CONSULTAR PARA ACABADOS DE COLOR



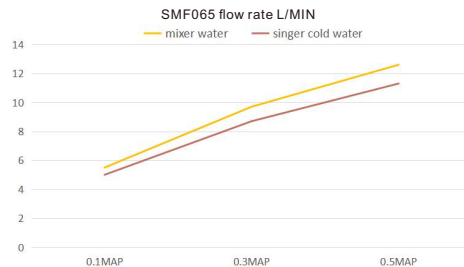
FIRENZE

Series

IMEX
BATH EQUIPMENTS

FLOW RATE

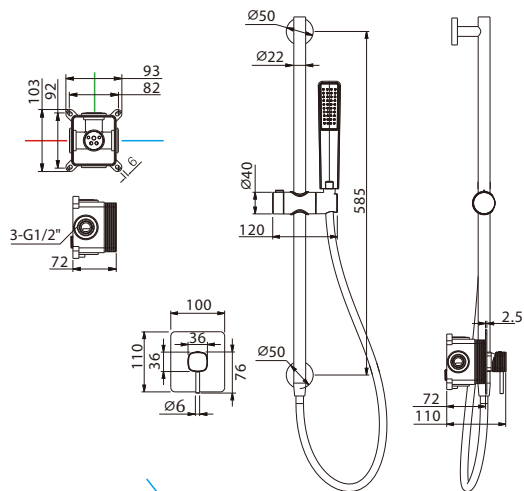
| Detalles | |
|------------------------------------|--------|
| FLOW RATE REF | SMF065 |
| mixer water 0.1Mpa(L/MIN) | 5.5 |
| mixer water 0.3Mpa(L/MIN) | 9.7 |
| mixer water 0.5Mpa(L/MIN) | 12.6 |
| singer cold water 0.1Mpa(L/MIN) | 5 |
| singer cold water 0.3Mpa(L/MIN) | 8.7 |
| singer cold water 0.5Mpa(L/MIN) | 11.3 |



FIRENZE

Series

IMEX
BATH EQUIPMENTS



| | |
|-------------------------|---------------------|
| Product sizes (cm) | 43*30*14 |
| Weight (kg) | 4.8 |
| Guarantee | 5 years |
| Max Preassure (bar) | 5 |
| Min Preassure (bar) | 0.5 |
| Optimum preassure (bar) | 1-4 (Recommended 3) |
| Max. temperature | 85°C |
| Min temperature | 65°C |

FIRENZE

Series

IMEX
BATH EQUIPMENTS

CERTIFIES

That all our products, provided that they are used in normal conditions or installed in accordance with current standards, are guaranteed against any manufacturing defect for a period of five years, except for products purchased before January 1, 2020, which will have the mandatory coverage of 2 years from the date of invoice.

Requirements and exclusions

Failure to comply with the instructions for assembly, use and maintenance of our products on the packaging and in our catalogue and published on our website: www.imexproducts.es, releases IMEX PRODUCTS, S.L. from any liability.

In any case, the acceptance of the defect by our technical department is necessary. In addition, transport costs will be charged only in the event that on IMEX PRODUCTS, S.L. technician determines the proper functioning of our products.

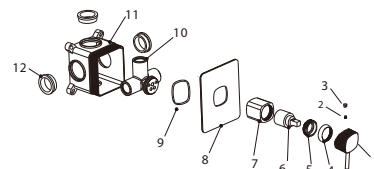
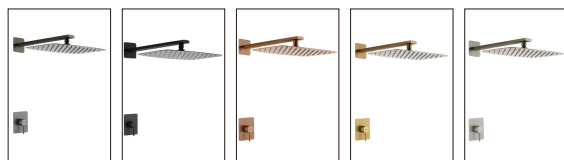
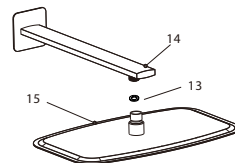
IMEX PRODUCTS, S.L. will decide to repair the product or replace it. It will be necessary to present the purchase invoice.

Assembly, maintenance or repairs carried out by non-specialists are excluded from the warranty.

Wearing parts such as hoses, handles, seals, filters, aerators, etc. are not covered by the warranty.



PRODUCT INFORMATION SUMMARY



| Ref. | EAN | Finish |
|------------|---------------|-------------------|
| SRF065 | 8435668067867 | Chrome |
| SRF065/BGM | 8435668067881 | Black gun metal |
| SRF065/NG | 8435668067874 | Matte black |
| SRF065/ORC | 8435668067904 | Brushed rose gold |
| SRF065/OC | 8435668067898 | Brushed gold |
| SRF065/NQ | 8435668067911 | Brushed nickel |

| CODE | NAME | MATERIAL | REF |
|------|------------------|----------------|---------|
| 1 | Handle | Brass | |
| 2 | Screw | SUS304 / 4*4mm | |
| 3 | Button | ABS | |
| 4 | Cover | Brass | |
| 5 | Nut | Brass | |
| 6 | Cartridge | 28mm | |
| 7 | Cartridge cover | Brass | |
| 8 | Decorative plate | SUS 304 | |
| 9 | O-ring | NBR | |
| 10 | Body | Brass | |
| 11 | Connector | Brass | |
| 12 | Rubber ring | NBR | |
| 13 | Rubber washer | NBR | |
| 14 | Shower head | SUS 304 | RDR002* |
| 15 | Hose | SUS 304 | BPC005* |

* CONSULTAR PARA ACABADOS DE COLOR

Installing instruction

Step 1. Connect curved leg with the inlet pipe inside the wall

Step 2. Connect decorative cover to curved leg

Step 3. Install shower faucet properly, and connect to curved leg on the wall

Step 4. Install shower pipe according to the distance of fix part

Step 5. Install the shower head to the set

Step 6. Test function of shower set, clean the set

Usage function instruction

HOT 90° COLD

close 22.5° open

FIRENZE

Series



FIRENZE

Series



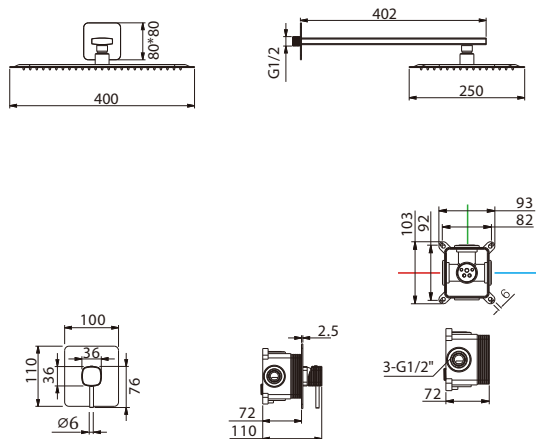
FIRENZE

Series



FLOW RATE

| Detalles | |
|------------------------------------|--------|
| FLOW RATE REF | SRF065 |
| mixer water 0.1Mpa(L/MIN) | 7 |
| mixer water 0.3Mpa(L/MIN) | 12.4 |
| mixer water 0.5Mpa(L/MIN) | 15.1 |
| singer cold water 0.1Mpa(L/MIN) | 5.9 |
| singer cold water 0.3Mpa(L/MIN) | 10.5 |
| singer cold water 0.5Mpa(L/MIN) | 13.3 |



CERTIFIES

That all our products, provided that they are used in normal conditions or installed in accordance with current standards, are guaranteed against any manufacturing defect for a period of five years, except for products purchased before January 1, 2020, which will have the mandatory coverage of 2 years from the date of invoice.

Requirements and exclusions

Failure to comply with the instructions for assembly, use and maintenance of our products on the packaging and in our catalogue and published on our website: www.imexproducts.es, releases IMEX PRODUCTS, S.L. from any liability.

In any case, the acceptance of the defect by our technical department is necessary. In addition, transport costs will be charged only in the event that on IMEX PRODUCTS, S.L. technician determines the proper functioning of our products.

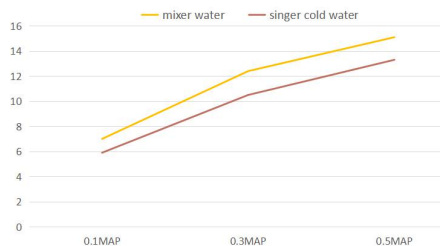
IMEX PRODUCTS, S.L. will decide to repair the product or replace it. It will be necessary to present the purchase invoice.

Assembly, maintenance or repairs carried out by non-specialists are excluded from the warranty.

Wearing parts such as hoses, handles, seals, filters, aerators, etc. are not covered by the warranty.



SRF065 flow rate L/MIN

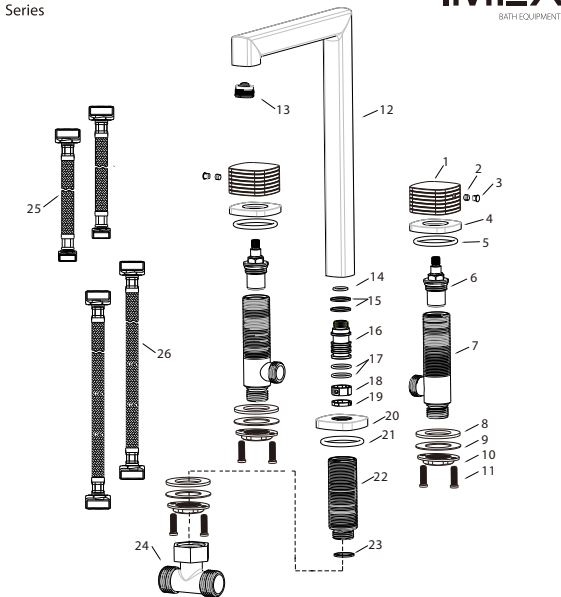


| | |
|------------------------|---------------------|
| Product sizes (cm) | 43*30*14 |
| Weight (kg) | 4.8 |
| Guarantee | 5 years |
| Max Pressure (bar) | 5 |
| Min Pressure (bar) | 0.5 |
| Optimum pressure (bar) | 1-4 (Recommended 3) |
| Max. temperature | 85°C |
| Min temperature | 65°C |

PRODUCT INFORMATION SUMMARY



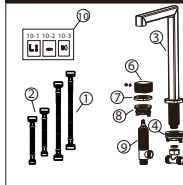
| Ref. | EAN | Finish |
|------------|---------------|-------------------|
| BAF065 | 8435668068796 | Chrome |
| BAF065/BGM | 8435668068819 | Black gun metal |
| BAF065/NG | 8435668068802 | Matte black |
| BAF065/ORC | 8435668068833 | Brushed rose gold |
| BAF065/OC | 8435668068826 | Brushed gold |
| BAF065/NQ | 8435668068840 | Brushed nickel |



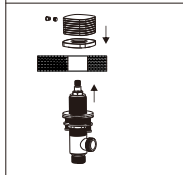
| CODE | NAME | MATERIAL | REF | CODE | NAME | MATERIAL | REF |
|------|--------------|---------------|-----|------|-----------------|---|-----|
| 1 | Handle | Brass | | 16 | Connect | Brass | |
| 2 | Screw | SUS304 | | 17 | O-ring | NBR | |
| 3 | Button | ABS | | 18 | Washer | Pom | |
| 4 | Base | Brass | | 19 | Washer | Pom | |
| 5 | O-ring | NBR | | 20 | Base | Brass | |
| 6 | Cartridge | 21mm | | 21 | O-ring | NBR | |
| 7 | Body | Brass | | 22 | Connect | Brass | |
| 8 | Washer | NBR | | 23 | Rubber washer | NBR | |
| 9 | Metal washer | SUS 304 | | 24 | Tee fitting | Brass | |
| 10 | Nut | Brass | | | | | |
| 11 | Screw | SUS 304 | | 25 | Connecting Pipe | TAQ-PEX DN6-ACB G1/2-G1/2 L13-150 | |
| 12 | Outlet pipe | Brass | | 26 | Connecting Pipe | TAQ-PEX DN6-ACB H3/8-G1/2 L13-500-#8B | |
| 13 | Aerator | ABS/M18.5x1mm | | | | | |
| 14 | O-ring | NBR | | | | | |
| 15 | Washer | Pom | | | | | |

* CONSULTAR PARA ACABADOS DE COLOR

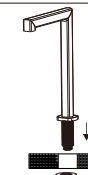
Installing instruction



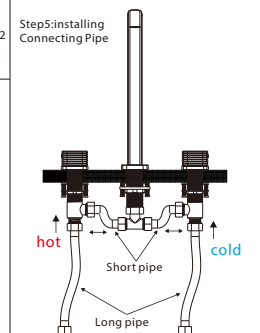
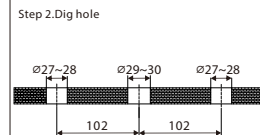
- Step 1. Check all spare parts
- 1-Long pipe*2
 - 2-Short pipe*2
 - 3-Outlet pipe
 - 4-M28*1.5-Nut Assembly
 - 5-Tee fitting
 - 6-handle*2
 - 7-base*2
 - 8-M26*1.5-Nut Assembly*2
 - 9-body*2
 - 10-spare part bag



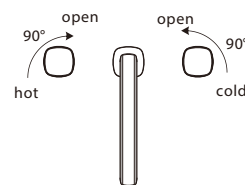
- Step3:installing handles
- 1-Remove the base
 - 2-Install the main body and the base on the tabletop.
 - 3-Install handle



- Step4:installing Outlet pipe and Tee fitting
- 1-Remove the base
 - 2-Install the main body and the base on the tabletop.
 - 3-Install handle



Usage function instruction



FIRENZE

Series



FIRENZE

Series



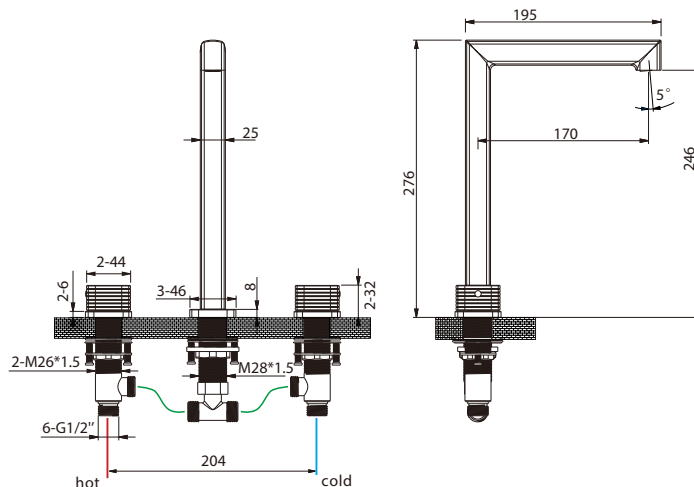
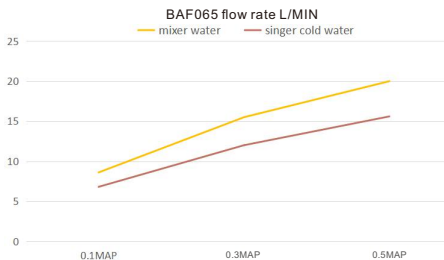
FIRENZE

Series



FLOW RATE

| Detalles | |
|------------------------------------|--------|
| FLOW RATE REF | BAF065 |
| mixer water 0.1Mpa(L/MIN) | 8.6 |
| mixer water 0.3Mpa(L/MIN) | 15.5 |
| mixer water 0.5Mpa(L/MIN) | 20 |
| singer cold water 0.1Mpa(L/MIN) | 6.8 |
| singer cold water 0.3Mpa(L/MIN) | 12 |
| singer cold water 0.5Mpa(L/MIN) | 15.6 |



| | |
|-------------------------|---------------------|
| Product sizes (cm) | 29*17.5*6.7 |
| Weight (kg) | 1.1 |
| Guarantee | 5 years |
| Max Preassure (bar) | 5 |
| Min Preassure (bar) | 0.5 |
| Optimum preassure (bar) | 1-4 (Recommended 3) |
| Max. temperature | 85°C |
| Min temperature | 65°C |

CERTIFIES

That all our products, provided that they are used in normal conditions or installed in accordance with current standards, are guaranteed against any manufacturing defect for a period of five years, except for products purchased before January 1, 2020, which will have the mandatory coverage of 2 years from the date of invoice.

Requirements and exclusions

Failure to comply with the instructions for assembly, use and maintenance of our products on the packaging and in our catalogue and published on our website: www.imexproducts.es, releases IMEX PRODUCTS, S.L. from any liability.

In any case, the acceptance of the defect by our technical department is necessary. In addition, transport costs will be charged only in the event that on IMEX PRODUCTS, S.L. technician determines the proper functioning of our products.

IMEX PRODUCTS, S.L. will decide to repair the product or replace it. It will be necessary to present the purchase invoice.

Assembly, maintenance or repairs carried out by non-specialists are excluded from the warranty.

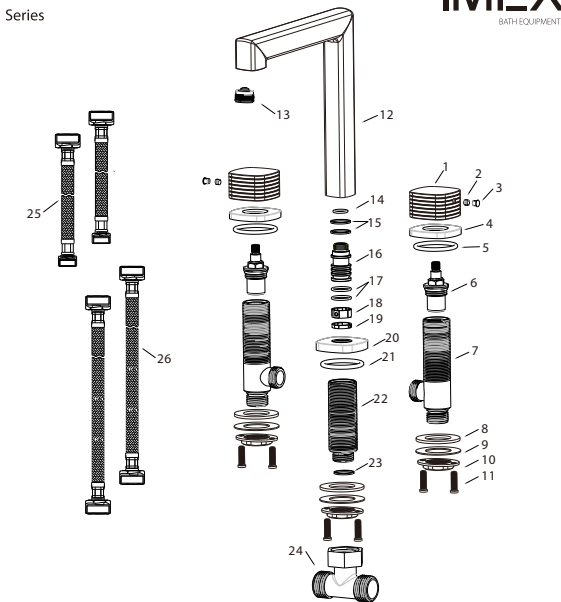
Wearing parts such as hoses, handles, seals, filters, aerators, etc. are not covered by the warranty.



PRODUCT INFORMATION SUMMARY



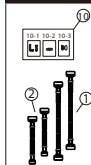
| Ref. | EAN | Finish |
|------------|---------------|-------------------|
| BBF065 | 8435668068734 | Chrome |
| BBF065/BGM | 8435668068758 | Black gun metal |
| BBF065/NG | 8435668068741 | Matte black |
| BBF065/ORC | 8435668068772 | Brushed rose gold |
| BBF065/OC | 8435668068765 | Brushed gold |
| BBF065/NQ | 8435668068789 | Brushed nickel |



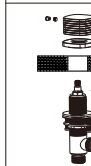
| CODE | NAME | MATERIAL | REF | CODE | NAME | MATERIAL | REF |
|------|--------------|---------------|-----|------|-----------------|---|-----|
| 1 | Handle | Brass | | 16 | Connect | Brass | |
| 2 | Screw | SUS304 | | 17 | O-ring | NBR | |
| 3 | Button | ABS | | 18 | Washer | Pom | |
| 4 | Base | Brass | | 19 | Washer | Pom | |
| 5 | O-ring | NBR | | 20 | Base | Brass | |
| 6 | Cartridge | 21mm | | 21 | O-ring | NBR | |
| 7 | Body | Brass | | 22 | Connect | Brass | |
| 8 | Washer | NBR | | 23 | Rubber washer | NBR | |
| 9 | Metal washer | SUS 304 | | 24 | Tee fitting | Brass | |
| 10 | Nut | Brass | | | | | |
| 11 | Screw | SUS 304 | | 25 | Connecting Pipe | TAQ/PEX DN6-ACB GI/2-GI/2 L13-150 | |
| 12 | Outlet pipe | Brass | | 26 | Connecting Pipe | TAQ/PEX DN6-ACB H3/8-GI/2 L13-500/HBB | |
| 13 | Aerator | ABS/M16.5x1mm | | | | | |
| 14 | O-ring | NBR | | | | | |
| 15 | Washer | Pom | | | | | |

* CONSULTAR PARA ACABADOS DE COLOR

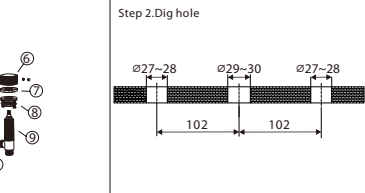
Installing instruction



- Step 1. Check all spare parts
- 1-Long pipe*2
 - 2-Short pipe*2
 - 3-Outlet pipe
 - 4-M28*1.5-Nut Assembly
 - 5-Tee fitting
 - 6-handle*2
 - 7-base*2
 - 8-M26*1.5-Nut Assembly*2
 - 9-body*2
 - 10-spare part bag

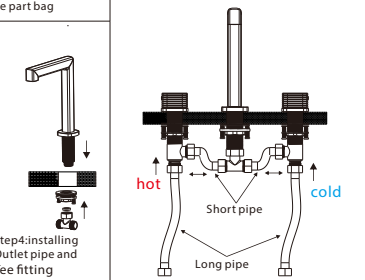


- Step3:installing handles
- 1-Remove the base
 - 2-Install the main body and the base on the tabletop.
 - 3-Install handle

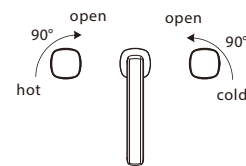


Step 2.Dig hole

Step5:installing Connecting Pipe



Usage function instruction



FIRENZE

Series



FIRENZE

Series



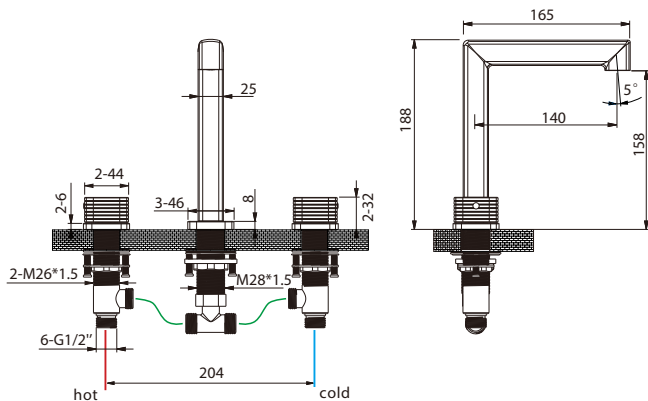
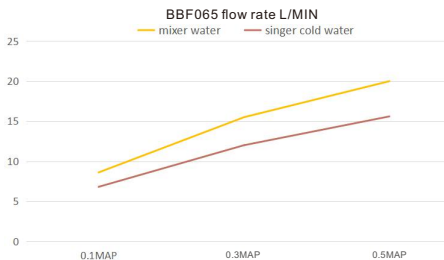
FIRENZE

Series



FLOW RATE

| Detalles | |
|------------------------------------|--------|
| FLOW RATE REF | BBF065 |
| mixer water 0.1Mpa(L/MIN) | 8.6 |
| mixer water 0.3Mpa(L/MIN) | 15.5 |
| mixer water 0.5Mpa(L/MIN) | 20 |
| singer cold water 0.1Mpa(L/MIN) | 6.8 |
| singer cold water 0.3Mpa(L/MIN) | 12 |
| singer cold water 0.5Mpa(L/MIN) | 15.6 |



| | |
|------------------------|---------------------|
| Product sizes (cm) | 29*17.5*6.7 |
| Weight (kg) | 1.1 |
| Guarantee | 5 years |
| Max Preasure (bar) | 5 |
| Min Preasure (bar) | 0.5 |
| Optimum preasure (bar) | 1-4 (Recommended 3) |
| Max. temperature | 85°C |
| Min temperature | 65°C |

CERTIFIES

That all our products, provided that they are used in normal conditions or installed in accordance with current standards, are guaranteed against any manufacturing defect for a period of five years, except for products purchased before January 1, 2020, which will have the mandatory coverage of 2 years from the date of invoice.

Requirements and exclusions

Failure to comply with the instructions for assembly, use and maintenance of our products on the packaging and in our catalogue and published on our website: www.imexproducts.es, releases IMEX PRODUCTS, S.L. from any liability.

In any case, the acceptance of the defect by our technical department is necessary. In addition, transport costs will be charged only in the event that on IMEX PRODUCTS, S.L. technician determines the proper functioning of our products.

IMEX PRODUCTS, S.L. will decide to repair the product or replace it. It will be necessary to present the purchase invoice.

Assembly, maintenance or repairs carried out by non-specialists are excluded from the warranty.

Wearing parts such as hoses, handles, seals, filters, aerators, etc. are not covered by the warranty.

