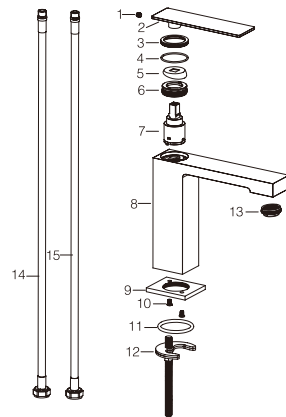


PRODUCT INFORMATION SUMMARY



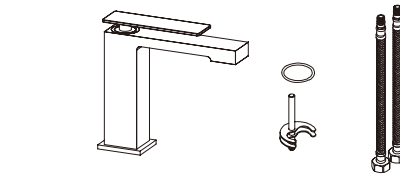
Ref.	EAN	Finish
BDP048-1	8435668033459	Chrome
BDP048-1BGM	8435668033466	Black gun metal
BDP048-1OC	8435668033480	Brushed gold
BDP048-1ORC	8435668033497	Brushed rose gold



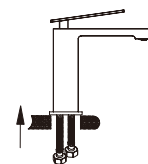
CODE	NAME	MATERIAL	REF
1	Screw	SUS 304	
2	Handle	Zinc	
3	Decorative ring	Brass	
4	O-ring	NBR	
5	Decorative cap	Brass	
6	Nut	Brass	
7	Cartridge	26mm up	CRT007*
8	Body	Brass	
9	Base	Brass	
10	Screw	SUS 304	
11	O-ring	NBR	
12	Single hole fixation sets	SUS 304	
13	Aerator	M24x1mm	SAT-AIRO19*
14	Connecting Pipe	TAQ-PEX-DN6-ACB H3/8-M10X1 L12-500-R&B	SAT-HOSES7*

* CONSULTAR PARA ACABADOS DE COLOR

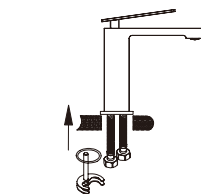
Installing instruction



Step 1. Check all spare parts ready

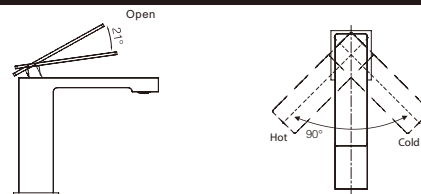


Step 2. Install inlet pipe to faucet body



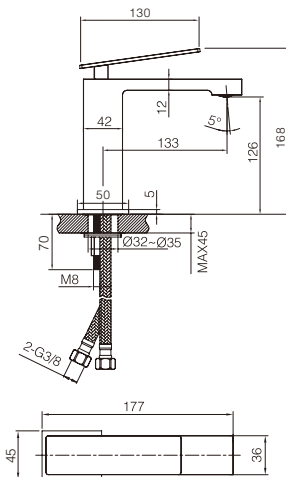
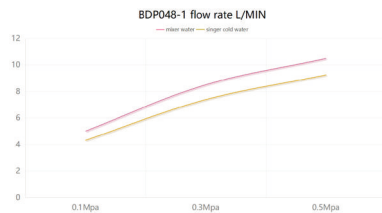
Step 3. Install screw stick to faucet body

Usage function instruction



FLOW RATE

Detalles	
FLOW RATE REF	BDP048-1
mixer water 0.1Mpa(L/MIN)	5
mixer water 0.3Mpa(L/MIN)	8.5
mixer water 0.5Mpa(L/MIN)	10.48
singer cold water 0.1Mpa(L/MIN)	4.31
singer cold water 0.3Mpa(L/MIN)	7.38
singer cold water 0.5Mpa(L/MIN)	9.24



Product sizes (cm)	30*21*5.9
Weight (kg)	1.35
Guarantee	5 years
Max Preasure (bar)	5
Min Preasure (bar)	0.5
Optimum preasure (bar)	1-4 (Recommended 3)
Max. temperature	85°C
Min temperature	65°C

CERTIFIES

That all our products, provided that they are used in normal conditions or installed in accordance with current standards, are guaranteed against any manufacturing defect for a period of five years, except for products purchased before January 1, 2020, which will have the mandatory coverage of 2 years from the date of invoice.

Requirements and exclusions

Failure to comply with the instructions for assembly, use and maintenance of our products on the packaging and in our catalogue and published on our website: www.imexproducts.es, releases IMEX PRODUCTS, S.L. from any liability.

In any case, the acceptance of the defect by our technical department is necessary. In addition, transport costs will be charged only in the event that on IMEX PRODUCTS, S.L. technician determines the proper functioning of our products.

IMEX PRODUCTS, S.L. will decide to repair the product or replace it. It will be necessary to present the purchase invoice.

Assembly, maintenance or repairs carried out by non-specoalists re excluded from the warranty.

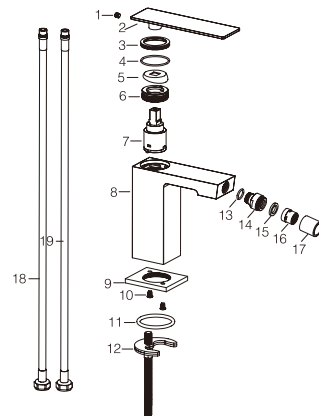
Wearing parts such as hoses, handles, seals, filters, aerators, etc. are not covered by the warranty.



PRODUCT INFORMATION SUMMARY



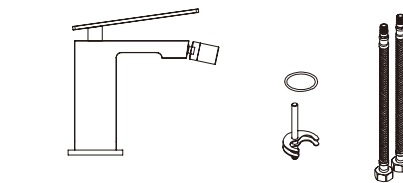
Ref.	EAN	Finish
BDP048-2	8435668033503	Chrome
BDP048-2BGM	8435668033510	Black gun metal
BDP048-2OC	8435668033534	Brushed gold
BDP048-2ORC	8435668033541	Brushed rose gold



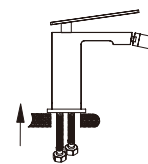
CODE	NAME	MATERIAL	REF
1	Screw	SUS 304	
2	Handle	Zinc	
3	Decorative ring	Brass	
4	O-ring	NBR	
5	Decorative cap	Brass	
6	Nut	Brass	
7	Cartridge	26mm up	CRT007*
8	Body	Brass	
9	Base	Brass	
10	Screw	SUS 304	
11	O-ring	NBR	
12	Single hole fixation sets	SUS 304	
13	Spout gasket	NBR	
14	Spout	Brass	
15	Gasket	NBR	
16	Aerator	ABS 116mm	SAT-AIR032*
17	Reticulated shell	Brass	
18	Connecting Pipe	TAQ-PEX-DN6-ACB H3/8-M10X1 L12-500-R&B	SAT-HOSES7*

* CONSULTAR PARA ACABADOS DE COLOR

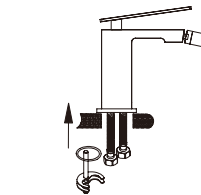
Installing instruction



Step 1. Check all spare parts ready

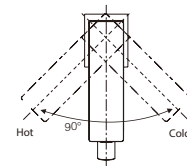
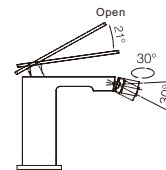


Step 2. Install inlet pipe to faucet body



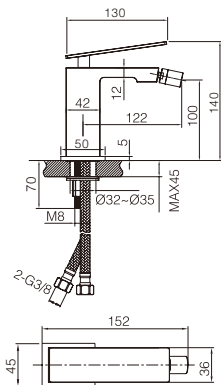
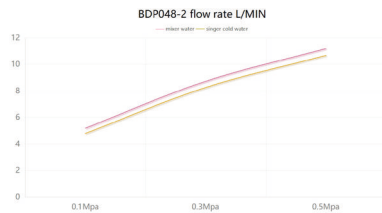
Step 3. Install screw stick to faucet body

Usage function instruction



FLOW RATE

Detalles	
FLOW RATE REF	BDP048-2
mixer water 0.1Mpa(L/MIN)	5.17
mixer water 0.3Mpa(L/MIN)	8.71
mixer water 0.5Mpa(L/MIN)	11.19
singer cold water 0.1Mpa(L/MIN)	4.77
singer cold water 0.3Mpa(L/MIN)	8.24
singer cold water 0.5Mpa(L/MIN)	10.67



Product sizes (cm)	26.7*18.1*5.9
Weight (kg)	1.2
Guarantee	5 years
Max Preasure (bar)	5
Min Preasure (bar)	0.5
Optimum preasure (bar)	1-4 (Recommended 3)
Max. temperature	85°C
Min temperature	65°C

CERTIFIES

That all our products, provided that they are used in normal conditions or installed in accordance with current standards, are guaranteed against any manufacturing defect for a period of five years, except for products purchased before January 1, 2020, which will have the mandatory coverage of 2 years from the date of invoice.

Requirements and exclusions

Failure to comply with the instructions for assembly, use and maintenance of our products on the packaging and in our catalogue and published on our website: www.imexproducts.es, releases IMEX PRODUCTS, S.L. from any liability.

In any case, the acceptance of the defect by our technical department is necessary. In addition, transport costs will be charged only in the event that on IMEX PRODUCTS, S.L. technician determines the proper functioning of our products.

IMEX PRODUCTS, S.L. will decide to repair the product or replace it. It will be necessary to present the purchase invoice.

Assembly, maintenance or repairs carried out by non-specoalists re excluded from the warranty.

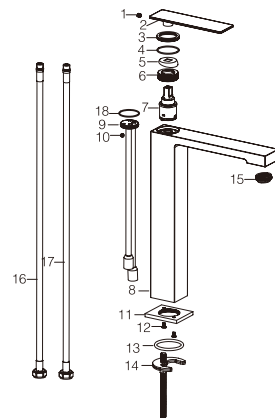
Wearing parts such as hoses, handles, seals, filters, aerators, etc. are not covered by the warranty.



**PRODUCT
INFORMATION
SUMMARY**



Ref.	EAN	Finish
BDP048-3	8435668033558	Chrome
BDP048-3BGM	8435668033565	Black gun metal
BDP048-3OC	8435668033589	Brushed gold
BDP048-3ORC	8435668033596	Brushed rose gold

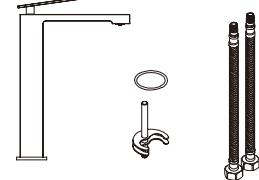


CODE	NAME	MATERIAL	REF
1	Screw	SUS 304	
2	Handle	Zinc	
3	Decorative ring	Brass	
4	O-ring	NBR	
5	Decorative cap	Brass	
6	Nut	Brass	
7	Cartridge	26mm up	CRT007*
8	Body	Brass	
9	Core print seat	Brass	
10	Screw	SUS 304	
11	Base	Brass	
12	Screw	SUS 304	
13	O-ring	NBR	
14	Single hole fixation sets	SUS 304	
15	Aerator	M24x1mm	SAT-AIR019*
16	Connecting Pipe	TAQ-PEX-DN6-ACB H3/8-M10X1 L12-500-R&B	SAT-HOSES7*

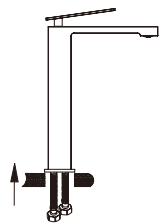
* CONSULTAR PARA ACABADOS DE COLOR

Installing instruction

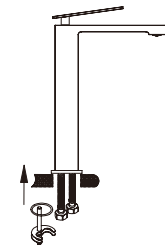
Step 1. Check all spare parts ready



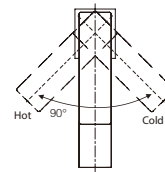
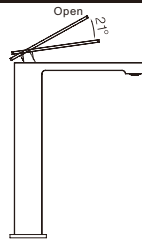
Step 2. Install inlet pipe to faucet body



Step 3. Install screw stick to faucet body

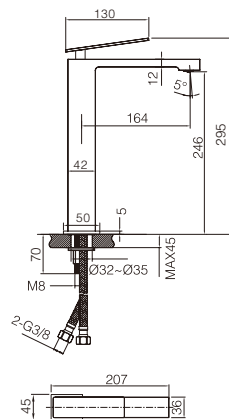
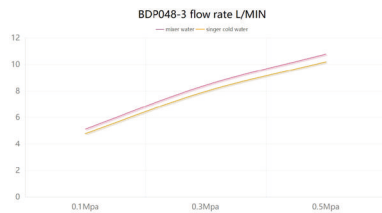


Usage function instruction



FLOW RATE

Detalles	
FLOW RATE REF	BDP048-3
mixer water 0.1Mpa(L/MIN)	5.12
mixer water 0.3Mpa(L/MIN)	8.43
mixer water 0.5Mpa(L/MIN)	10.78
singer cold water 0.1Mpa(L/MIN)	4.78
singer cold water 0.3Mpa(L/MIN)	7.96
singer cold water 0.5Mpa(L/MIN)	10.2



Product sizes (cm)	39*21*5.9
Weight (kg)	1.9
Guarantee	5 years
Max Preasure (bar)	5
Min Preasure (bar)	0.5
Optimum preasure (bar)	1-4 (Recommended 3)
Max. temperature	85°C
Min temperature	65°C

CERTIFIES

That all our products, provided that they are used in normal conditions or installed in accordance with current standards, are guaranteed against any manufacturing defect for a period of five years, except for products purchased before January 1, 2020, which will have the mand atory coverage of 2 years from the date of invoice.

Requirements and exclusions

Failure to comply with the instructions for assembly, use and maintenance of our products on the packaging and in our catalogue and published on our website: www.imexproducts.es, releases IMEX PRODUCTS, S.L. from any liability.

In any case, the acceptance of the defect by our technical department is necessary. In addition, transport costs will be charged only in the event that on IMEX PRODUCTS, S.L. technician determines the proper functioning of our products.

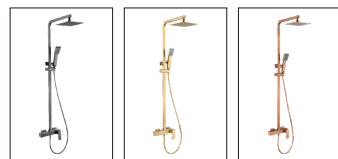
IMEX PRODUCTS, S.L. will decide to repair the product or replace it. It will be necessary to present the purchase invoice.

Assembly, maintenance or repairs carried out by non-specoalists re excluded from the warranty.

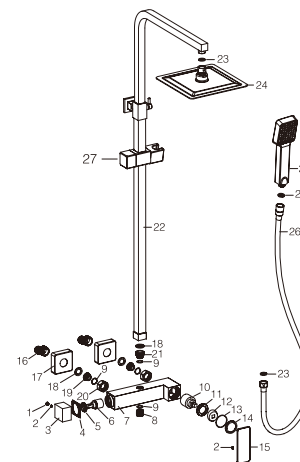
Wearing parts such as hoses, handles, seals, filters, aerators, etc. are not covered by the warranty.



PRODUCT INFORMATION SUMMARY



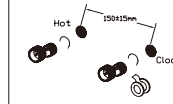
Ref.	EAN	Finish
BDP048	8435668033404	Chrome
BDP048/BGM	8435668033411	Black gun metal
BDP048/OC	8435668033435	Brushed gold
BDP048/ORC	8435668033442	Brushed rose gold



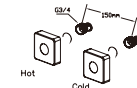
CODE	NAME	MATERIAL	REF	CODE	NAME	MATERIAL	REF
1	Button	ABS		20	Nut	Brass	
2	Screw	SUS 304		21	Connect	Brass	
3	Handle	Zinc		22	Pipe	SUS 304	RR0013*
4	Plastic washer	Plastic		23	Rubber ring	NBR	
5	Nut	Brass		24	Shower head	SUS 304	RDC001*
6	Cartridge	25mm up		25	Hand	ABS	MDL001*
7	Body	Brass		26	Hose	SUS 304	FLX001*
8	Connect	Brass		27	Shower seat	ABS	RR0014*
9	O-ring	NBR					
10	Cartridge	35mm	CRT006*				
11	Nut	Brass					
12	Decorative cup	Brass					
13	O-ring	NBR					
14	Decorative ring	Brass					
15	Handle	Zinc					
16	Cabrio leg	SUS 304					
17	Cover	SUS 304					
18	Rubber ring	NBR					
19	Screw	SUS 304					

* CONSULTAR PARA ACABADOS DE COLOR

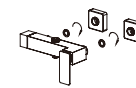
Installing instruction



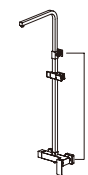
Step 1. Connect curved leg with the inlet pipe inside the wall



Step 2. Connect decorative cover to curved leg



Step 3. Install shower faucet properly and connect to curved leg on the wall



Step 4. Install shower pipe according to the distance of fix part

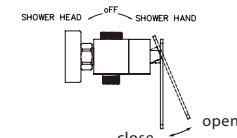
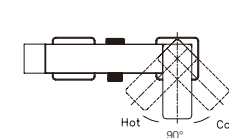


Step 5. Install shower hand and shower head to the set



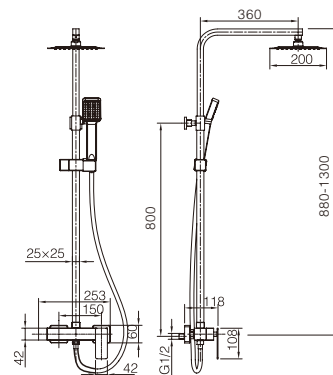
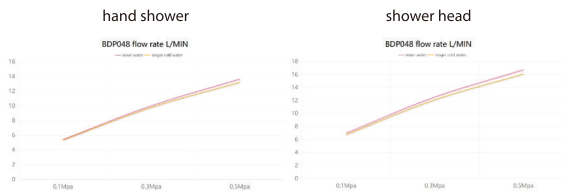
Step 6. Test function of shower set, clean the set

Usage function instruction



FLOW RATE

Detalles	
FLOW RATE REF	BDP048
hand shower mixer water 0.1Mpa(L/MIN)	5.43
hand shower mixer water 0.3Mpa(L/MIN)	10.02
hand shower mixer water 0.5Mpa(L/MIN)	13.65
hand shower singer cold water 0.1Mpa(L/MIN)	5.37
hand shower singer cold water 0.3Mpa(L/MIN)	9.79
hand shower singer cold water 0.5Mpa(L/MIN)	13.2
shower head mixer water 0.1Mpa(L/MIN)	6.99
shower head mixer water 0.3Mpa(L/MIN)	12.54
shower head mixer water 0.5Mpa(L/MIN)	16.74
shower head singer cold water 0.1Mpa(L/MIN)	6.75
shower head singer cold water 0.3Mpa(L/MIN)	12.1
shower head singer cold water 0.5Mpa(L/MIN)	16.09



Product sizes (cm)	42.5*13.3*90
Weight (kg)	5.9
Guarantee	5 years
Max Preassure (bar)	5
Min Preassure (bar)	0.5
Optimum preassure (bar)	1-4 (Recommended 3)
Max. temperature	85°C
Min temperature	65°C

CERTIFIES

That all our products, provided that they are used in normal conditions or installed in accordance with current standards, are guaranteed against any manufacturing defect for a period of five years, except for products purchased before January 1, 2020, which will have the mandatory coverage of 2 years from the date of invoice.

Requirements and exclusions

Failure to comply with the instructions for assembly, use and maintenance of our products on the packaging and in our catalogue and published on our website: www.imexproducts.es, releases IMEX PRODUCTS, S.L. from any liability.

In any case, the acceptance of the defect by our technical department is necessary. In addition, transport costs will be charged only in the event that on IMEX PRODUCTS, S.L. technician determines the proper functioning of our products.

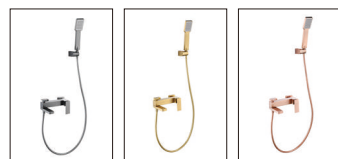
IMEX PRODUCTS, S.L. will decide to repair the product or replace it. It will be necessary to present the purchase invoice.

Assembly, maintenance or repairs carried out by non-specoalists re excluded from the warranty.

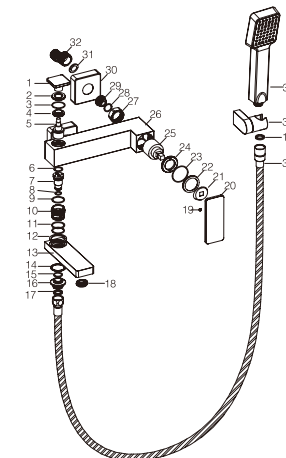
Wearing parts such as hoses, handles, seals, filters, aerators, etc. are not covered by the warranty.



PRODUCT INFORMATION SUMMARY



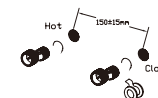
Ref.	EAN	Finish
BDP048-4	8435668033602	Chrome
BDP048-4BGM	8435668033619	Black gun metal
BDP048-4OC	8435668033633	Brushed gold
BDP048-4ORC	8435668033640	Brushed rose gold



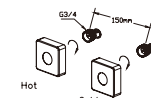
CODE	NAME	MATERIAL	REF	CODE	NAME	MATERIAL	REF
1	Handle	Brass		20	Handle	Zinc	
2	Cover	Brass		21	Cover	Brass	
3	O-ring	NBR		22	Decorative ring	Brass	
4	Nut	Brass		23	O-ring	NBR	
5	Cartridge	22mm		24	Nut	Brass	
6	O-ring	NBR		25	Cartridge	35mm	CRT007*
7	Connect	Brass		26	Boby	Brass	
8	O-ring	NBR		27	Nut	Brass	
9	O-ring	NBR		28	O-ring	NBR	
10	Connect	Brass		29	Screw	SUS 304	
11	O-ring	NBR		30	Cover	SUS 304	
12	Ring	Brass		31	Rbber	NBR	
13	Water outlet nozzle	Brass		32	Valve	SUS 304	
14	Ring	POM		33	Hose	SUS 304	FLX010*
15	O-ring	NBR		34	Shower seat	ABS	SMD007*
16	Connect	Brass		35	Shower hand	ABS	MDL001*
17	Ring	NBR					
18	Aerator	M24*1mm	SAT-AIR019*				
19	Screw	SUS 304					

* CONSULTAR PARA ACABADOS DE COLOR

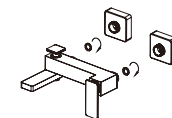
Installing instruction



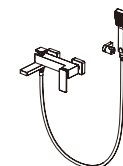
Step 1. Connect curved leg with the inlet pipe inside the wall



Step 2. Connect decorative cover to curved leg

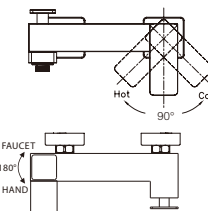


Step 3. Install shower faucet properly, and connect to curved leg on the wall

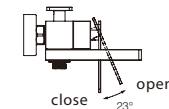


Step 4. Test function of shower set, clean the set

Usage function instruction



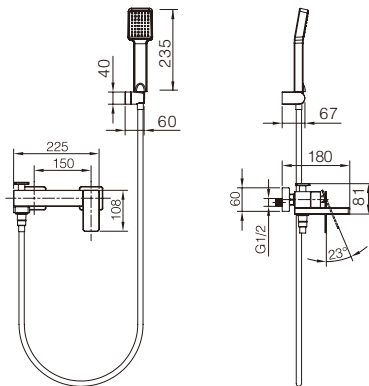
WATER FAUCET
180°
SHOWER HAND



close
23°
open
23°

FLOW RATE

Detalles	
FLOW RATE REF	BDP048-4
water outlet mixer water 0.1Mpa(L/MIN)	4.62
water outlet mixer water 0.3Mpa(L/MIN)	7.64
water outlet mixer water 0.5Mpa(L/MIN)	9.29
water outlet singer cold water 0.1Mpa(L/MIN)	4.56
water outlet singer cold water 0.3Mpa(L/MIN)	7.49
water outlet singer cold water 0.5Mpa(L/MIN)	9.28
hand shower mixer water 0.1Mpa(L/MIN)	6.1
hand shower mixer water 0.3Mpa(L/MIN)	11.17
hand shower mixer water 0.5Mpa(L/MIN)	14.98
hand shower singer cold water 0.1Mpa(L/MIN)	6.03
hand shower singer cold water 0.3Mpa(L/MIN)	10.96
hand shower singer cold water 0.5Mpa(L/MIN)	14.9



Product sizes (cm)	28*16*12.2
Weight (kg)	2.9
Guarantee	5 years
Max Preassure (bar)	5
Min Preassure (bar)	0.5
Optimum preassure (bar)	1-4 (Recommended 3)
Max. temperature	85°C
Min temperature	65°C

CERTIFIES

That all our products, provided that they are used in normal conditions or installed in accordance with current standards, are guaranteed against any manufacturing defect for a period of five years, except for products purchased before January 1, 2020, which will have the mandatory coverage of 2 years from the date of invoice.

Requirements and exclusions

Failure to comply with the instructions for assembly, use and maintenance of our products on the packaging and in our catalogue and published on our website: www.imexproducts.es, releases IMEX PRODUCTS, S.L. from any liability.

In any case, the acceptance of the defect by our technical department is necessary. In addition, transport costs will be charged only in the event that on IMEX PRODUCTS, S.L. technician determines the proper functioning of our products.

IMEX PRODUCTS, S.L. will decide to repair the product or replace it. It will be necessary to present the purchase invoice.

Assembly, maintenance or repairs carried out by non-specialists are excluded from the warranty.

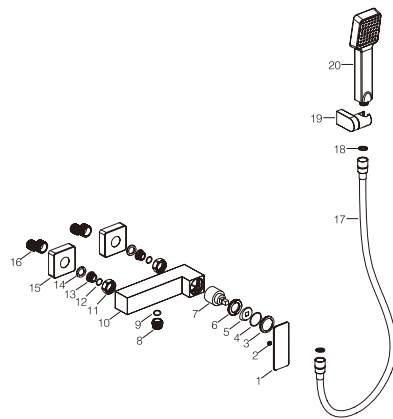
Wearing parts such as hoses, handles, seals, filters, aerators, etc. are not covered by the warranty.



**PRODUCT
INFORMATION
SUMMARY**



Ref.	EAN	Finish
BDP048-5	8435668033657	Chrome
BDP048-5BGM	8435668033664	Black gun metal
BDP048-5OC	8435668033688	Brushed gold
BDP048-5ORC	8435668033695	Brushed rose gold



CODE	NAME	MATERIAL	REF
1	Handle	Zinc	
2	Screw	SUS 304	
3	Decorative ring	Brass	
4	O-ring	NBR	
5	Decorative cup	Brass	
6	Nut	Brass	
7	Cartridge	35mm	CRT007*
8	Connect	Brass	
9	O-ring	NBR	
10	Body	Brass	
11	Nut	Brass	
12	O-ring	NBR	
13	Valve	SUS 304	
14	Rubber washer	NBR	
15	Cover	SUS 304	
16	Cabrio leg	SUS 304	
17	Hose	SUS 304	FLX001*
18	Rubber washer	NBR	
19	Shower seat	ABS	SMD007*
20	Shower hand	ABS	MDL001*

* CONSULTAR PARA ACABADOS DE COLOR

Installing instruction

Step 1. Connect curved leg with the inlet pipe inside the wall

Step 2. Connect decorative cover to curved leg

Step 3. Install shower faucet properly, and connect to curved leg on the wall

Step 4. Test function of shower set, clean the set

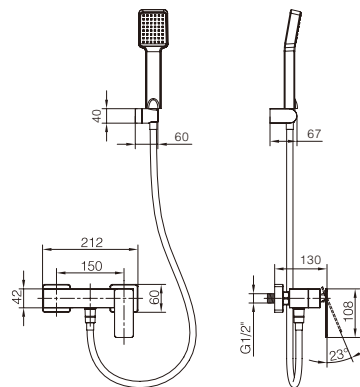
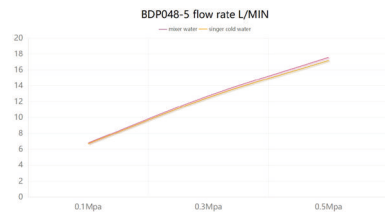
Usage function instruction

Hot Cold 90°

close open 23°

FLOW RATE

Detalles	
FLOW RATE REF	BDP048-5
mixer water 0.1Mpa(L/MIN)	6.78
mixer water 0.3Mpa(L/MIN)	10.96
mixer water 0.5Mpa(L/MIN)	14.9
singer cold water 0.1Mpa(L/MIN)	6.68
singer cold water 0.3Mpa(L/MIN)	12.5
singer cold water 0.5Mpa(L/MIN)	17.16



Product sizes (cm)	21.5*18*14
Weight (kg)	2.2
Guarantee	5 years
Max Preassure (bar)	5
Min Preassure (bar)	0.5
Optimum preassure (bar)	1-4 (Recommended 3)
Max. temperature	85°C
Min temperature	65°C

CERTIFIES

That all our products, provided that they are used in normal conditions or installed in accordance with current standards, are guaranteed against any manufacturing defect for a period of five years, except for products purchased before January 1, 2020, which will have the mandatory coverage of 2 years from the date of invoice.

Requirements and exclusions

Failure to comply with the instructions for assembly, use and maintenance of our products on the packaging and in our catalogue and published on our website: www.imexproducts.es, releases IMEX PRODUCTS, S.L. from any liability.

In any case, the acceptance of the defect by our technical department is necessary. In addition, transport costs will be charged only in the event that on IMEX PRODUCTS, S.L. technician determines the proper functioning of our products.

IMEX PRODUCTS, S.L. will decide to repair the product or replace it. It will be necessary to present the purchase invoice.

Assembly, maintenance or repairs carried out by non-specialists are excluded from the warranty.

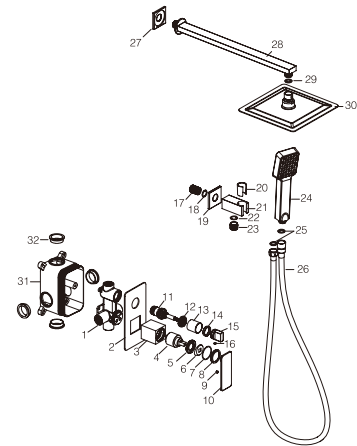
Wearing parts such as hoses, handles, seals, filters, aerators, etc. are not covered by the warranty.



PRODUCT INFORMATION SUMMARY



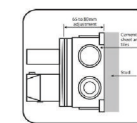
Ref.	EAN	Finish
GPP048	8435668035347	Chrome
GPP048/BGM	8435668035354	Black gun metal
GPP048/OC	8435668035378	Brushed gold
GPP048/ORC	8435668035385	Brushed rose gold



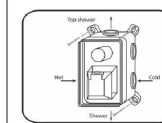
CODE	NAME	MATERIAL	REF	CODE	NAME	MATERIAL	REF
1	Body	Brass		20	ABS washer	ABS	
2	Decorative plate	SUS 304		21	Body	Brass	
3	Cartridge cover	Brass		22	O-ring	NBR	
4	Cartridge	35mm	CRT006*	23	Connect	Brass	
5	Nut	Brass		24	Shower hand	ABS	MDL001*
6	Decorative cup	ABS		25	Rubber ring	NBR	
7	O-ring	NBR		26	Hose	SUS 304	FLX005*
8	Decorative ring	Brass		27	Cover	SUS 304	
9	Screw	SUS 304		28	Hose	SUS 304	
10	Handle	Zinc		29	Rubber ring	NBR	
11	Cartridge	Brass/27mm		30	Shower ring	NBR	RDC002*
12	Nut	Brass		31	BOX	ABS	
13	Cover	Brass		32	Rubber ring	NBR	
14	ABS washer	ABS					
15	Handle	Zinc					
16	Screw	SUS 304					
17	Connect	Brass					
18	O-ring	NBR					
19	Cover	Brass					

* CONSULTAR PARA ACABADOS DE COLOR

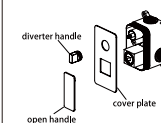
Installing instruction



Step 1. Connect curved leg with the inlet pipe inside the wall



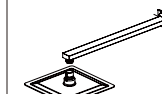
Step 2. Connect decorative cover to curved leg



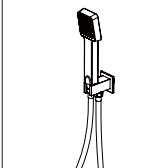
Step 3. Install shower faucet properly, and connect to curved leg on the wall



Step 4. Install shower pipe according to the distance of fix part

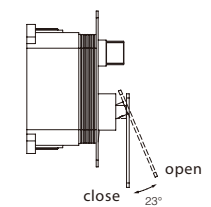
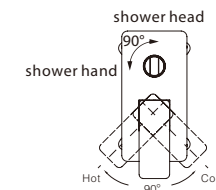


Step 5. Install shower hand and shower head to the set



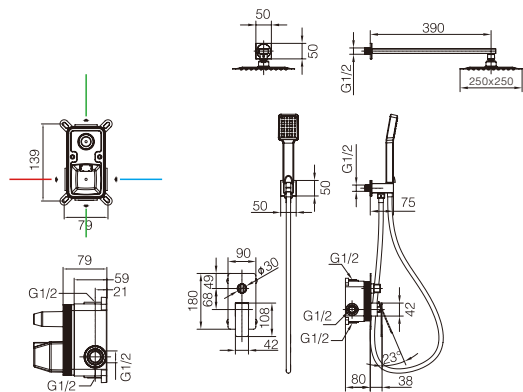
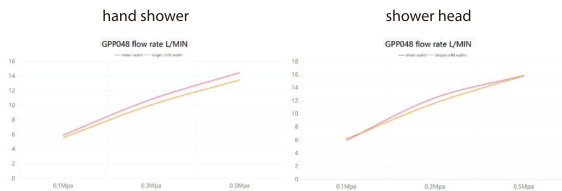
Step 6. Test function of shower set, clean the set

Usage function instruction



FLOW RATE

Detalles	
FLOW RATE REF	GPP048
hand shower mixer water 0.1Mpa(L/MIN)	5.95
hand shower mixer water 0.3Mpa(L/MIN)	10.85
hand shower mixer water 0.5Mpa(L/MIN)	14.5
hand shower singer cold water 0.1Mpa(L/MIN)	5.6
hand shower singer cold water 0.3Mpa(L/MIN)	10.1
hand shower singer cold water 0.5Mpa(L/MIN)	13.5
shower head mixer water 0.1Mpa(L/MIN)	6
shower head mixer water 0.3Mpa(L/MIN)	12.5
shower head mixer water 0.5Mpa(L/MIN)	15.9
shower head singer cold water 0.1Mpa(L/MIN)	6.2
shower head singer cold water 0.3Mpa(L/MIN)	11.7
shower head singer cold water 0.5Mpa(L/MIN)	15.5



Product sizes (cm)	43*30*14
Weight (kg)	4.6
Guarantee	5 years
Max Pressure (bar)	5
Min Pressure (bar)	0.5
Optimum pressure (bar)	1-4 (Recommended 3)
Max. temperature	85°C
Min temperature	65°C

CERTIFIES

That all our products, provided that they are used in normal conditions or installed in accordance with current standards, are guaranteed against any manufacturing defect for a period of five years, except for products purchased before January 1, 2020, which will have the mandatory coverage of 2 years from the date of invoice.

Requirements and exclusions

Failure to comply with the instructions for assembly, use and maintenance of our products on the packaging and in our catalogue and published on our website: www.imexproducts.es, releases IMEX PRODUCTS, S.L. from any liability.

In any case, the acceptance of the defect by our technical department is necessary. In addition, transport costs will be charged only in the event that on IMEX PRODUCTS, S.L. technician determines the proper functioning of our products.

IMEX PRODUCTS, S.L. will decide to repair the product or replace it. It will be necessary to present the purchase invoice.

Assembly, maintenance or repairs carried out by non-specialists are excluded from the warranty.

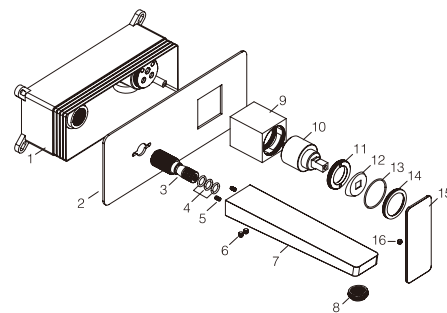
Wearing parts such as hoses, handles, seals, filters, aerators, etc. are not covered by the warranty.



PRODUCT INFORMATION SUMMARY



Ref.	EAN	Finish
GLP048	8435668035101	Chrome
GLP048/BGM	8435668035118	Black gun metal
GLP048/OC	8435668035132	Brushed gold
GLP048/ORC	8435668035149	Brushed rose gold



CODE	NAME	MATERIAL	REF
1	Box	ABS	
2	Decorative plate	SUS 304	
3	Connect	Brass	
4	O-ring	NBR	
5	Screw	SUS 304	
6	Screw	SUS 304	
7	Spout	Brass	
8	Aerator	M24*1mm	SAT-AIR019*
9	Cartridge cover	Brass	
10	Cartridge	35mm	CRT006*
11	Nut	Brass	
12	Decorative cup	ABS	
13	O-ring	NBR	
14	Decorative ring	Brass	
15	Handle	Zinc	
16	Screw	SUS 304	

* CONSULTAR PARA ACABADOS DE COLOR

Installing instruction

Step 1. Check all spare parts
1-pipe
2-body
3-handle
4-cover plate
5-connect

Step 1. Connect curved leg with the inlet pipe inside the wall

Step 2. Connect decorate cover to curved leg

Step 3. Install shower faucet properly, and connect to curved leg on the wall

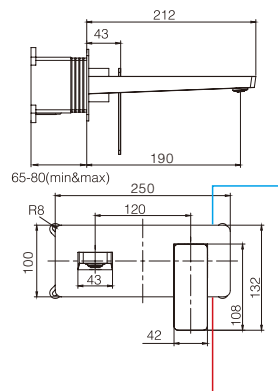
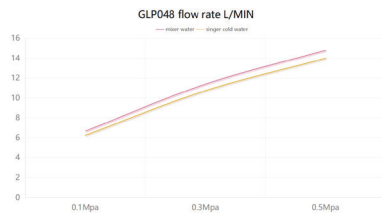
Usage function instruction

open 23° close

Hot 90° Cold

FLOW RATE

Detalles	
FLOW RATE REF	GLP048
mixer water 0.1Mpa(L/MIN)	6.65
mixer water 0.3Mpa(L/MIN)	11.38
mixer water 0.5Mpa(L/MIN)	14.79
singer cold water 0.1Mpa(L/MIN)	6.23
singer cold water 0.3Mpa(L/MIN)	10.72
singer cold water 0.5Mpa(L/MIN)	13.98



Product sizes (cm)	29*17.5*6.7
Weight (kg)	2.6
Guarantee	5 years
Max Preassure (bar)	5
Min Preassure (bar)	0.5
Optimum preassure (bar)	1-4 (Recommended 3)
Max. temperature	85°C
Min temperature	65°C

CERTIFIES

That all our products, provided that they are used in normal conditions or installed in accordance with current standards, are guaranteed against any manufacturing defect for a period of five years, except for products purchased before January 1, 2020, which will have the mandatory coverage of 2 years from the date of invoice.

Requirements and exclusions

Failure to comply with the instructions for assembly, use and maintenance of our products on the packaging and in our catalogue and published on our website: www.imexproducts.es, releases IMEX PRODUCTS, S.L. from any liability.

In any case, the acceptance of the defect by our technical department is necessary. In addition, transport costs will be charged only in the event that on IMEX PRODUCTS, S.L. technician determines the proper functioning of our products.

IMEX PRODUCTS, S.L. will decide to repair the product or replace it. It will be necessary to present the purchase invoice.

Assembly, maintenance or repairs carried out by non-specialists are excluded from the warranty.

Wearing parts such as hoses, handles, seals, filters, aerators, etc. are not covered by the warranty.

